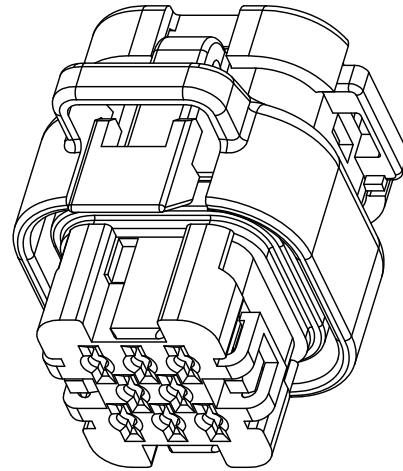
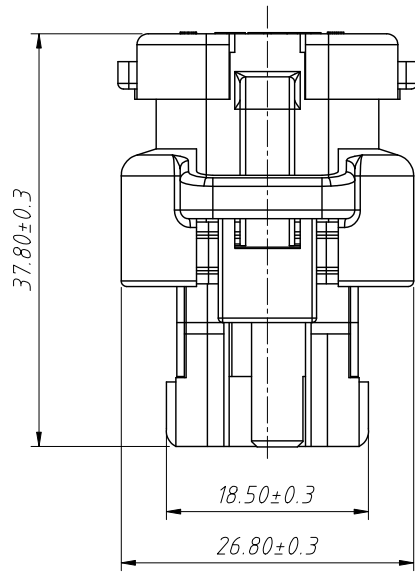


1 RoHS Compliance

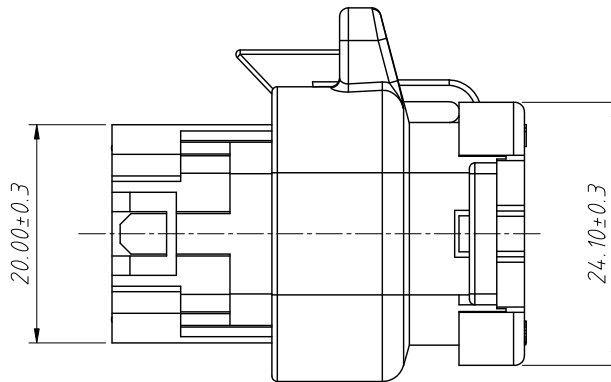
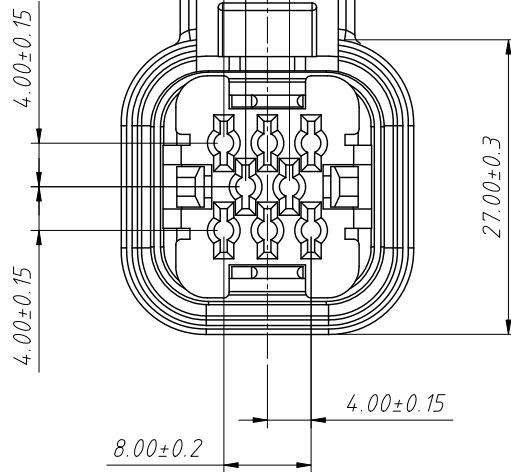


Material:
Housing:PBT,Black.

Technical Features:

1. No of Positions:8P
2. Applicable Terminal P/N:L-KLS13-CA004-T
3. Wire Range:AVSS,AVSSH-F 0.5~1.25mm²
4. Temperature Range:-40°C to 125°C
5. Fully sealed and submersible IP67rating

2.00±0.15 4.00±0.15



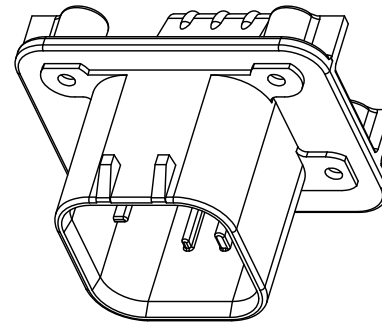
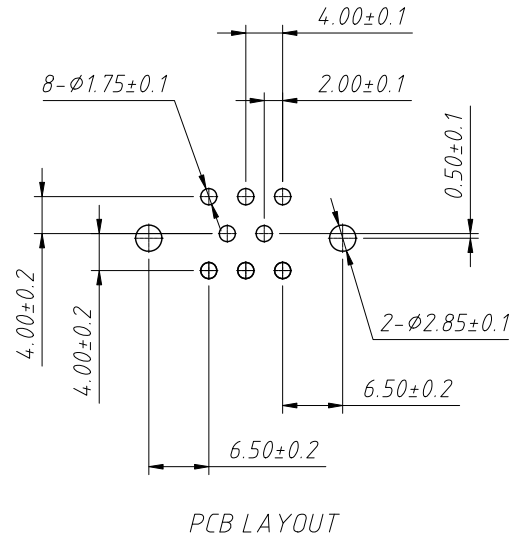
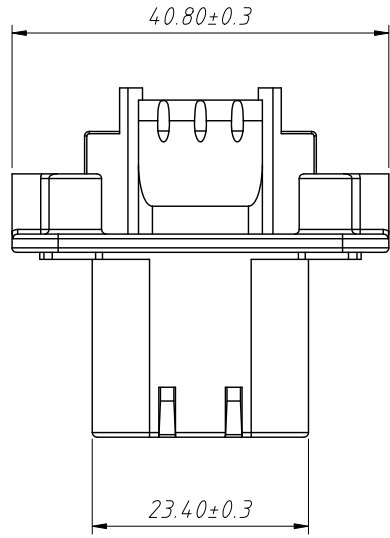
Order Information:

L-KLS13-CA004-08-H-IP67

L: RoHS
Serial No
XX-No.of pins
Type:
H-Housing
S-Vertical Header
R-Horizontal Header
T-Terminal
Waterproof:IP67 Rating

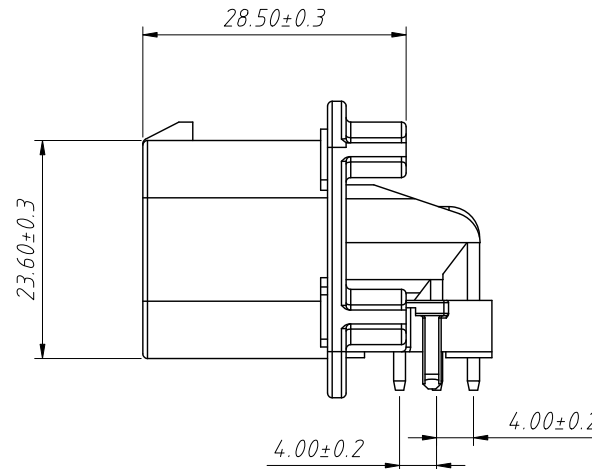
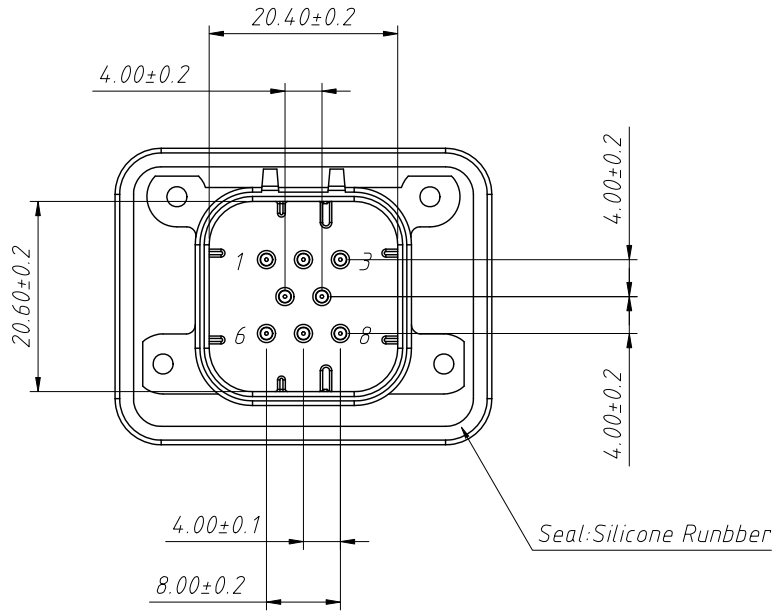
ANGLE TOLERANCE	PROJECTION	Description:	8 Pin AMPSEAL Connector Housing,Black	
±3°				
GENERAL TOLERANCE	UNITS	mm	KLS P/N:	L-KLS13-CA004-08-H-IP67
x.x ±0.30	SHEET SIZE	A4		
x.xx ±0.20	Draw:	Daniel	2018-07-10	NingBo KLS ELECTRONIC CO.,LTD.
x.xxx ±0.10	Check:	Daniel	2018-07-10	

1 RoHS Compliance



Material:
Housing:PBT,Black
Contacts: Brass
Finish:Pre-Tin

- Technical Features:
1. No of Positions:8P
 2. The Mating Female Housing
P/N:L-KLS13-CA004-08-H
 3. Current Rating:17A
 4. Temperature Range:-40°C to 125°C
 5. Fully sealed and submersible IP67rating

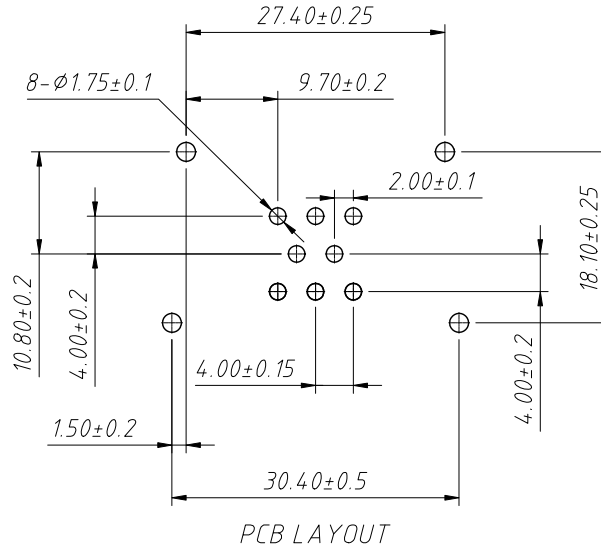
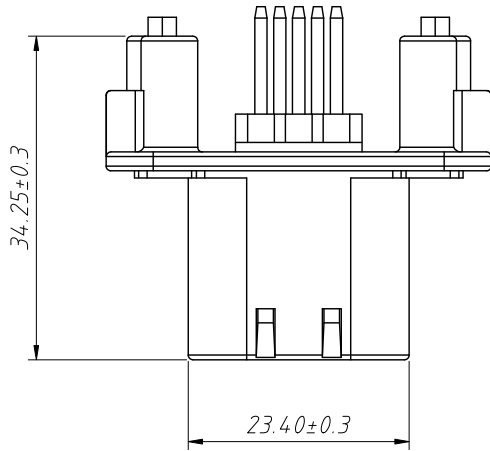


Order Information:
L-KLS13-CA004-08-R-IP67

L: RoHS
Serial No
XX-No. of pins
Type:
H-Housing T-Terminal
S-Vertical Header
R-Horizontal Header
Waterproof:IP67 Rating

ANGLE TOLERANCE	PROJECTION	Description:	8 Pin AMPSEAL Connector Horizontal HEADER ,Black	
±3°				
GENERAL TOLERANCE	UNITS	mm	KLS P/N:	L-KLS13-CA004-08-R-IP67
x.x ±0.30	SHEET SIZE	A4		
x.xx ±0.20	Draw:	Daniel	2018-07-10	
x.xxx ±0.10	Check:	Daniel	2018-07-10	
			NingBo KLS ELECTRONIC CO.,LTD.	

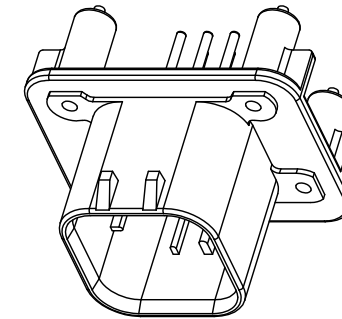
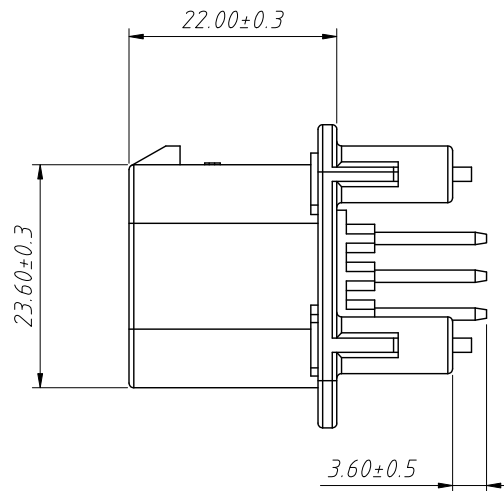
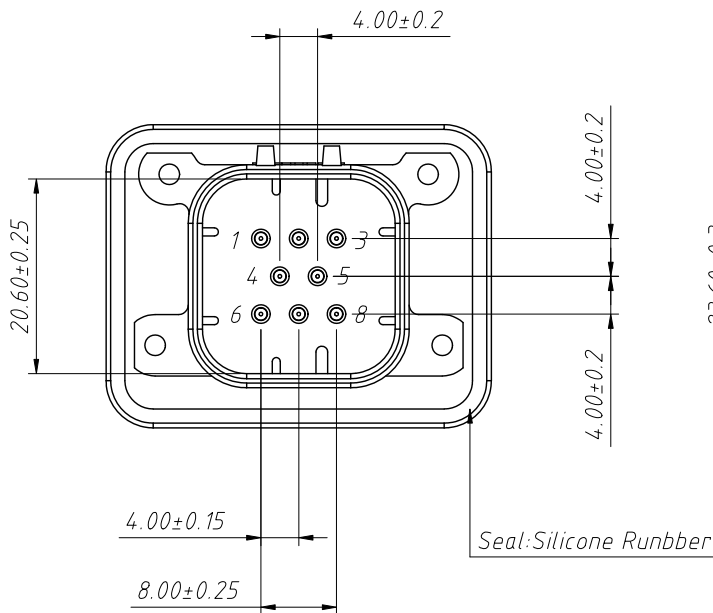
RoHS Compliance



Material:
Housing:PBT,Black
Contacts: Brass
Finish:Pre-Tin

Technical Features:

1. No of Positions:8P
2. The Mating Female Housing
P/N:L-KLS13-CA004-08-H
3. Current Rating:8A
4. Temperature Range:-40°C to 125°C
5. Fully sealed and submersible IP67rating



Order Information:

L-KLS13-CA004-08-S-IP67

L: RoHS

Serial No

XX-No.of pins

Type:

H-Housing

S-Vertical Header

R-Horizontal Header

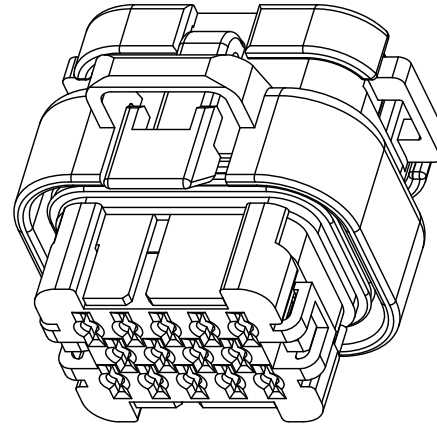
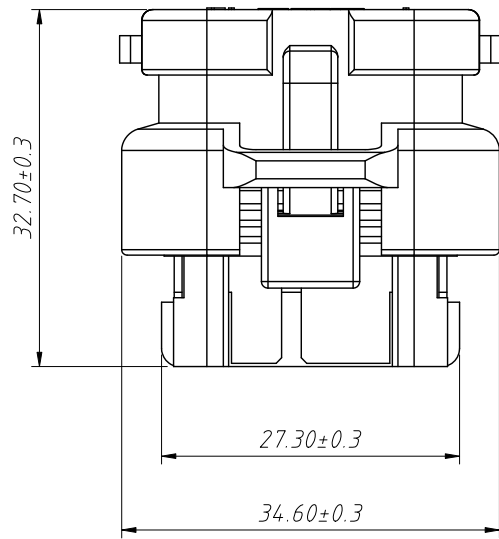
T-Terminal

Waterproof:IP67 Rating

With Flange Seal

ANGLE TOLERANCE	PROJECTION	Description:	8 Pin AMPSEAL Connector Vertical Header ,Black
±3°			
GENERAL TOLERANCE	UNITS	mm	L-KLS13-CA004-08-S-IP67
x.x ±0.30	SHEET SIZE	A4	
x.xx ±0.20	Draw:	Daniel	NingBo KLS ELECTRONIC CO.,LTD.
x.xxx ±0.10	Check:	Daniel	

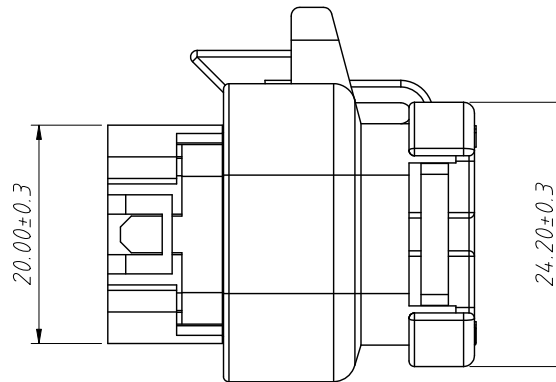
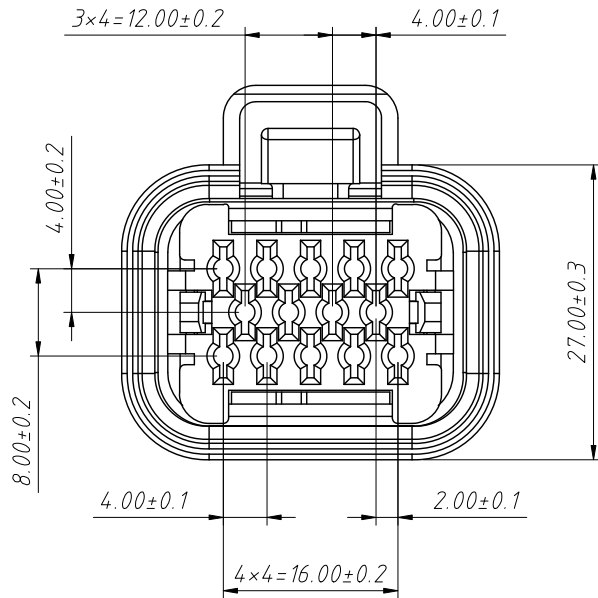
RoHS Compliance



Material:
Housing:PBT,Black.

Technical Features:

1. No of Positions:14P
2. Applicable Terminal P/N:L-KLS13-CA004-T
3. Wire Range:AVSS,AVSSH-F 0.5~1.25mm²
4. Temperature Range:-40°C to 125°C
5. Fully sealed and submersible IP67rating



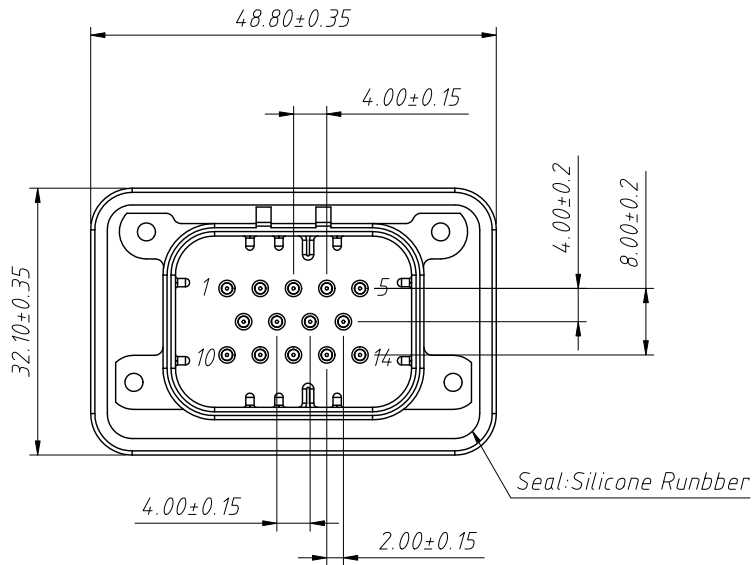
Order Information:

L-KLS13-CA004-14-H-IP67

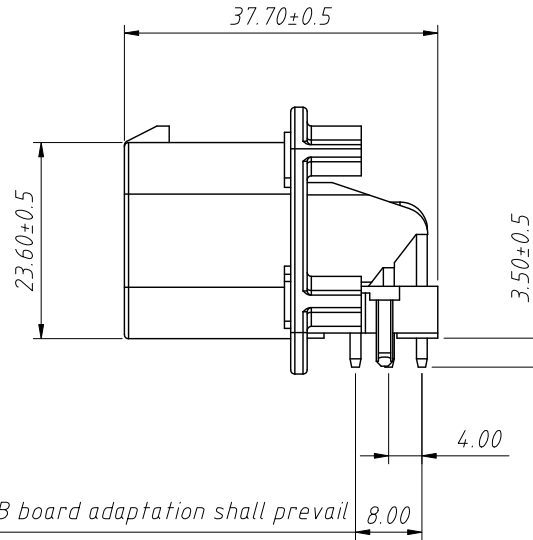
L: RoHS
Serial No
XX-No.of pins
Type:
H-Housing
S-Vertical Header
R-Horizontal Header
T-Terminal
Waterproof:IP67 Rating

ANGLE TOLERANCE	PROJECTION	Description:	14 Pin AMPSEAL Connector Housing,Black	
±3°				
GENERAL TOLERANCE	UNITS	mm	KLS P/N:	L-KLS13-CA004-14-H-IP67
x.x ±0.30	SHEET SIZE	A4		
x.xx ±0.20	Draw:	Daniel	2018-07-10	NingBo KLS ELECTRONIC CO.,L TD.
x.xxx ±0.10	Check:	Daniel	2018-07-10	

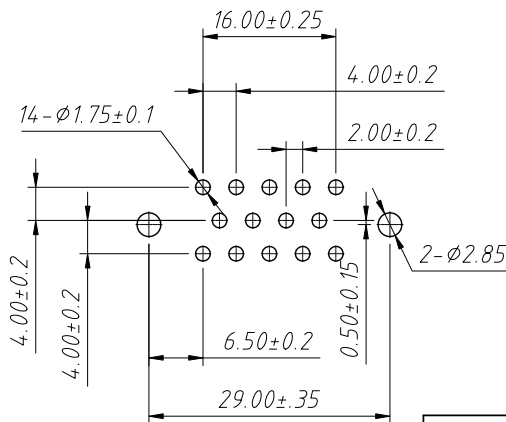
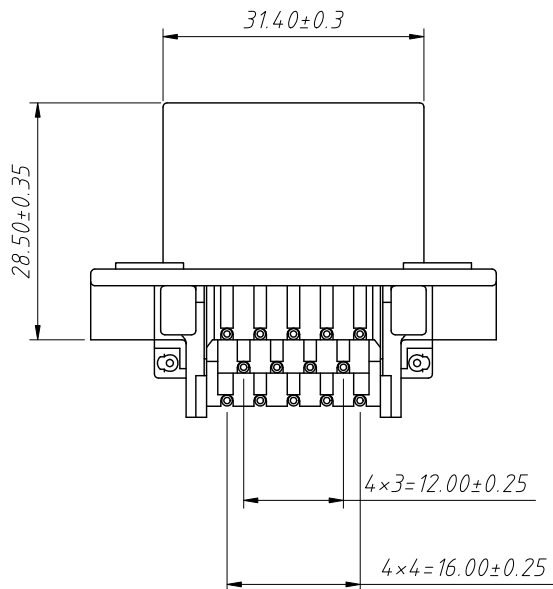
1 RoHS Compliance



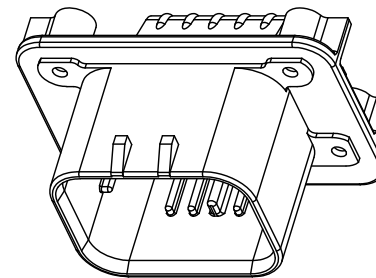
With Flange Seal



PCB board adaptation shall prevail



PCB LAYOUT



Material:
Housing: PBT, Black
Contacts: Brass
Finish: Pre-Tin

Technical Features:

1. No of Positions: 14P
2. The Mating Female Housing
P/N: L-KLS13-CA004-14-H
3. Current Rating: 8A
4. Temperature Range: -40°C to 125°C
5. Fully sealed and submersible IP67 rating

Order Information:

L-KLS13-CA004-14-R-IP67

L: RoHS

Serial No

XX-No. of pins

Type:

H-Housing T-Terminal

S-Vertical Header

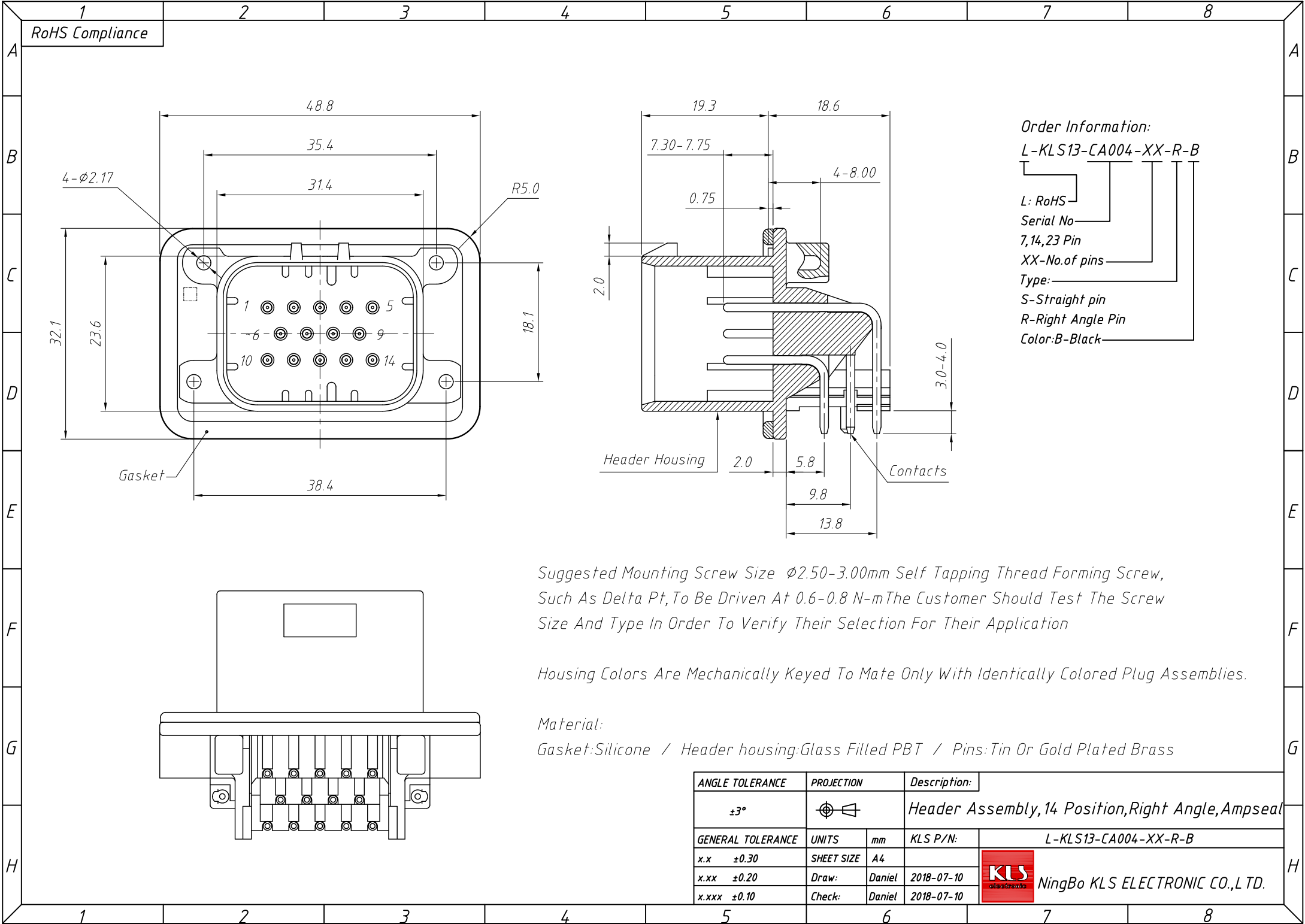
R-Horizontal Header

Waterproof: IP67 Rating

ANGLE TOLERANCE	PROJECTION	Description:	
±3°			14 Pin AMPSEAL Connector Horizontal HEADER, Black
GENERAL TOLERANCE	UNITS	mm	KLS P/N:
x.x ±0.30	SHEET SIZE	A4	L-KLS13-CA004-14-R-IP67
x.xx ±0.20	Draw:	Daniel	2018-07-10
x.xxx ±0.10	Check:	Daniel	2018-07-10



NingBo KLS ELECTRONIC CO.,LTD.



Order Information:
L-KLS13-CA004-XX-R-B

L: RoHS
 Serial No
 7,14,23 Pin
 XX-No.of pins
 Type:
 S-Straight pin
 R-Right Angle Pin
 Color:B-Black

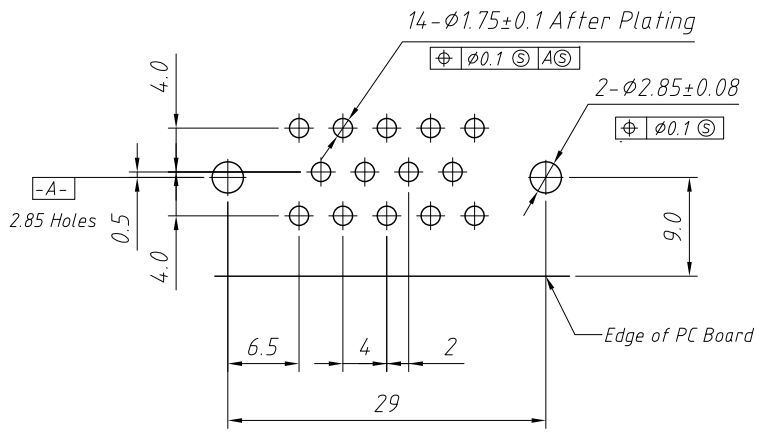
Suggested Mounting Screw Size φ2.50-3.00mm Self Tapping Thread Forming Screw, Such As Delta Pt, To Be Driven At 0.6-0.8 N-m The Customer Should Test The Screw Size And Type In Order To Verify Their Selection For Their Application

Housing Colors Are Mechanically Keyed To Mate Only With Identically Colored Plug Assemblies.

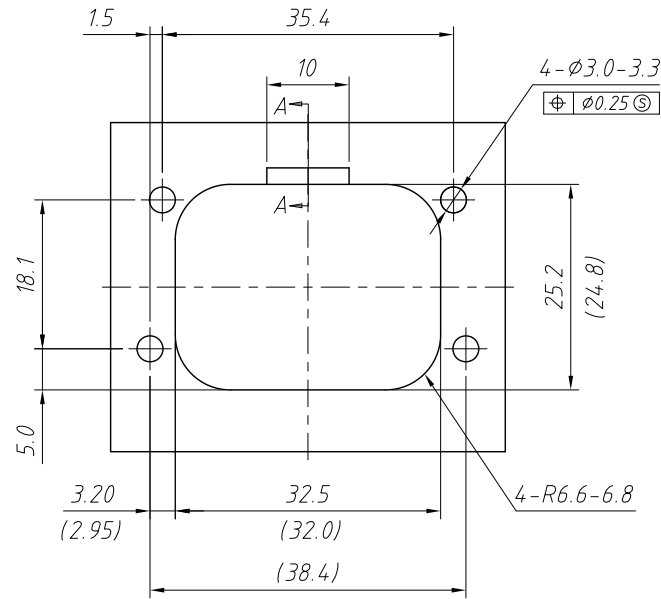
*Material:
 Gasket:Silicone / Header housing:Glass Filled PBT / Pins:Tin Or Gold Plated Brass*

ANGLE TOLERANCE		PROJECTION		Description:	
±3°				Header Assembly,14 Position,Right Angle,Ampseal	
GENERAL TOLERANCE		UNITS	mm	KLS P/N:	L-KLS13-CA004-XX-R-B
x.x	±0.30	SHEET SIZE	A4		
x.xx	±0.20	Draw:	Daniel	2018-07-10	NingBo KLS ELECTRONIC CO.,L TD.
x.xxx	±0.10	Check:	Daniel	2018-07-10	

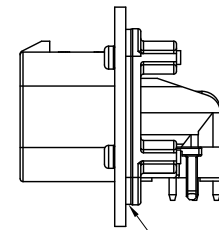
1
RoHS Compliance



Recommended PC Board Layout
For 1.57 PC Board

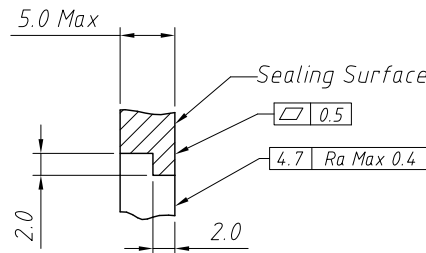
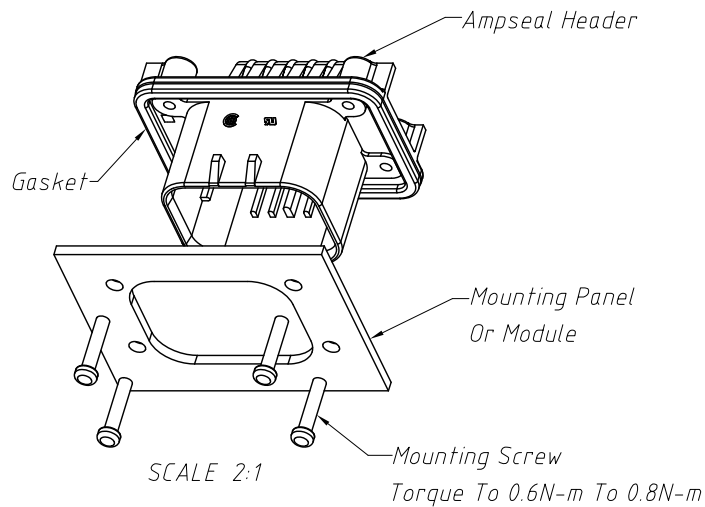


Recommended Mounting Hole Layout
For 5.0 Max Thick Panel

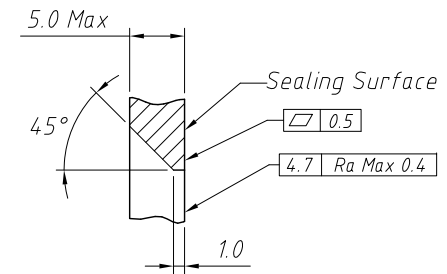


SCALE 2:1

Ensure The Header Is Flush
To The Panel Face All Around
Before Tightening To Final Torque



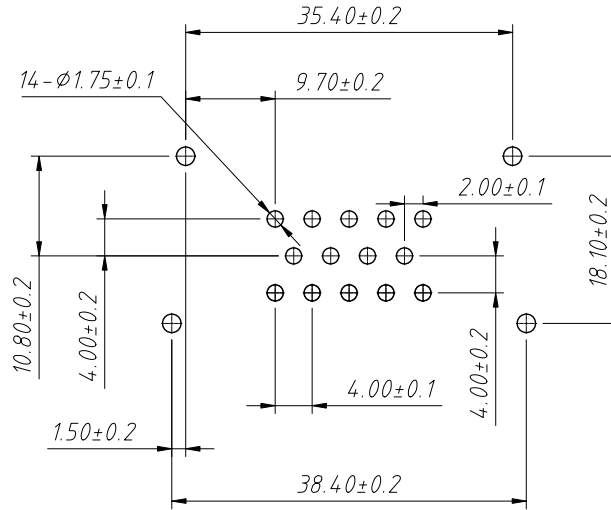
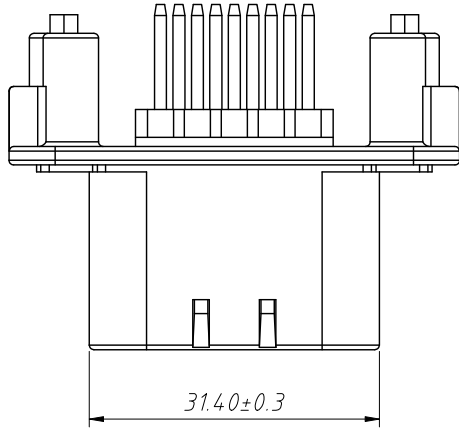
Section A-A
Optional Construction If
Thickness Is Greater Than 2.0



Section A-A
Optional Construction If
Thickness Is Greater Than 2.0

ANGLE TOLERANCE	PROJECTION	Description:	
±3°		Header Assembly, 14 Position, Right Angle, Ampseal	
GENERAL TOLERANCE	UNITS	mm	KLS P/N: L-KLS13-CA004-XX-R-B
x.x ±0.30	SHEET SIZE	A4	NingBo KLS ELECTRONIC CO.,L TD.
x.xx ±0.20	Draw:	Daniel	
x.xxx ±0.10	Check:	Daniel	

1 RoHS Compliance

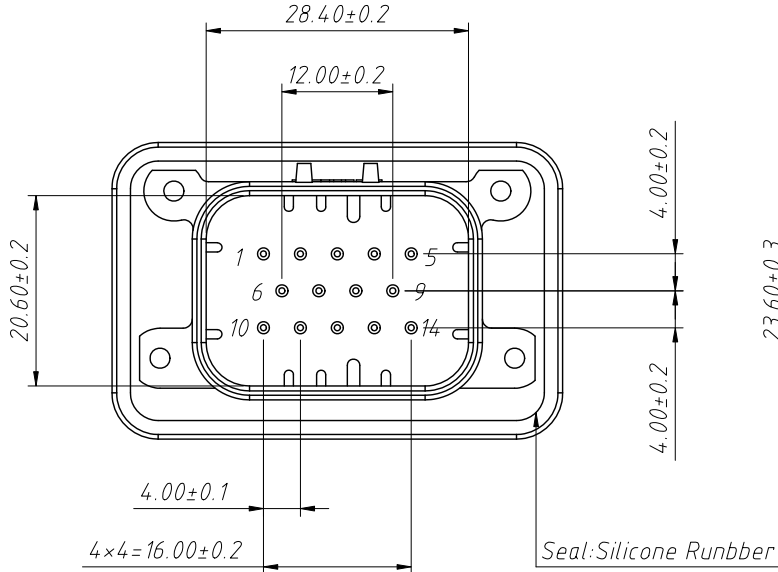


PCB LAYOUT

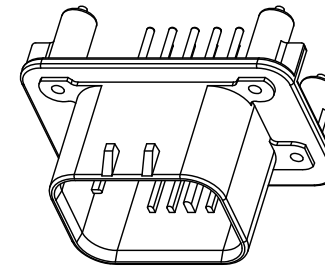
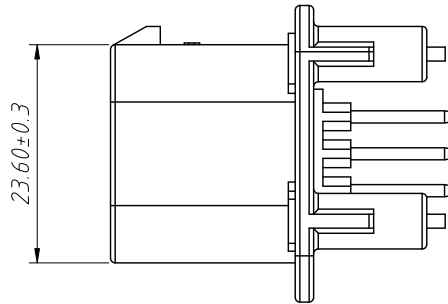
Material:
Housing: PBT, Black
Contacts: Brass
Finish: Pre-Tin

Technical Features:

1. No of Positions: 14P
2. The Mating Female Housing
P/N: L-KLS13-CA004-14-H
3. Current Rating: 17A
4. Temperature Range: -40°C to 125°C
5. Fully sealed and submersible IP67 rating



With Flange Seal



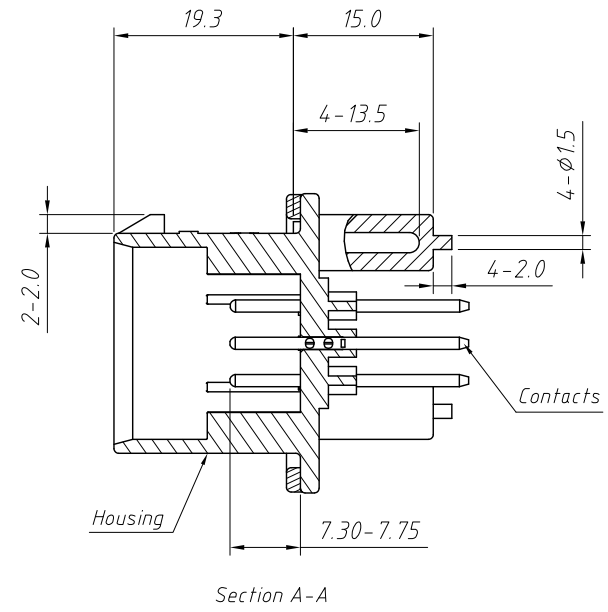
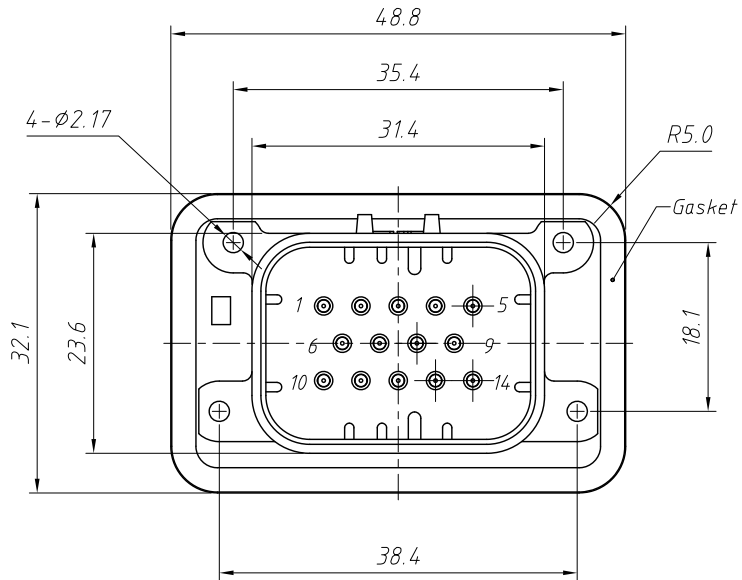
Order Information:

L-KLS13-CA004-14-S-IP67

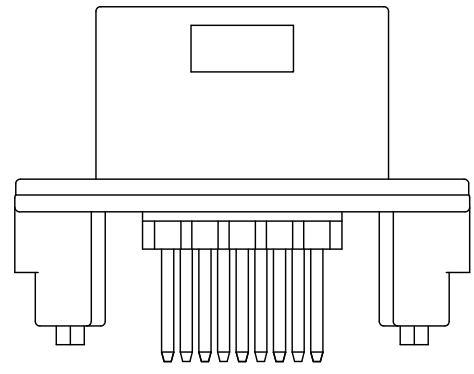
L: RoHS
Serial No
XX-No. of pins
Type:
H-Housing
S-Vertical Header
R-Horizontal Header
T-Terminal
Waterproof: IP67 Rating

ANGLE TOLERANCE	PROJECTION	Description:	14 Pin AMPSEAL Connector Vertical Header, Black
±3°			
GENERAL TOLERANCE	UNITS	mm	L-KLS13-CA004-14-S-IP67
x.x ±0.30	SHEET SIZE	A4	
x.xx ±0.20	Draw:	Daniel	NingBo KLS ELECTRONIC CO.,L TD.
x.xxx ±0.10	Check:	Daniel	

1
RoHS Compliance



Order Information:
L-KLS13-CA004-14-S-B
 L: RoHS
 Serial No
 7,14,23 Pin
 XX-No. of pins
 Type:
 S-Straight pin
 R-Right Angle Pin
 Color:B-Black

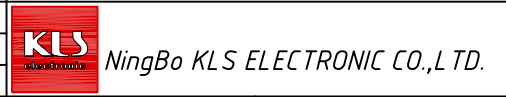


Suggested Mounting Screw Size Is φ2.50-3.00mm Self Tapping Thread Forming Screw, Such As Delta Pt, To Be Driven At 0.6-0.8 N-m The Customer Should Test The Screw Size And Type In Order To Verify Their Selection For Their Application

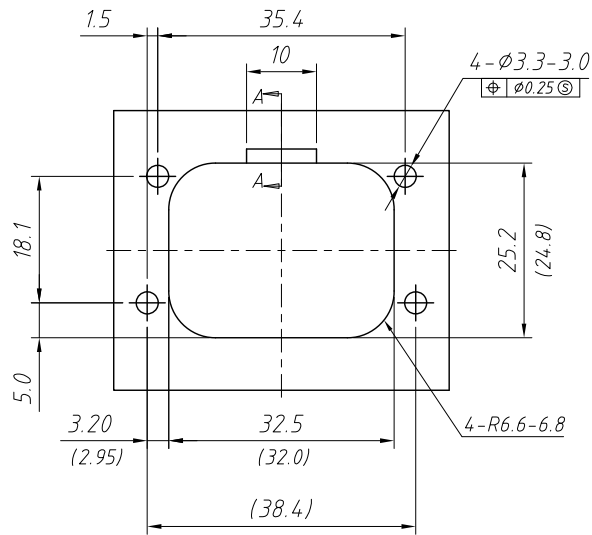
Housing Colors Are Mechanically Keyed To Mate Only With Identically Colored Plug Assemblies.

*Material:
 Gasket:Silicone / Header housing:Glass Filled PBT / Pins:Tin Or Gold Plated Brass*

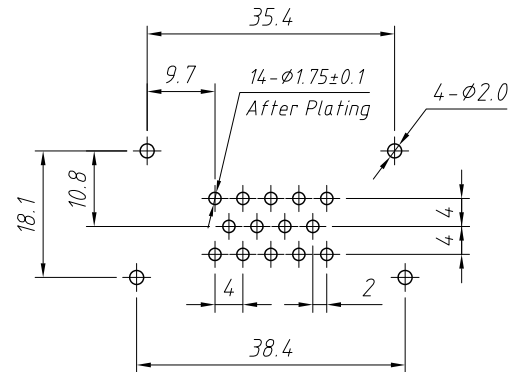
ANGLE TOLERANCE	PROJECTION	Description:	
±3°		Header Assembly, 14 Position, Straight pin, Ampseal	
GENERAL TOLERANCE	UNITS	mm	KLS P/N:
x.x ±0.30	SHEET SIZE	A4	L-KLS13-CA004-14-S-B
x.xx ±0.20	Draw:	Daniel	2018-07-10
x.xxx ±0.10	Check:	Daniel	2018-07-10



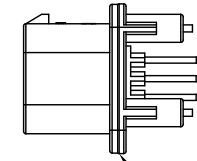
1 RoHS Compliance



Recommended Mounting Hole Layout
For 5.0 Max Thick Panel

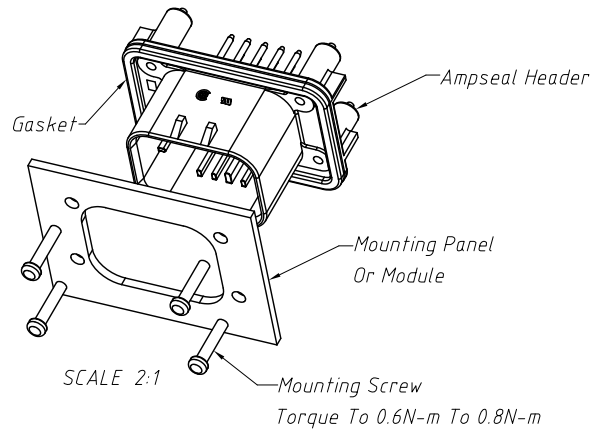


Recommended PC Board Layout
For 1.57 PC Board



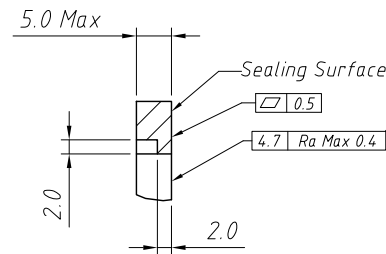
SCALE 2:1

Ensure The Header Is Flush
To The Panel Face All Around
Before Tightening To Final Torque

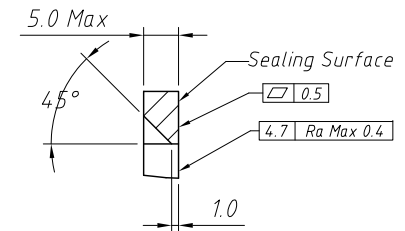


SCALE 2:1

Mounting Screw
Torque To 0.6N-m To 0.8N-m



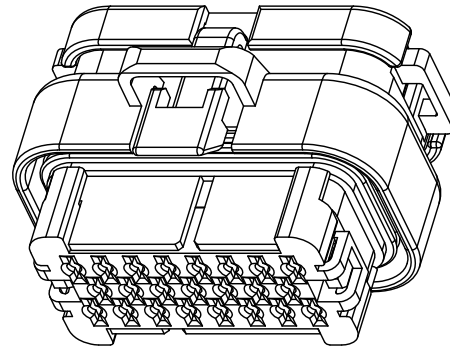
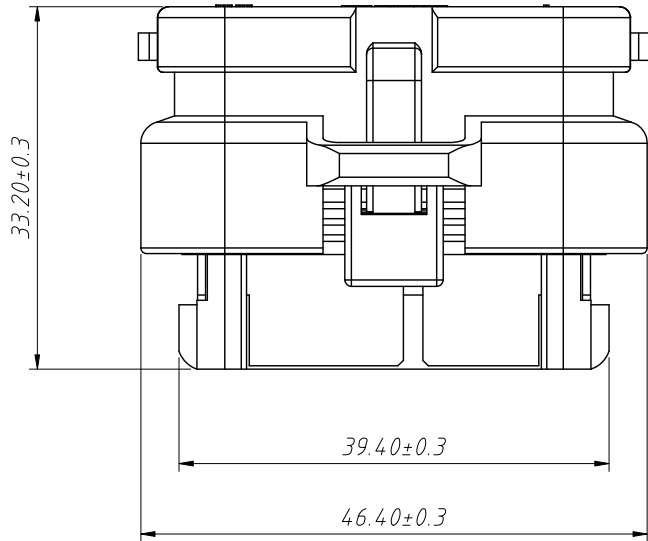
Section A-A
Optional Construction If Panel
Thickness Is Greater Than 2.0



Section A-A
Optional Construction If Panel
Thickness Is Greater Than 2.0

ANGLE TOLERANCE	PROJECTION	Description:		
±3°		Header Assembly, 14 Position, Straight pin, Ampseal		
GENERAL TOLERANCE	UNITS	mm	KLS P/N: L-KLS13-CA004-14-S-B	
x.x ±0.30	SHEET SIZE	A4	NingBo KLS ELECTRONIC CO.,L TD.	
x.xx ±0.20	Draw:	Daniel		2018-07-10
x.xxx ±0.10	Check:	Daniel		2018-07-10

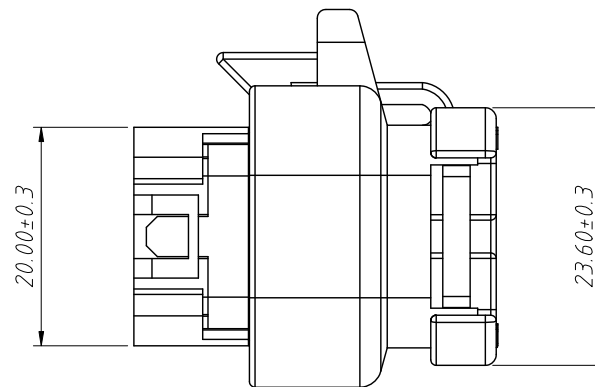
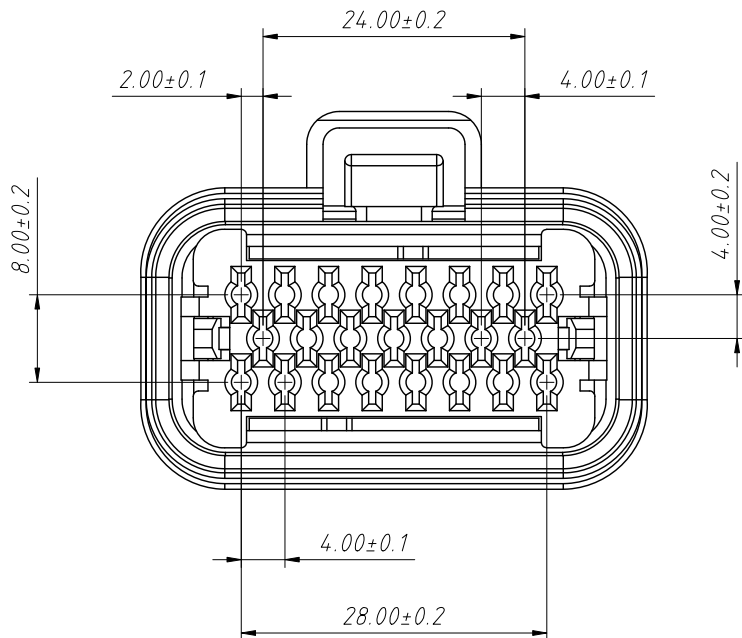
RoHS Compliance



Material:
Housing:PBT,Black.

Technical Features:

1. No of Positions:23P
2. Applicable Terminal P/N :L-KLS13-CA004-T
3. Wire Range:AVSS,AVSSH-F 0.5~1.25mm²
4. Temperature Range:-40°C to 125°C
5. Fully sealed and submersible IP67rating



Order Information:

L-KLS13-CA004-23-H-IP67

L: RoHS

Serial No

XX-No.of pins

Type:

H-Housing T-Terminal

S-Vertical Header

R-Horizontal Header

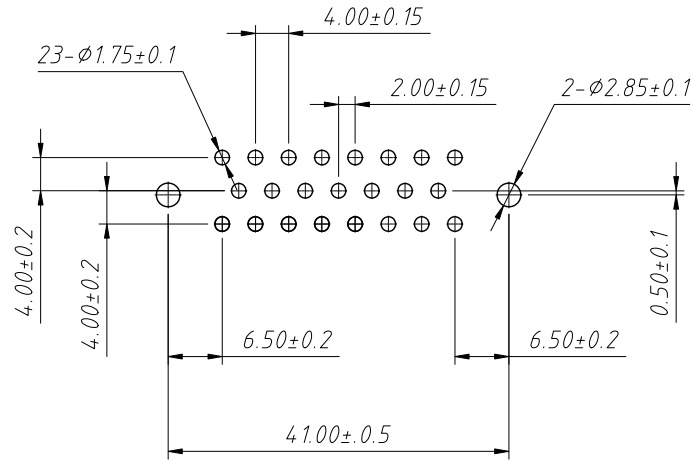
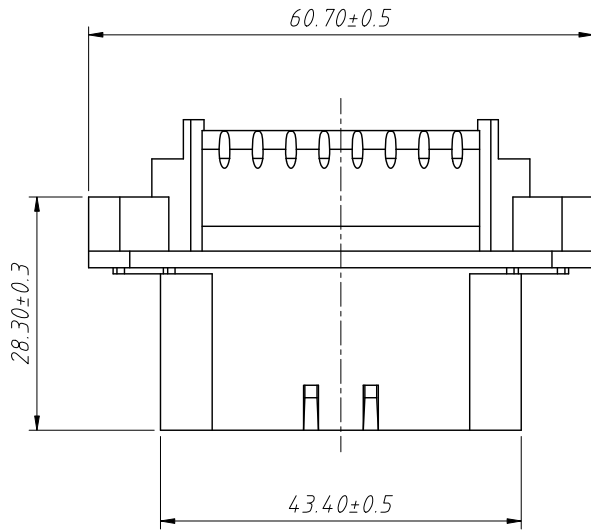
Waterproof:IP67 Rating

ANGLE TOLERANCE	PROJECTION	Description:	23 Pin AMPSEAL Connector Housing,Black
±3°			
GENERAL TOLERANCE	UNITS	mm	KLS P/N: L-KLS13-CA004-23-H-IP67
x.x ±0.30	SHEET SIZE	A4	
x.xx ±0.20	Draw:	Daniel	2018-07-10
x.xxx ±0.10	Check:	Daniel	2018-07-10



NingBo KLS ELECTRONIC CO.,LTD.

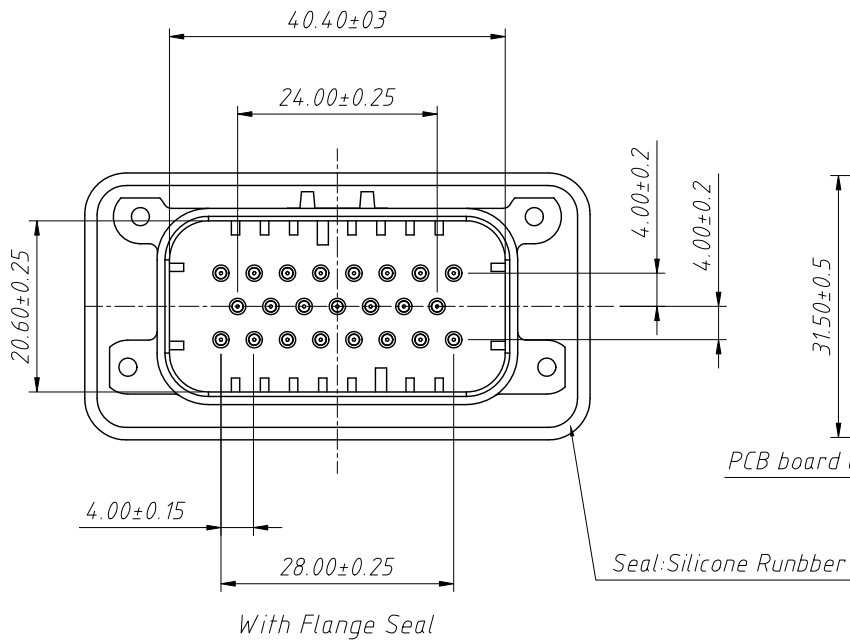
RoHS Compliance



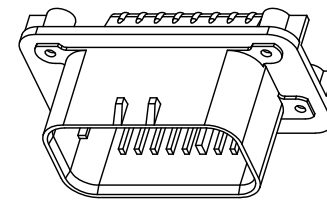
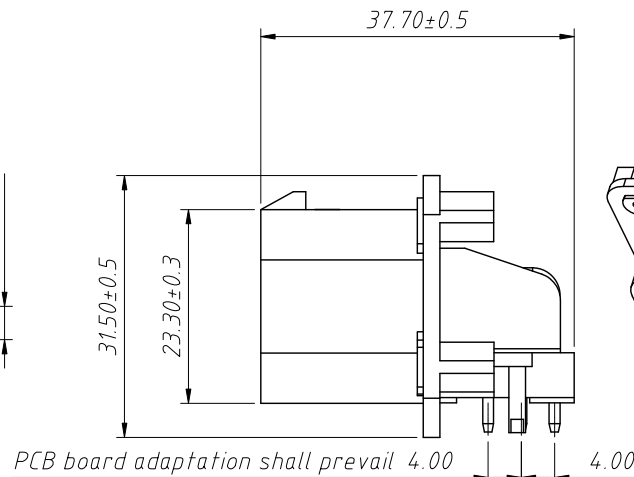
PCB LAYOUT

Material:
Housing: PBT, Black
Contacts: Brass
Finish: Pre-Tin

- Technical Features:
- No of Positions: 23P
 - The Mating Female Housing
P/N: L-KLS13-CA004-23-H
 - Current Rating: 8A
 - Temperature Range: -40°C to 125°C
 - Fully sealed and submersible IP67 rating



With Flange Seal

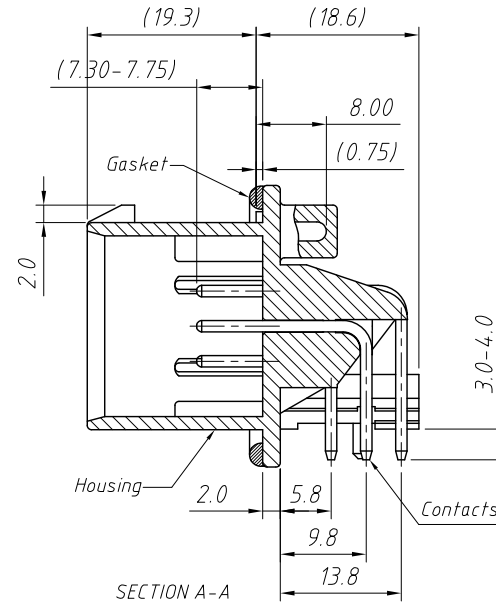
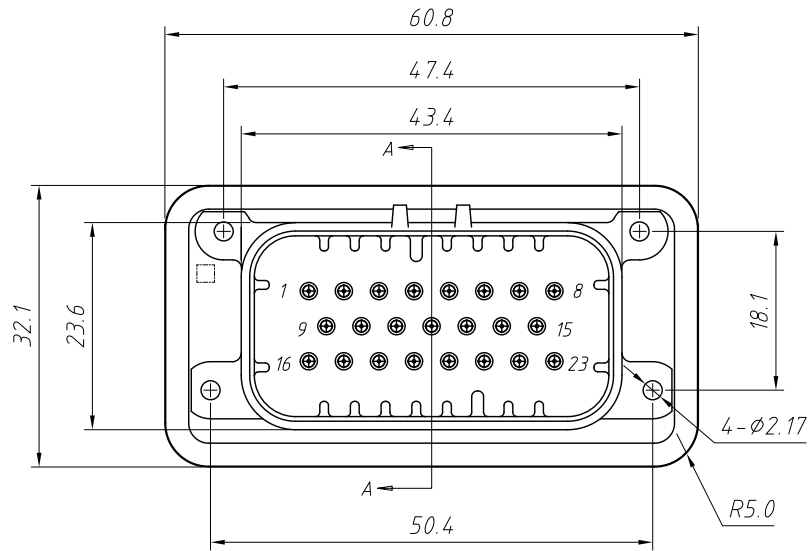


Order Information:
L-KLS13-CA004-23-R-IP67

L: RoHS
Serial No
XX-No. of pins
Type:
H-Housing T-Terminal
S-Vertical Header
R-Horizontal Header
Waterproof: IP67 Rating

ANGLE TOLERANCE	PROJECTION	Description:	23 Pin AMPSEAL Connector Horizontal HEADER, Black
±3°			
GENERAL TOLERANCE	UNITS	mm	L-KLS13-CA004-23-R-IP67
x.x ±0.30	SHEET SIZE	A4	
x.xx ±0.20	Draw:	Daniel	NingBo KLS ELECTRONIC CO.,LTD.
x.xxx ±0.10	Check:	Daniel	

1 RoHS Compliance



Order Information:

L-KLS13-CA004-23-R-B

L: RoHS

Serial No

7,14,23 Pin

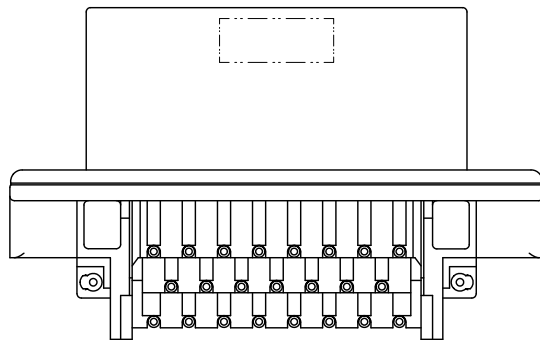
XX-No. of pins

Type:

S-Straight pin

R-Right Angle Pin

Color:B-Black



Accepts Screw Size $\phi 2.50\text{mm}$ Self Tapping Thread Forming Screw,
To Be Driven At 0.6-0.8 N-m

Housing Colors Are Mechanically Keyed To Mate Only
With Identically Colored Plug Assemblies.

Materials:

Header Housing :Glass Filled PBT

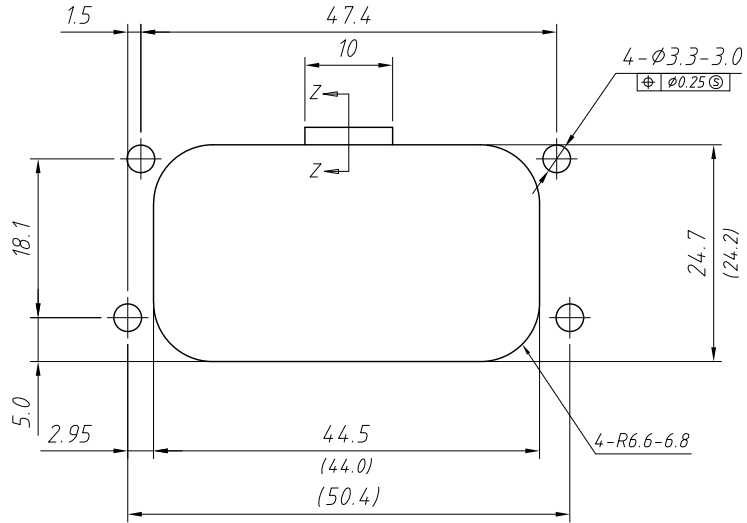
Pins: Tin Or Gold Plated Brass

Gasket :Silicone

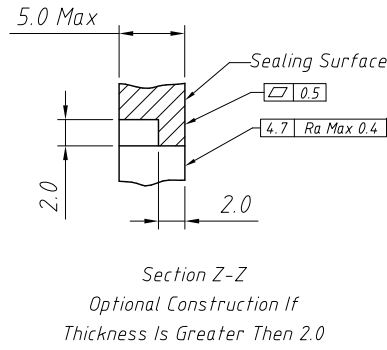
ANGLE TOLERANCE	PROJECTION	Description:
$\pm 3^\circ$		Header Assembly,23 Position,Right Angle,Ampseal
GENERAL TOLERANCE	UNITS	mm
x.x ± 0.30	SHEET SIZE	A4
x.xx ± 0.20	Draw:	Daniel 2018-07-10
x.xxx ± 0.10	Check:	Daniel 2018-07-10

KLS
NingBo KLS ELECTRONIC CO.,L TD.

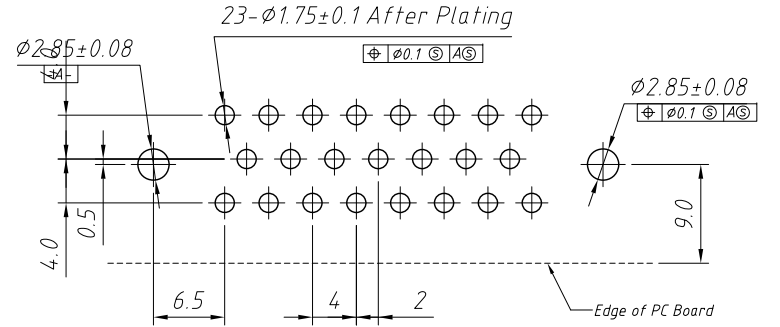
RoHS Compliance



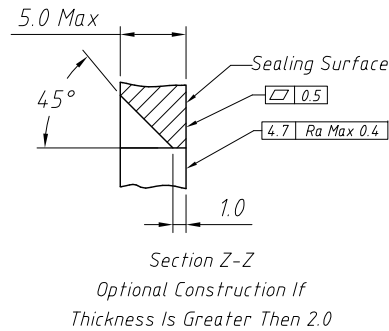
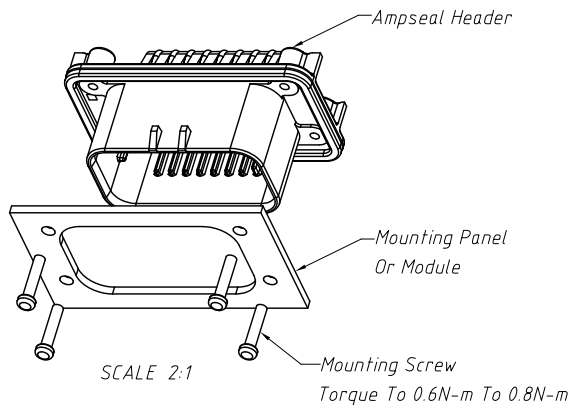
Recommended Mounting Hole Layout
For 5.0 Max Thick Panel



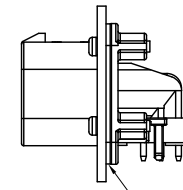
Section Z-Z
Optional Construction If
Thickness Is Greater Than 2.0



Recommended PC Board Layout
For 1.57 Thick PC Board



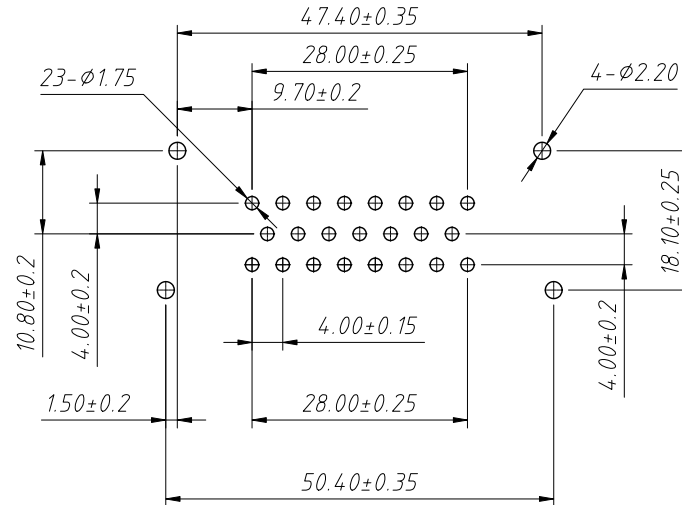
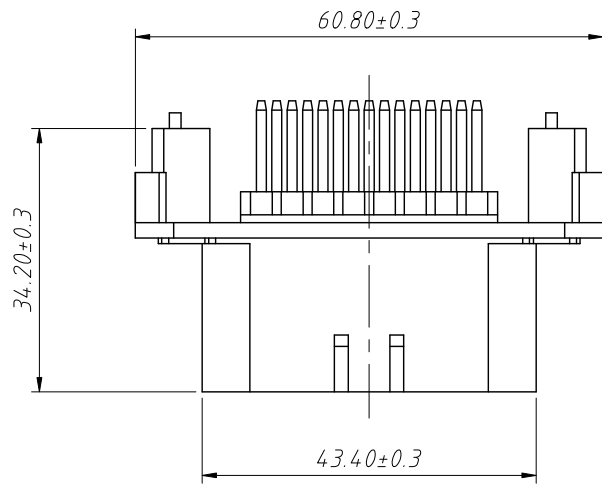
Section Z-Z
Optional Construction If
Thickness Is Greater Than 2.0



SCALE 2:1
Ensure The Header Is Flush
To The Panel Face All Around
Before Tightening To Final Torque

ANGLE TOLERANCE	PROJECTION	Description:		
±3°		Header Assembly, 23 Position, Right Angle, Ampseal		
GENERAL TOLERANCE	UNITS	mm	KLS P/N: L-KLS13-CA004-23-R-B	
x.x ±0.30	SHEET SIZE	A4	NingBo KLS ELECTRONIC CO.,L TD.	
x.xx ±0.20	Draw:	Daniel		2018-07-10
x.xxx ±0.10	Check:	Daniel		2018-07-10

RoHS Compliance

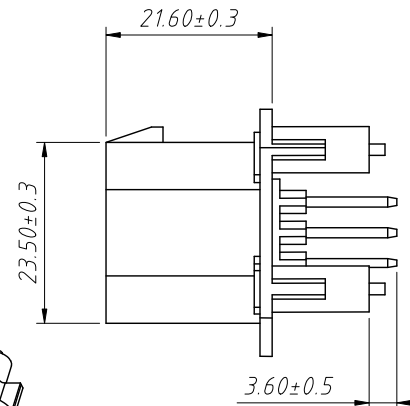
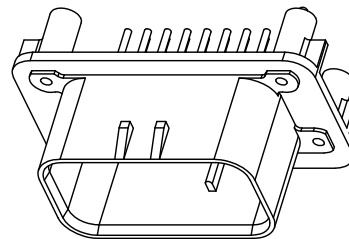
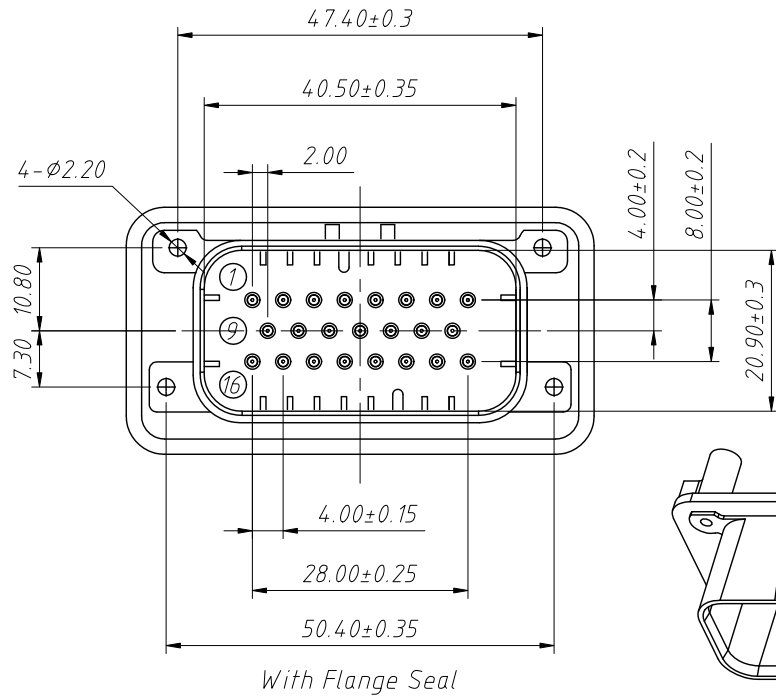


PCB LAYOUT

Material:
Housing:PBT,Black
Contacts: Brass
Finish:Pre-Tin

Technical Features:

1. No of Positions:23P
2. The Mating Female Housing P/N:L-KLS13-CA004-23-H
3. Current Rating:8A
4. Temperature Range:-40°C to 125°C
5. Fully sealed and submersible IP67rating



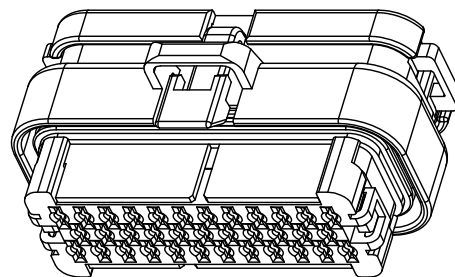
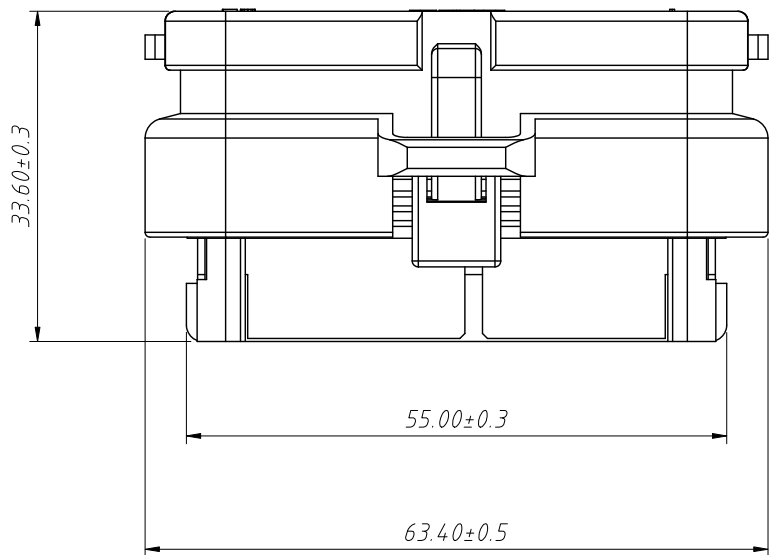
Order Information:

L-KLS13-CA004-23-S-IP67

L: RoHS
Serial No
XX-No. of pins
Type:
H-Housing T-Terminal
S-Vertical Header
R-Horizontal Header
Waterproof:IP67 Rating

ANGLE TOLERANCE	PROJECTION	Description:	23 Pin AMPSEAL Connector Vertical Header,Black	
±3°				
GENERAL TOLERANCE	UNITS	mm	KLS P/N:	L-KLS13-CA004-23-S-IP67
x.x ±0.30	SHEET SIZE	A4		
x.xx ±0.20	Draw:	Daniel	2018-07-10	NingBo KLS ELECTRONIC CO.,L.TD.
x.xxx ±0.10	Check:	Daniel	2018-07-10	

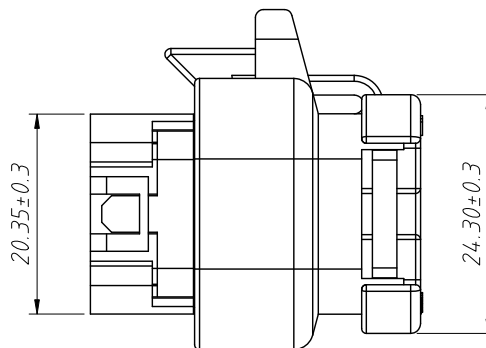
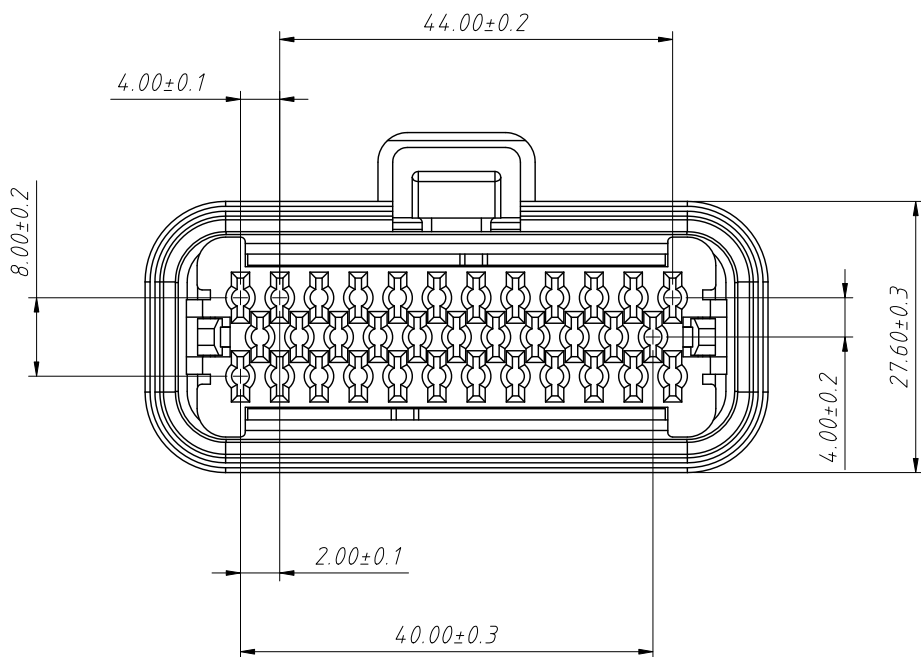
1 RoHS Compliance



Material:
Housing:PBT,Black.

Technical Features:

1. No of Positions:35P
2. Applicable Terminal P/N :L-KLS13-CA004-T
3. Wire Range:AVSS,AVSSH-F 0.5~1.25mm²
4. Temperature Range:-40°C to 125°C
5. Fully sealed and submersible IP67rating



Order Information:

L-KLS13-CA004-35-H-IP67

L: RoHS

Serial No

XX-No.of pins

Type:

H-Housing T-Terminal

S-Vertical Header

R-Horizontal Header

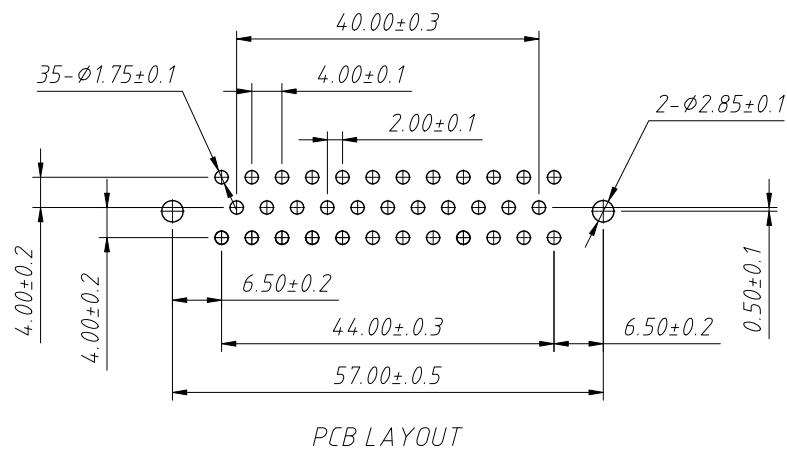
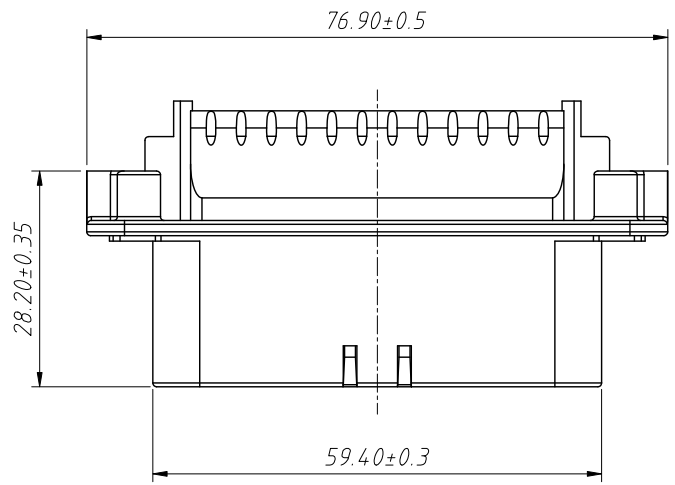
Waterproof:IP67 Rating

ANGLE TOLERANCE	PROJECTION	Description:	35 Pin AMPSEAL Connector Housing,Black
±3°			
GENERAL TOLERANCE	UNITS	mm	KLS P/N: L-KLS13-CA004-35-H-IP67
x.x ±0.30	SHEET SIZE	A4	
x.xx ±0.20	Draw:	Daniel	2018-07-10
x.xxx ±0.10	Check:	Daniel	2018-07-10



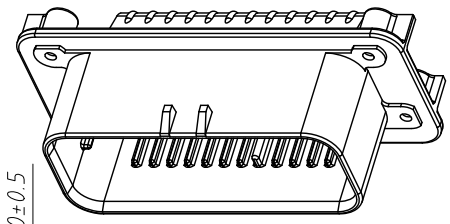
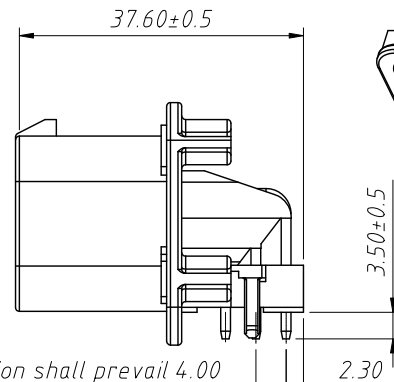
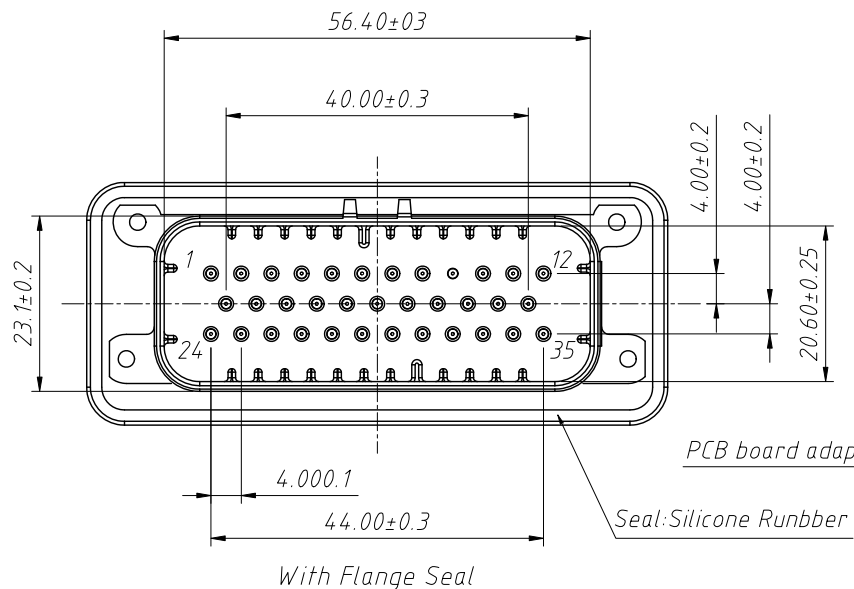
NingBo KLS ELECTRONIC CO.,L.TD.

1
RoHS Compliance



Material:
Housing:PBT,Black
Contacts: Brass
Finish:Pre-Tin

- Technical Features:
- No. of Positions:35P
 - The Mating Female Housing
P/N:L-KLS13-CA004-35-H
 - Current Rating:17A
 - Temperature Range:-40°C to 125°C
 - Fully sealed and submersible IP67rating



Order Information:
L-KLS13-CA004-35-R-IP67

L: RoHS
Serial No
XX-No. of pins
Type:
H-Housing T-Terminal
S-Vertical Header
R-Horizontal Header
Waterproof:IP67 Rating

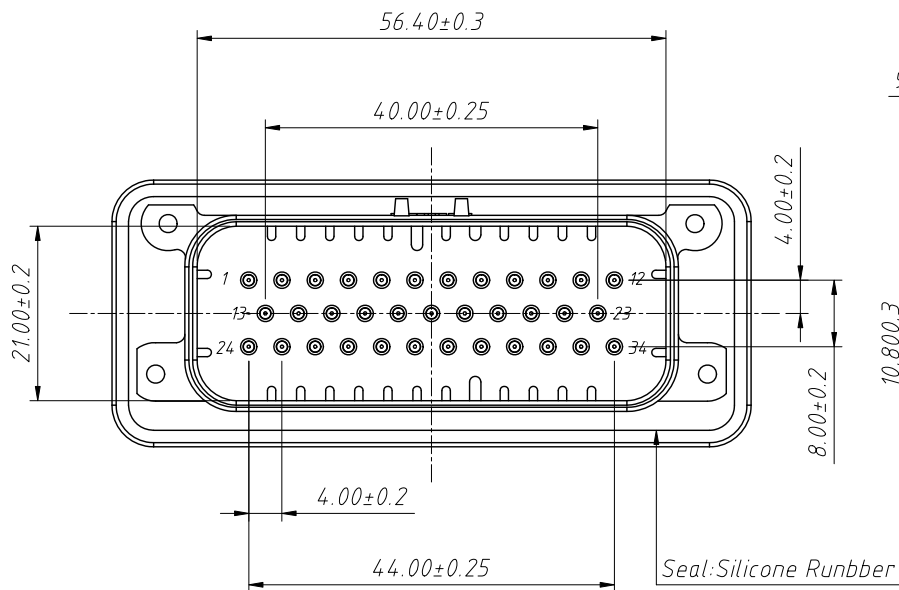
ANGLE TOLERANCE	PROJECTION	Description:	
±3°			
GENERAL TOLERANCE	UNITS	mm	KLS P/N:
x.x ±0.30	SHEET SIZE	A4	
x.xx ±0.20	Draw:	Daniel	2018-07-10
x.xxx ±0.10	Check:	Daniel	2018-07-10

35 Pin AMPSEAL Connector
Horizontal HEADER ,Black
L-KLS13-CA004-35-R-IP67

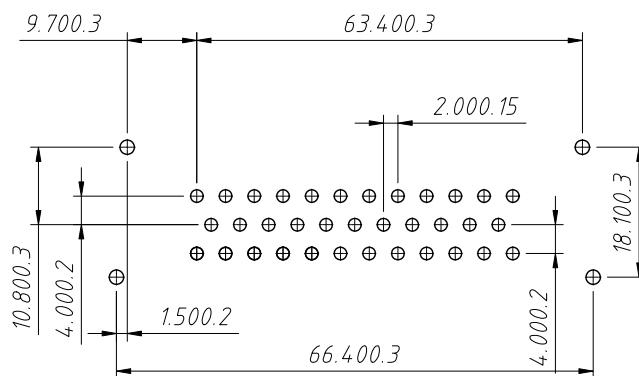


NingBo KLS ELECTRONIC CO.,LTD.

1 RoHS Compliance



With Flange Seal

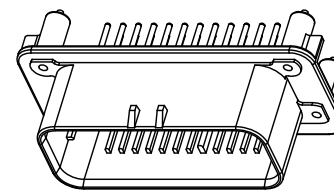
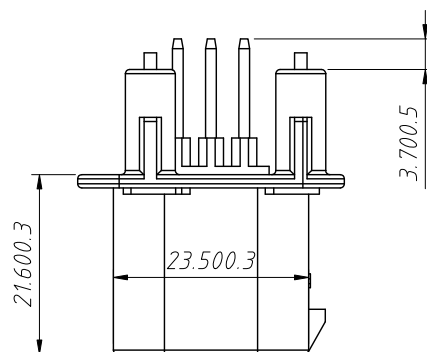
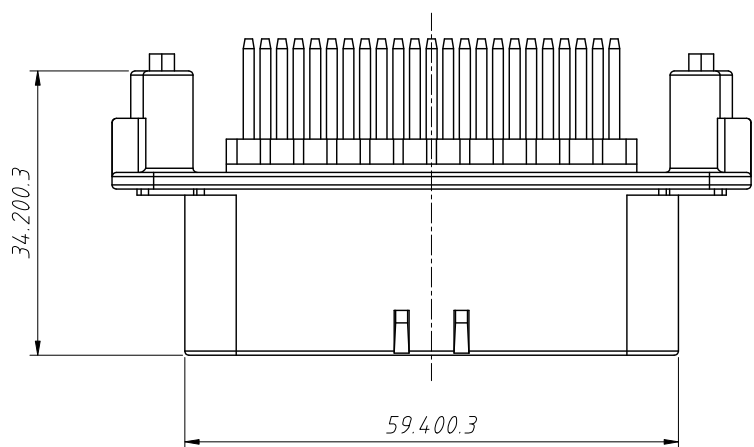


PCB LAYOUT

Material:
Housing: PBT, Black
Contacts: Brass
Finish: Pre-Tin

Technical Features:

1. No of Positions: 35P
2. The Mating Female Housing
P/N: L-KLS13-CA004-35-H
3. Current Rating: 17A
4. Temperature Range: -40°C to 125°C
5. Fully sealed and submersible IP67 rating



Order Information:

L-KLS13-CA004-35-S-IP67

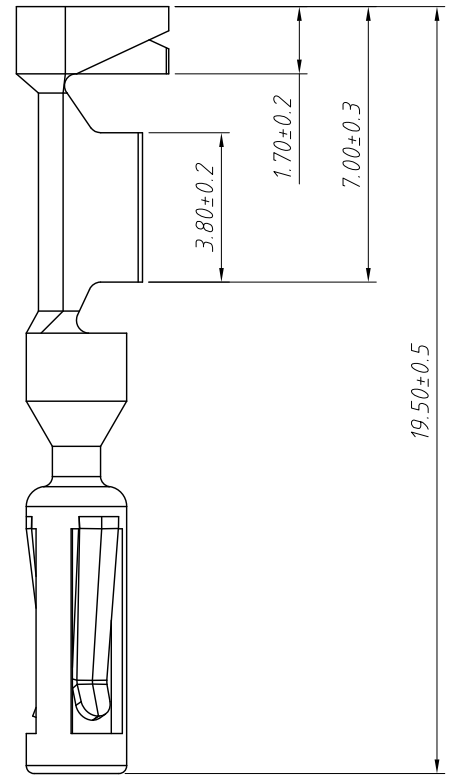
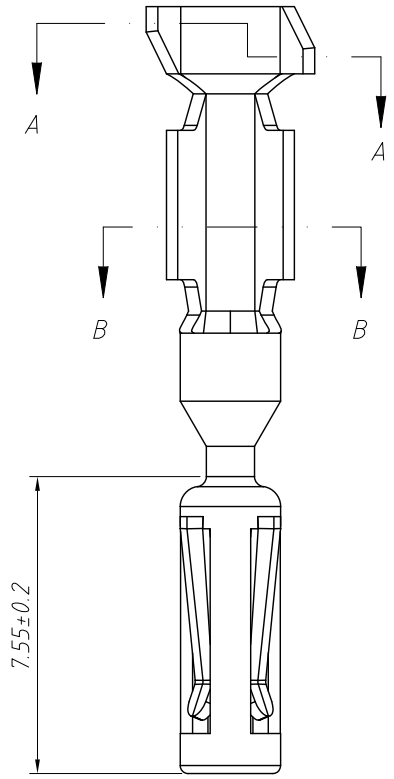
L: RoHS
Serial No
XX-No. of pins
Type:
H-Housing T-Terminal
S-Vertical Header
R-Horizontal Header
Waterproof: IP67 Rating

ANGLE TOLERANCE	PROJECTION	Description:	35 Pin AMPSEAL Connector Vertical Header, Black
±3°			
GENERAL TOLERANCE	UNITS	mm	KLS P/N:
x.x ±0.30	SHEET SIZE	A4	L-KLS13-CA004-35-S-IP67
x.xx ±0.20	Draw:	Daniel	2018-07-10
x.xxx ±0.10	Check:	Daniel	2018-07-10

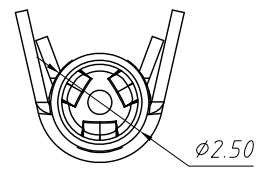
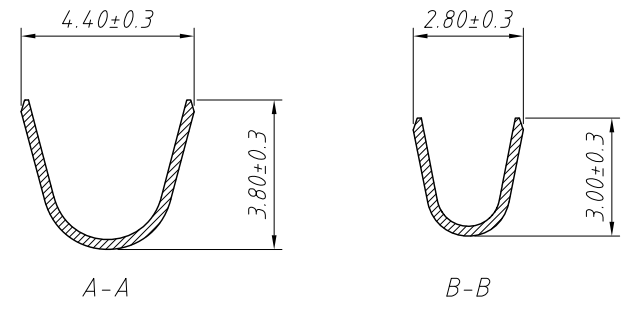


NingBo KLS ELECTRONIC CO., L.TD.

1
RoHS Compliance



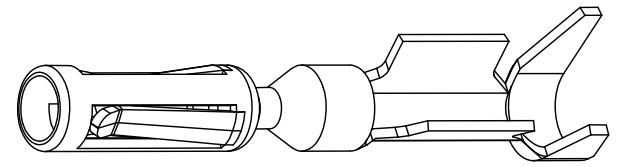
- Technical Features:
1. Terminal Material: Phosphor Bronze
 2. Terminal Finish: Pre-Tin
 3. Wire Range: AVSS, AVSSH-F 0.5-1.25MM²
 4. Temperature Range: -40°C to 125°C
 5. Packaging Method: Strip
 6. Qty/Reel: 4000 PCS



Order Information:

L-KLS13-CA004-T

L: RoHS
 Serial No
 Type:
 H-Housing
 S-Vertical Header
 R-Horizontal Header
 T-Terminal



ANGLE TOLERANCE	PROJECTION	Description:	1.3mm AMPSEAL Connector Terminal 0.5~1.25 mm ² wire
±3°			
GENERAL TOLERANCE	UNITS	mm	KLS P/N: L-KLS13-CA004-T
x.x ±0.30	SHEET SIZE	A4	NingBo KLS ELECTRONIC CO.,L TD.
x.xx ±0.20	Draw:	Daniel	
x.xxx ±0.10	Check:	Daniel	