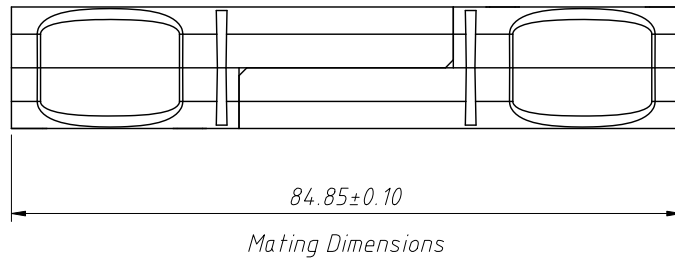
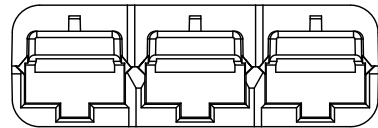
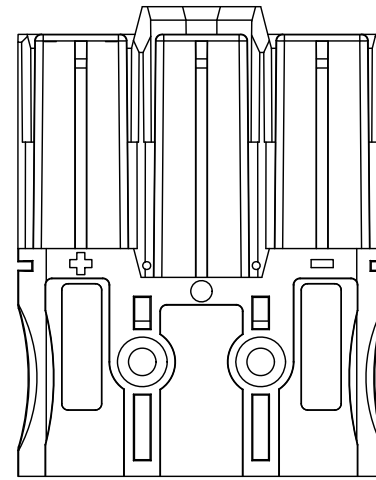
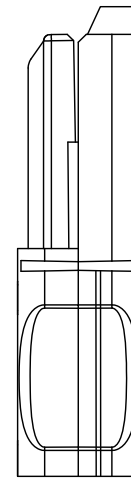
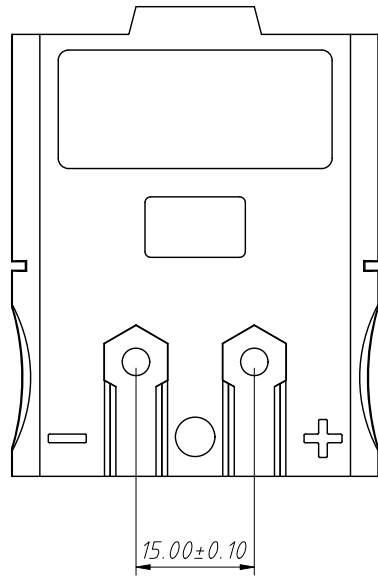
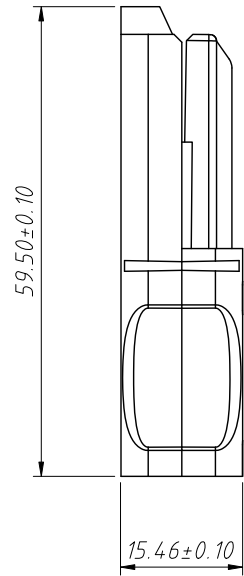
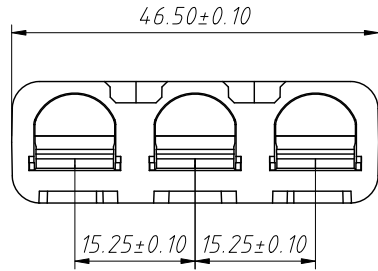


1 RoHS Compliance



Material:
Housing: PC, UL 94 V-0
Color: Black, Blue, Brown, White

Electrical Characteristics:
Rated Current: 75A
Rated Voltage: 600V

Applicable Terminal:
L-KLS1-XT28-T1
L-KLS1-XT28-T2
L-KLS1-XT28-T3

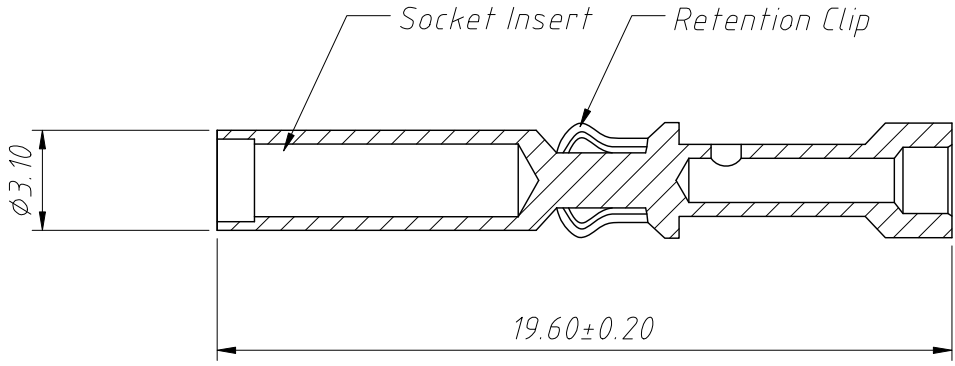
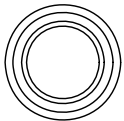
Order Information:
L-KLS1-XT28D-H-B

```

    L: RoHS
    XT Series
    Type: H-Housing
    Color:
    B-Black, L-Blue, BR-Brown, W-White
  
```

ANGLE TOLERANCE	PROJECTION	Description:		
±3°		Powerpole 75A Housing 3 Pole		
GENERAL TOLERANCE	UNITS	mm	KLS P/N:	L-KLS1-XT28D-H-B
x.x ±0.30	SHEET SIZE	A4		
x.xx ±0.20	Draw:	Daniel	2022-04-02	
x.xxx ±0.10	Check:	Daniel	2022-04-02	
			NingBo KLS ELECTRONIC CO.,L TD.	

1
RoHS Compliance



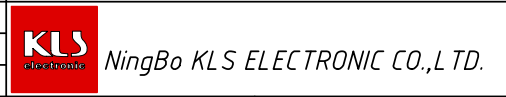
Material:
 Contact Body: Brass, Bright Tin Over Nickel
 Socket Insert: BeCu, Gold Over Nickel
 Retention Clip: Stainless Steel

Electrical Characteristics:
 Rated Current: 75A
 Rated Voltage: 600V

Applicable Housing :
 L-KLS1-XT28-H

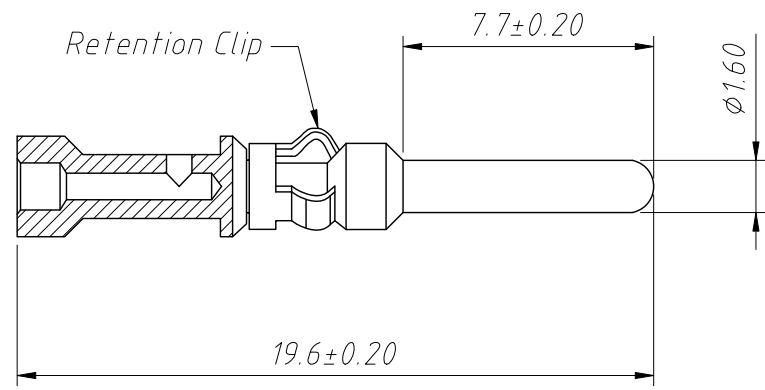
Order Information:
 L-KLS1-XT28-FST01
 L: RoHS
 XT Series
 Type: Female Pin

ANGLE TOLERANCE	PROJECTION	Description:	
$\pm 3^\circ$		Pin Contact 75A Automobile connector	
GENERAL TOLERANCE	UNITS	mm	KLS P/N:
x.x ± 0.30	SHEET SIZE	A4	L-KLS1-XT28-FST01
x.xx ± 0.20	Draw:	Daniel	2022-04-02
x.xxx ± 0.10	Check:	Daniel	2022-04-02



1
RoHS Compliance

2 3 4 5 6 7 8



Material:
Terminal: Red Copper, Silver Plated

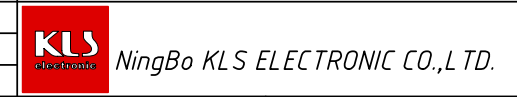
Electrical Characteristics:
Rated Current: 75A
Rated Voltage: 600V

Applicable Housing :
L-KLS1-XT28-H

Order Information:
L-KLS1-XT28-MST01

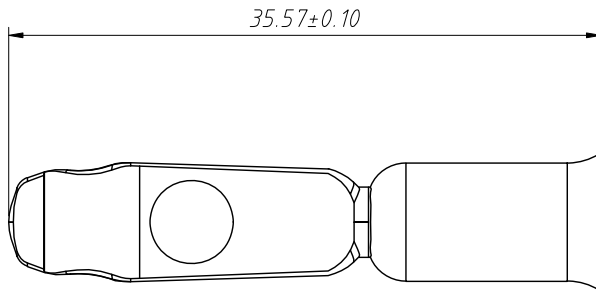
L: RoHS
XT Series
Type: Male Pin

ANGLE TOLERANCE	PROJECTION	Description:	
$\pm 3^\circ$		Pin Contact 75A Automobile connector	
GENERAL TOLERANCE	UNITS	mm	KLS P/N:
x.x ± 0.30	SHEET SIZE	A4	L-KLS1-XT28-MST01
x.xx ± 0.20	Draw:	Daniel	2022-04-02
x.xxx ± 0.10	Check:	Daniel	2022-04-02



1 2 3 4 5 6 7 8

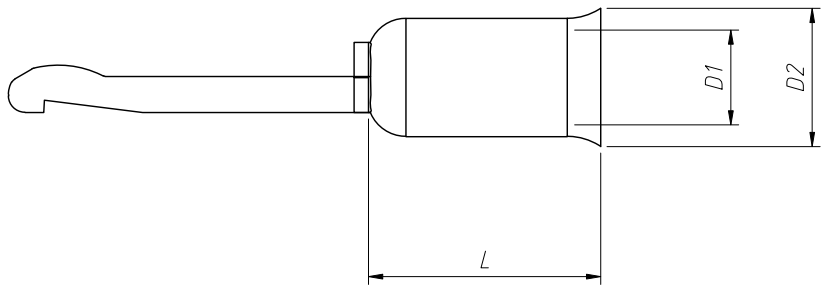
1
RoHS Compliance



Material:
Terminal:Red Copper,Silver Plated

Electrical Characteristics:
Rated Current:50A
Rated Voltage:600V

Applicable Housing:
L-KLS1-XT28-H
L-KLS1-XT28D-H



Part Number	D1 (mm)	D2 (mm)	L (mm)	Wrie
L-KLS1-XT28-T1	5.60±0.20	7.00±0.20	12.00±0.20	6AWG
L-KLS1-XT28-T2	4.80±0.20	7.00±0.20	12.00±0.20	8AWG
L-KLS1-XT28-T3	3.90±0.20	7.00±0.20	12.00±0.20	10~12 AWG

Order Information:
L-KLS1-XT28-T1
L: RoHS
XD Series
Type:
T1 / T2 / T3-Terminal

ANGLE TOLERANCE	PROJECTION	Description:	Terminal 50A Automobile connector	
±3°				
GENERAL TOLERANCE	UNITS	mm	KLS P/N:	L-KLS1-XT28-T
x.x ±0.30	SHEET SIZE	A4		
x.xx ±0.20	Draw:	Daniel	2022-04-02	
x.xxx ±0.10	Check:	Daniel	2022-04-02	

NingBo KLS ELECTRONIC CO.,L TD.