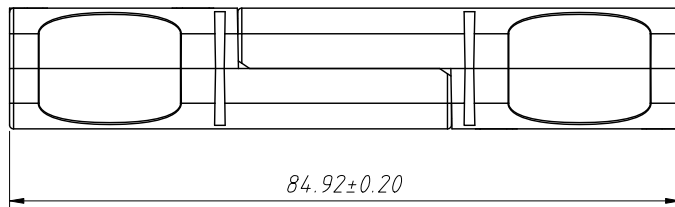
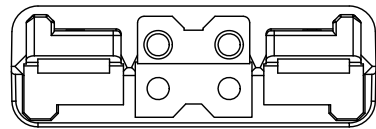
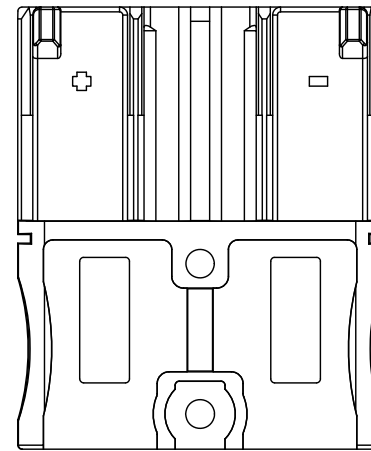
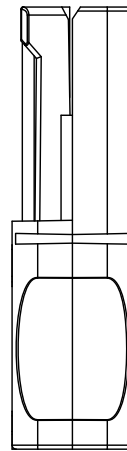
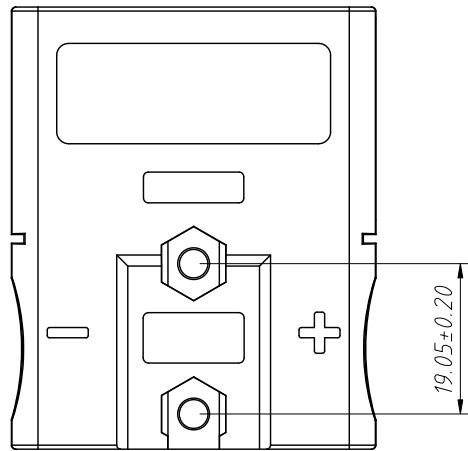
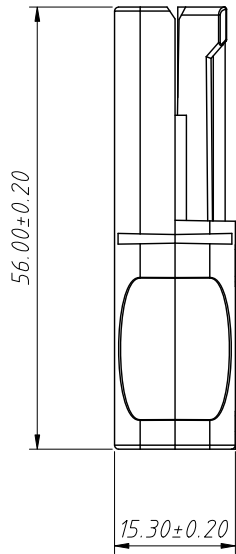
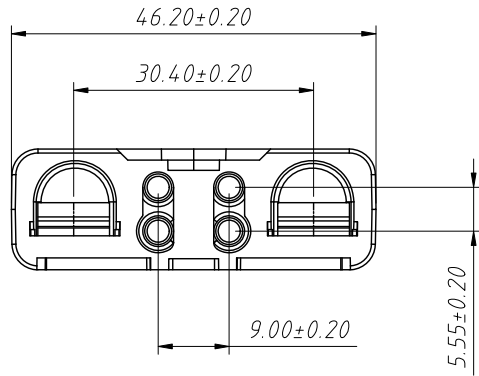


RoHS Compliance



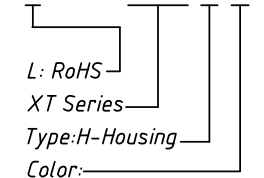
Mating Dimensions

Material:
Housing:PC,UL 94 V-0
Color:Black,Blue,Brown,White,
Gray,Green

Electrical Characteristics:
Rated Current:75A
Rated Voltage:600V

Applicable Terminal:
L-KLS1-XT28-MST01
L-KLS1-XT28-FST01
L-KLS1-XT28-T1
L-KLS1-XT28-T2
L-KLS1-XT28-T3

Order Information:
L-KLS1-XT28-H-B



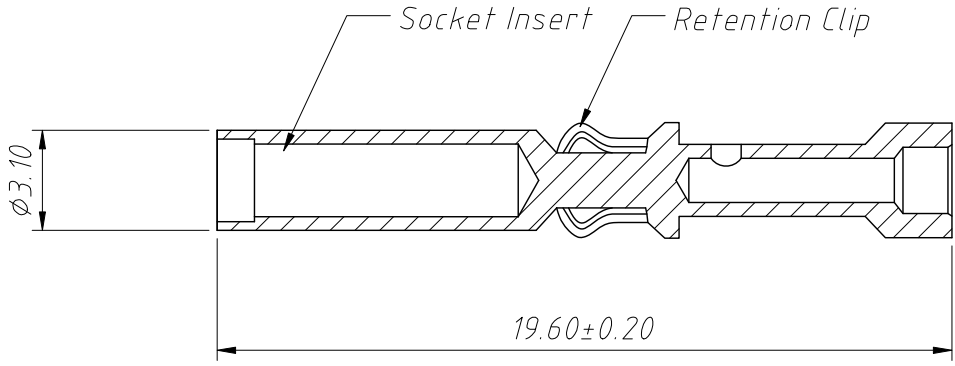
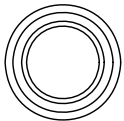
GY-Gray,L-Blue,G-Green
BR-Brwon,W-White,B-Black

ANGLE TOLERANCE	PROJECTION	Description:		
±3°		Powerpole 75A Housing 2 Pole		
GENERAL TOLERANCE	UNITS	mm	KLS P/N:	L-KLS1-XT28-H-B
x.x ±0.30	SHEET SIZE	A4		
x.xx ±0.20	Draw:	Daniel	2022-04-02	
x.xxx ±0.10	Check:	Daniel	2022-04-02	



NingBo KLS ELECTRONIC CO.,L TD.

1
RoHS Compliance



Material:
 Contact Body: Brass, Bright Tin Over Nickel
 Socket Insert: BeCu, Gold Over Nickel
 Retention Clip: Stainless Steel

Electrical Characteristics:
 Rated Current: 75A
 Rated Voltage: 600V

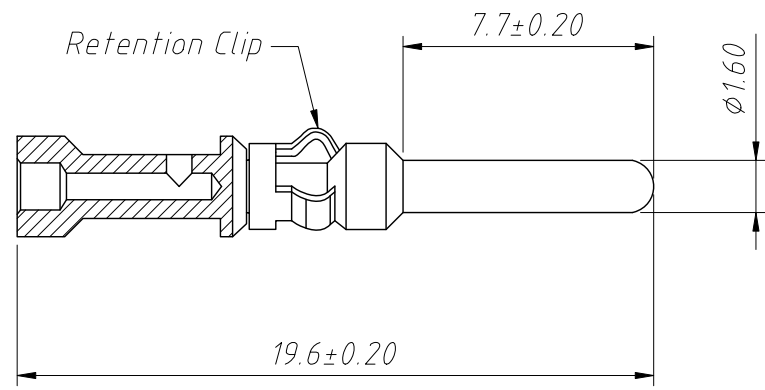
Applicable Housing :
 L-KLS1-XT28-H

Order Information:
 L-KLS1-XT28-FST01
 L: RoHS
 XT Series
 Type: Female Pin

ANGLE TOLERANCE	PROJECTION	Description:	
$\pm 3^\circ$		Pin Contact 75A Automobile connector	
GENERAL TOLERANCE	UNITS	mm	KLS P/N: L-KLS1-XT28-FST01
x.x ± 0.30	SHEET SIZE	A4	NingBo KLS ELECTRONIC CO.,L TD.
x.xx ± 0.20	Draw:	Daniel 2022-04-02	
x.xxx ± 0.10	Check:	Daniel 2022-04-02	

1
RoHS Compliance

2 3 4 5 6 7 8



Material:
Terminal: Red Copper, Silver Plated

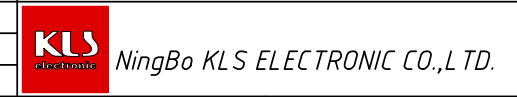
Electrical Characteristics:
Rated Current: 75A
Rated Voltage: 600V

Applicable Housing :
L-KLS1-XT28-H

Order Information:
L-KLS1-XT28-MST01

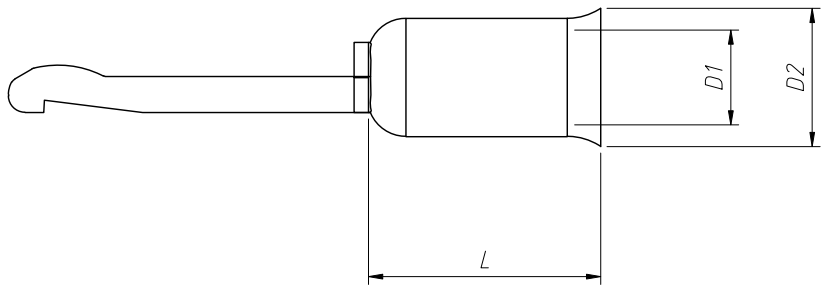
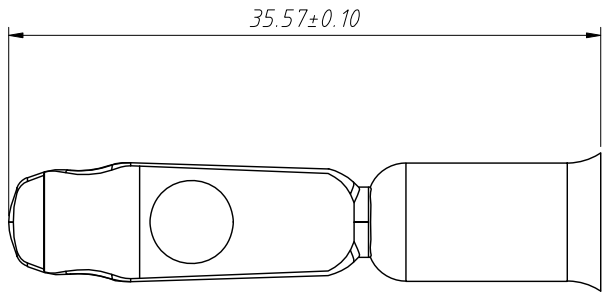
L: RoHS
XT Series
Type: Male Pin

ANGLE TOLERANCE	PROJECTION	Description:	
$\pm 3^\circ$		Pin Contact 75A Automobile connector	
GENERAL TOLERANCE	UNITS	mm	KLS P/N:
x.x ± 0.30	SHEET SIZE	A4	L-KLS1-XT28-MST01
x.xx ± 0.20	Draw:	Daniel	2022-04-02
x.xxx ± 0.10	Check:	Daniel	2022-04-02



1 2 3 4 5 6 7 8

1
RoHS Compliance



Part Number	D1 (mm)	D2 (mm)	L (mm)	Wire
L-KLS1-XT28-T1	5.60±0.20	7.00±0.20	12.00±0.20	6AWG
L-KLS1-XT28-T2	4.80±0.20	7.00±0.20	12.00±0.20	8AWG
L-KLS1-XT28-T3	3.90±0.20	7.00±0.20	12.00±0.20	10~12 AWG

Material:
Terminal:Red Copper,Silver Plated

Electrical Characteristics:
Rated Current:50A
Rated Voltage:600V

Applicable Housing:
L-KLS1-XT28-H
L-KLS1-XT28D-H

Order Information:
L-KLS1-XT28-T1

L: RoHS
XD Series
Type:
T1 / T2 / T3-Terminal

ANGLE TOLERANCE	PROJECTION	Description:	Terminal 50A Automobile connector		
±3°					
GENERAL TOLERANCE	UNITS	mm	KLS P/N:	L-KLS1-XT28-T	
x.x ±0.30	SHEET SIZE	A4			
x.xx ±0.20	Draw:	Daniel	2022-04-02		NingBo KLS ELECTRONIC CO.,L TD.
x.xxx ±0.10	Check:	Daniel	2022-04-02		