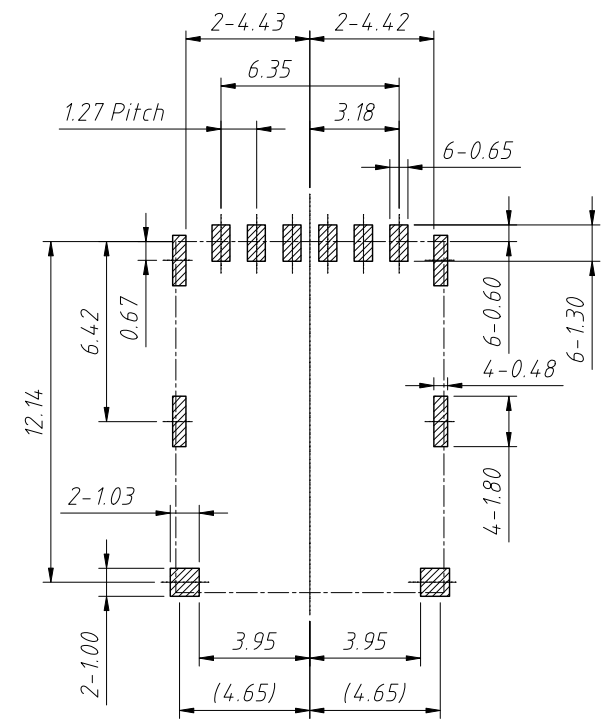
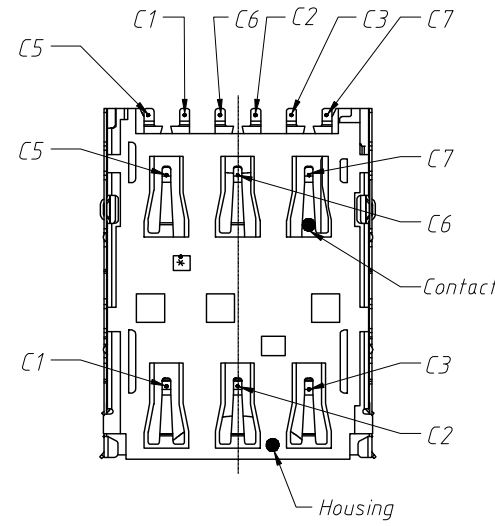
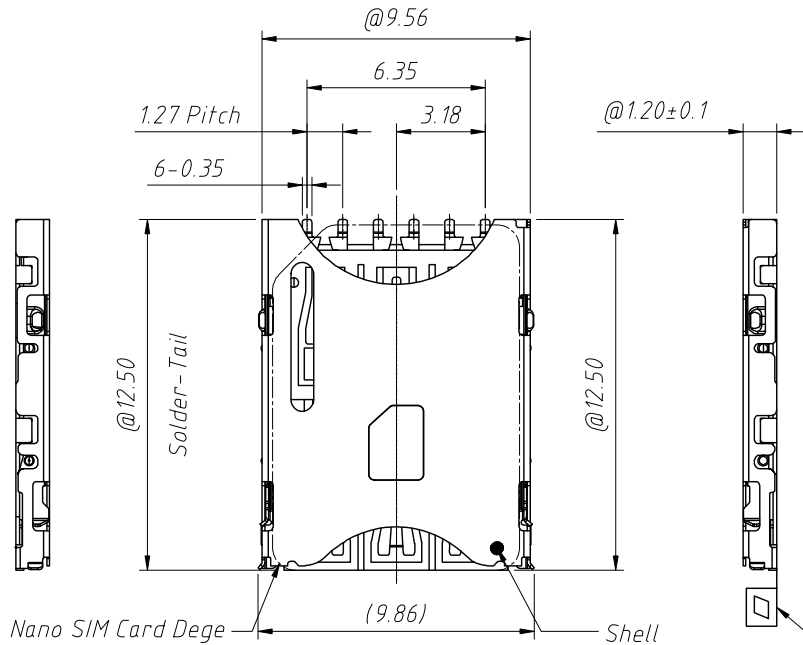


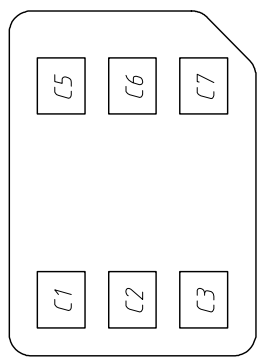
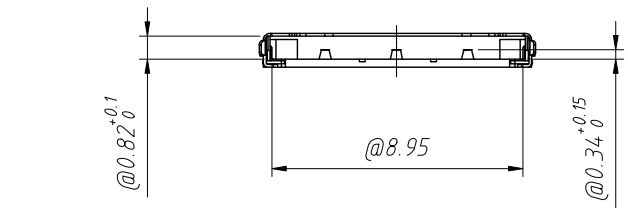
RoHS Compliance



@All Solder-Tail
Terminal Solder pin Flatness 0.08 Max.
Shell Solder pin Flatness 0.10 Max.

Recommended PCB Layout
Tolerance (Top View) ±0.05

Order Information:
L-KLS1-SIM-D01-6P-H1.20-R
L: RoHS
Nano SIM
Card Connector
6 Pins
Height 1.20mm
Roll Pack



Nano SIM Card Pad

Material:
Housing: High Temp. Thermoplastic, UL 94 V-0, Black
Contact: Copper Alloy 0.10T, Gold Flash On Contact Area and Solder Area 50U" Min Nickel Under-Plated
Shell: Stainless Steel 0.10T, Nickel Plating Over ALL

Electrical:
Current Rating: 1A
Contact Resistance: 100mΩ Max.
Insulation Resistance: 500MΩ Min
Dielectric Withstanding Voltage: 500V R.M.S. Min
Life Test: 1500 Cycles
@ Represent Critical Dimensions

ANGLE TOLERANCE	PROJECTION	Description:
±3°		Nano SIM Card Connector , 6 Pins, Height 1.2mm, Roll Pack.
GENERAL TOLERANCE	UNITS	mm
x.x ±0.30	SHEET SIZE	A4
x.xx ±0.20	Draw:	Daniel 2022-05-15
x.xxx ±0.10	Check:	Daniel 2022-05-15
KLS P/N:		L-KLS1-SIM-D01-6P-H1.20-R
KLS Electronic		NingBo KLS ELECTRONIC CO., L.TD.