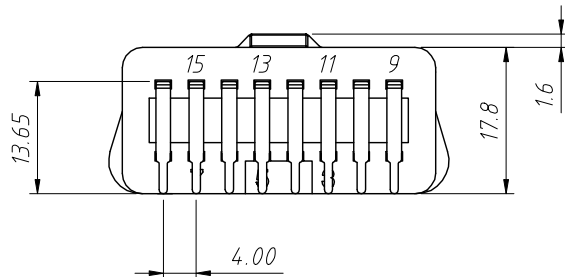
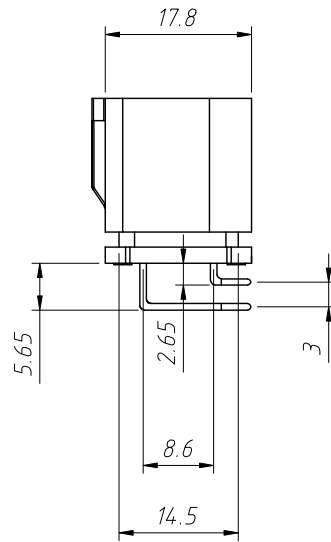
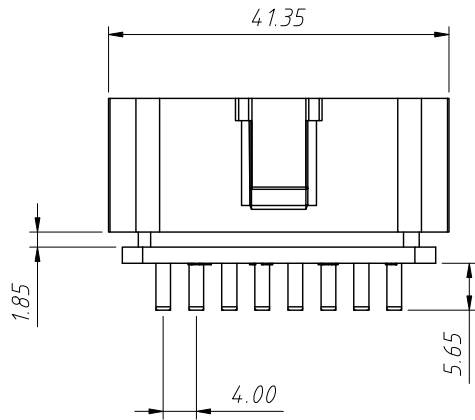
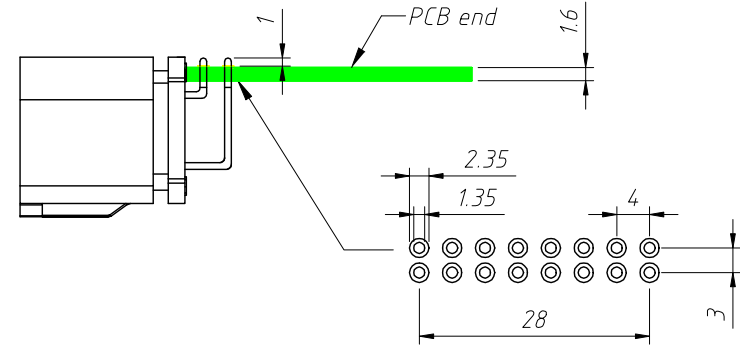
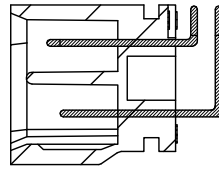
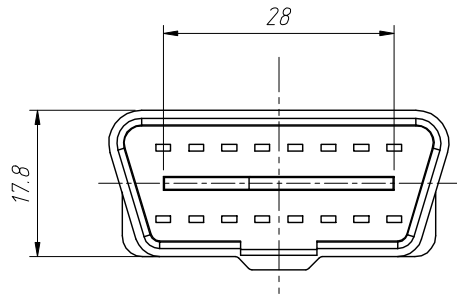


1 RoHS Compliance



Material:

1. Housing: PBT, UL94V-0, Color Black
2. The Pin 4 & Pin 5 Are 8.5mm High Out of the Plastic
All of the rest pins are 6.7mm. The pin 0.55x1.5
3. General Tolerance: ±0.30mm
4. Needle: Brass, under plate nickel
5. Electroplating: gold-plated, gold-plated thickness: 3u", nickel bottom 30u"

Electrical Characteristics:

- Dielectric Strength: 1000V AC/1 Minute
- Contact Resistance: 100mΩ Max
- Insulator Resistance: 500VDC, 100MΩ Min

Rating and Application Wire:

- Rated Voltage: 30V Max
- Rated Current: 5Amps, Wire Insulation OD: φ1.2 ~ φ2.6
- Ambient Temperature Range: -40°C ~ +85°C

ANGLE TOLERANCE	PROJECTION	Description:	OBD II 16P Male R/A	
±3°				
GENERAL TOLERANCE	UNITS	mm	KLS P/N:	L-KLS1-OBDDII-16-R
x.x ±0.30	SHEET SIZE	A4		
x.xx ±0.20	Draw:	Daniel	2020-11-11	NingBo KLS ELECTRONIC CO.,L TD.
x.xxx ±0.10	Check:	Daniel	2020-11-11	