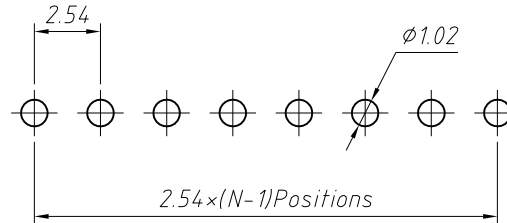
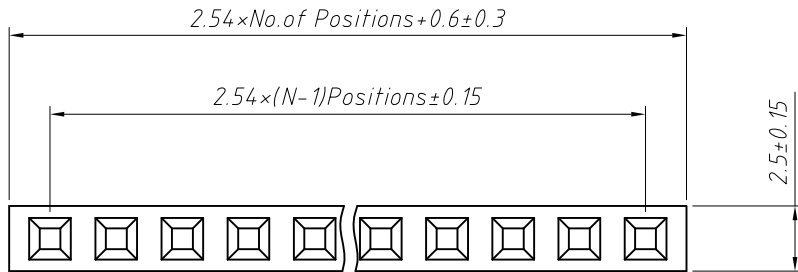


1 RoHS Compliance

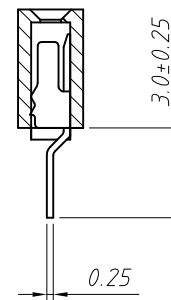
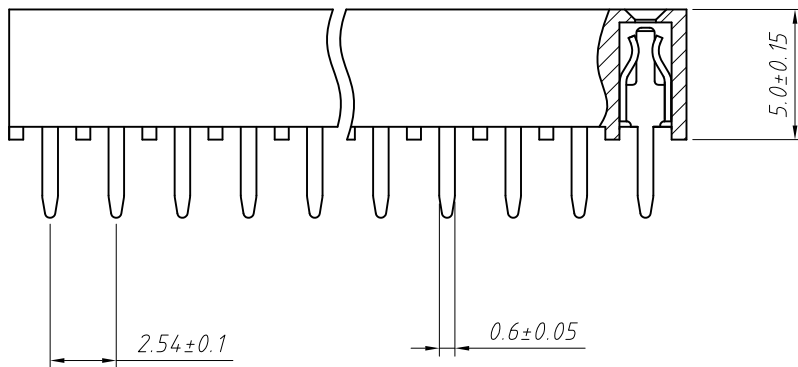


Recommended P.C.B Layout (Top Side)  
(PCB BOARD TOLERANCE ± 0.05)

**Material:**  
 Standard: PBT/PA6T  
 Contact: Brass  
 Contact plating: Au or Sn Over Ni  
 Insulator: Polyester, UL 94V-0

**Electrical Characteristics:**  
 Rated Current: 3.0AMP  
 Contact Resistance: 20mΩ Max  
 Withstand Voltage: 1000V AC/DC  
 Insulator Resistance: 1000MΩ Min

**Mechanical:**  
 Operating Temperature: -40°C ~ +105°C  
 Max. Processing Temp: 230°C for 30-60 seconds  
 (260°C for 10 seconds)



**Order Information:**

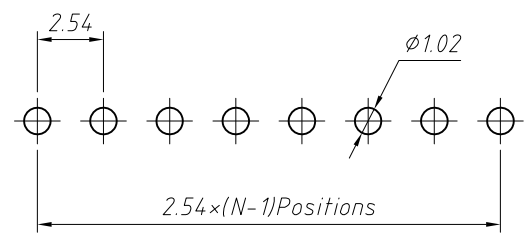
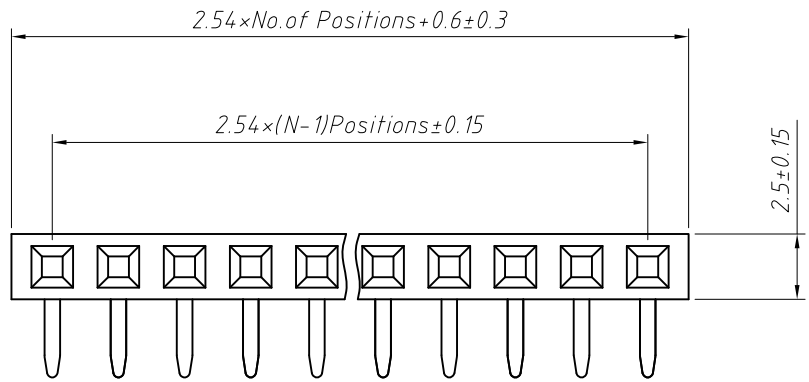
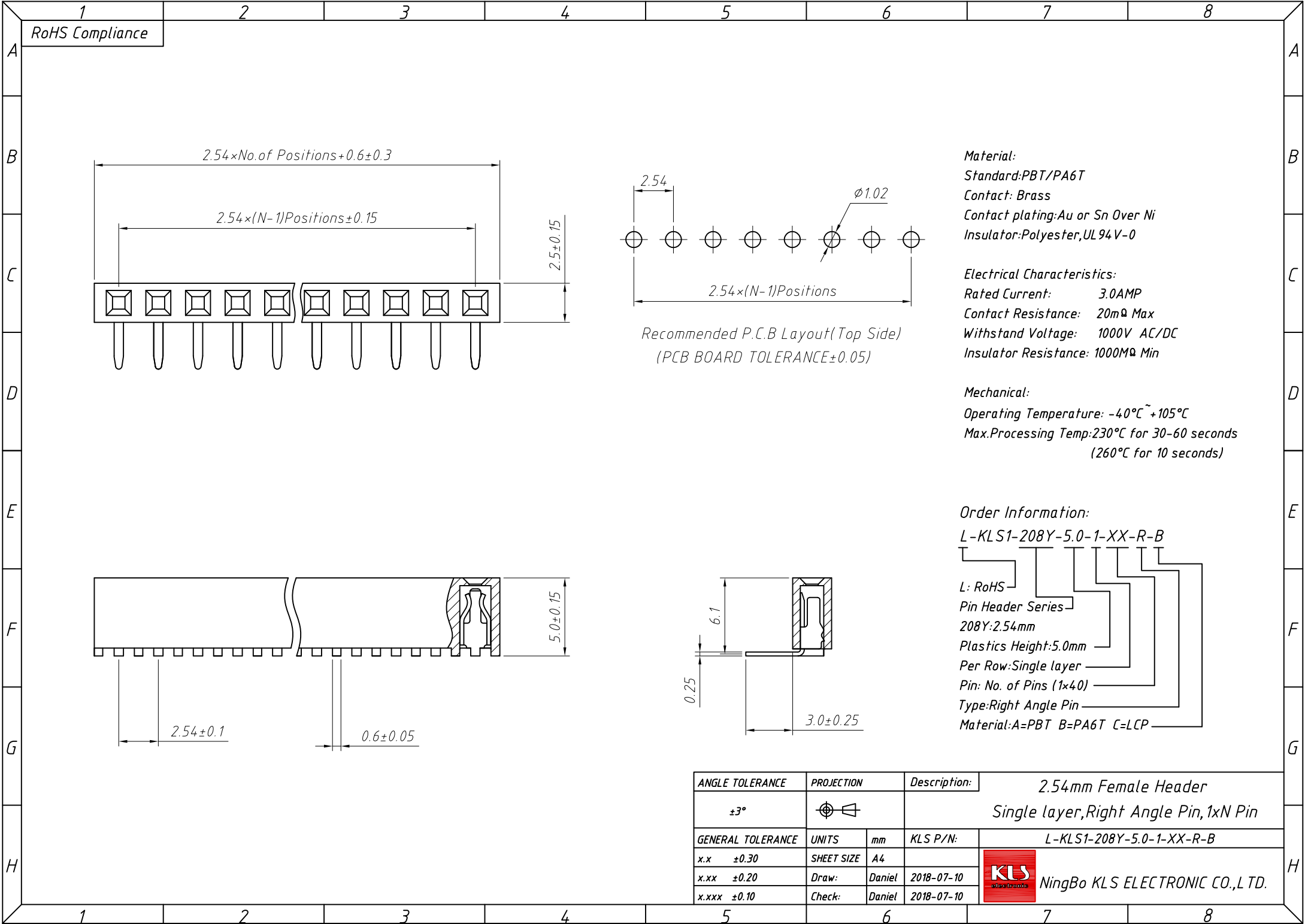
L-KLS1-208Y-5.0-1-XX-S-A

L: RoHS  
 Pin Header Series  
 208Y: 2.54mm  
 Plastics Height: 5.0mm  
 Per Row: Single layer  
 Pin: No. of Pins (1x40)  
 Type: Straight Pin  
 Material: A=PBT B=PA6T C=LCP

ANGLE TOLERANCE	PROJECTION	Description:	2.54mm Female Header	
±3°		Single layer, Straight Pin, 1xN Pin		
GENERAL TOLERANCE	UNITS	mm	KLS P/N:	L-KLS1-208Y-5.0-1-XX-S-A
x.x ±0.30	SHEET SIZE	A4		
x.xx ±0.20	Draw:	Daniel	2018-07-10	
x.xxx ±0.10	Check:	Daniel	2018-07-10	

NingBo KLS ELECTRONIC CO.,L TD.

1  
RoHS Compliance



Recommended P.C.B Layout (Top Side)  
(PCB BOARD TOLERANCE±0.05)

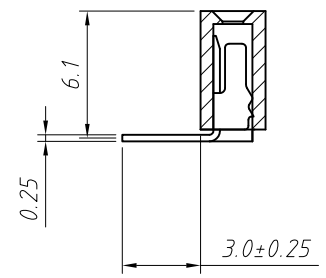
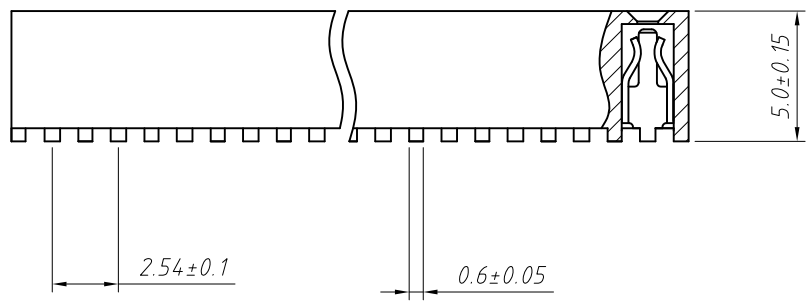
**Material:**  
Standard:PBT/PA6T  
Contact: Brass  
Contact plating:Au or Sn Over Ni  
Insulator:Polyester,UL94V-0

**Electrical Characteristics:**  
Rated Current: 3.0AMP  
Contact Resistance: 20mΩ Max  
Withstand Voltage: 1000V AC/DC  
Insulator Resistance: 1000MΩ Min

**Mechanical:**  
Operating Temperature: -40°C~+105°C  
Max.Processing Temp:230°C for 30-60 seconds  
(260°C for 10 seconds)

**Order Information:**  
L-KLS1-208Y-5.0-1-XX-R-B

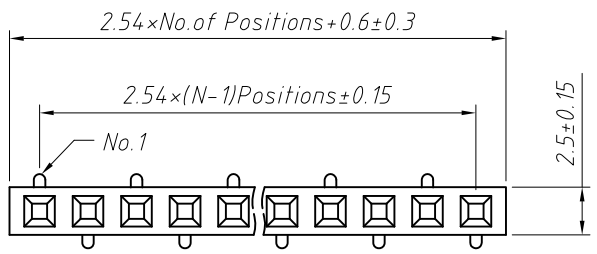
- L: RoHS
- Pin Header Series
- 208Y:2.54mm
- Plastics Height:5.0mm
- Per Row:Single layer
- Pin: No. of Pins (1x40)
- Type:Right Angle Pin
- Material:A=PBT B=PA6T C=LCP



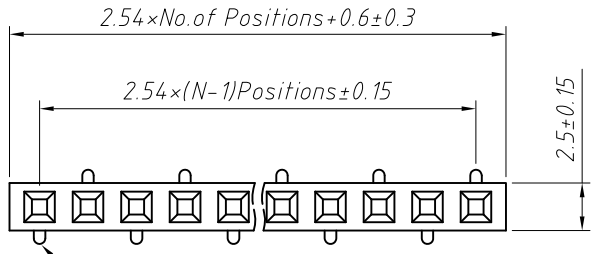
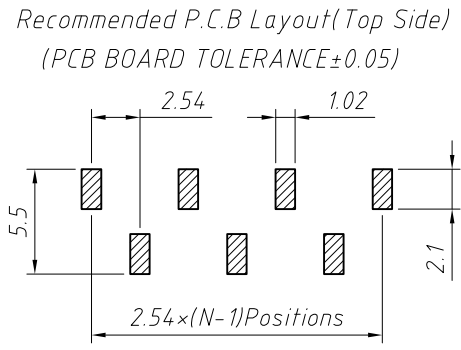
ANGLE TOLERANCE	PROJECTION	Description:	2.54mm Female Header	
±3°			Single layer,Right Angle Pin,1xN Pin	
GENERAL TOLERANCE	UNITS	mm	KLS P/N:	L-KLS1-208Y-5.0-1-XX-R-B
x.x ±0.30	SHEET SIZE	A4		
x.xx ±0.20	Draw:	Daniel	2018-07-10	
x.xxx ±0.10	Check:	Daniel	2018-07-10	

NingBo KLS ELECTRONIC CO.,L TD.

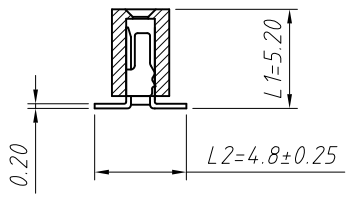
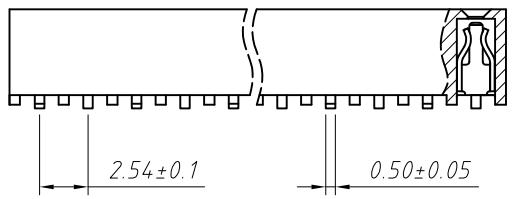
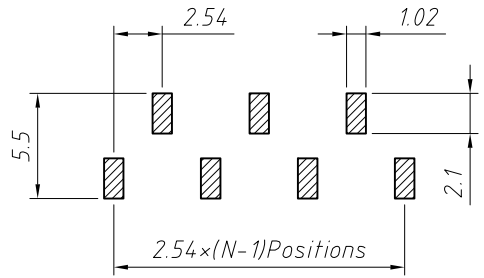
1  
RoHS Compliance



T1 Type



T2 Type



**Material:**  
Standard: PA6T  
Contact: Brass  
Contact plating: Au or Sn Over Ni  
Insulator: Polyester, UL 94 V-0

**Electrical Characteristics:**  
Rated Current: 3.0AMP  
Contact Resistance: 20mΩ Max  
Withstand Voltage: 1000V AC/DC  
Insulator Resistance: 1000MΩ Min

**Mechanical:**  
Operating Temperature: -40°C ~ +105°C  
Max. Processing Temp: 230°C for 30-60 seconds  
(260°C for 10 seconds)

**Order Information:**  
L-KLS1-208Y-5.0-1-XX-T1-L1xL2-N-B-R

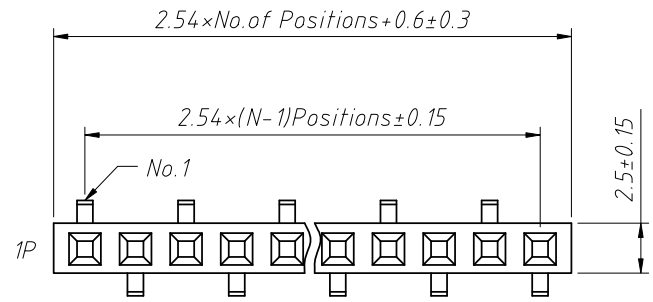
- L: RoHS
- Pin Header Series
- 208Y: 2.54mm
- Plastics Height: 5.0mm
- Per Row: Single layer
- Pin: No. of Pins (1x40)
- SMT Pin: T1 Type, T2 Type
- Size: L1xL2
- Post: W=With Post N=Without Post
- Material: A=PBT B=PA6T C=LCP
- Packing: A=Tray T=Tube M=Reel+Mylar P=Tube+Cap R=Reel+Cap

Dimension antitheses list (mm)			
ITEM	L1	L2	Plastic Height
Standard	5.20	4.80	5.00
Nonstandard	---	---	---

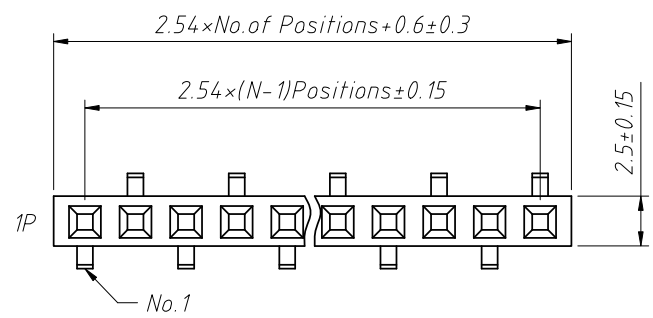
ANGLE TOLERANCE	PROJECTION	Description:
±3°		2.54mm Female Header Single layer, SMT, 1xN Pin
GENERAL TOLERANCE	UNITS	mm
x.x ±0.30	SHEET SIZE	A4
x.xx ±0.20	Draw:	Daniel 2018-07-10
x.xxx ±0.10	Check:	Daniel 2018-07-10

NingBo KLS ELECTRONIC CO.,L TD.

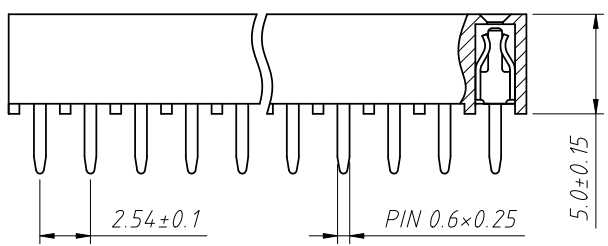
1  
RoHS Compliance



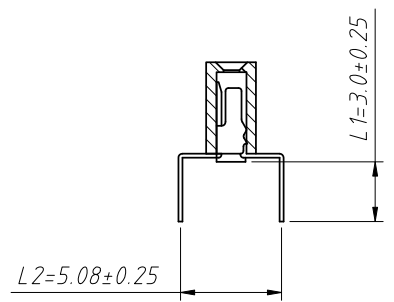
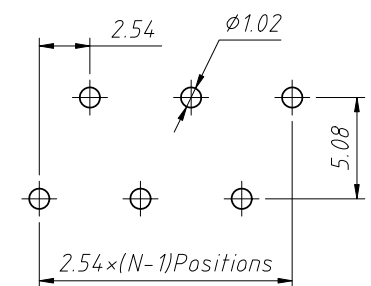
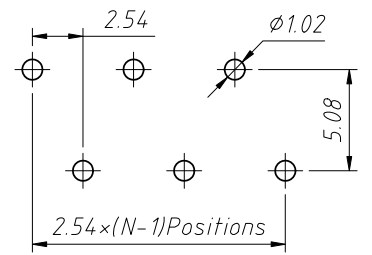
W1 Type



W2 Type



Recommended P.C.B Layout (Top Side)  
(PCB BOARD TOLERANCE ± 0.05)



**Material:**  
Standard: PA6T  
Contact: Brass  
Contact plating: Au or Sn Over Ni  
Insulator: Polyester, UL94 V-0

**Electrical Characteristics:**  
Rated Current: 3.0AMP  
Contact Resistance: 20mΩ Max  
Withstand Voltage: 1000V AC/DC  
Insulator Resistance: 1000MΩ Min

**Mechanical:**  
Operating Temperature: -40°C ~ +105°C  
Max. Processing Temp: 230°C for 30-60 seconds  
(260°C for 10 seconds)

**Order Information:**

L-KLS1-208Y-5.0-1-XX-W1-L1xL2-B-A

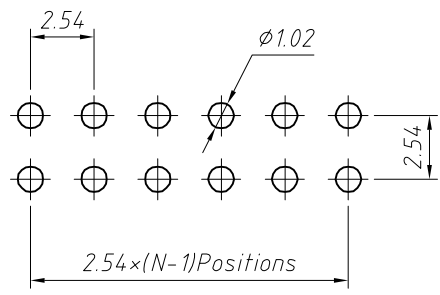
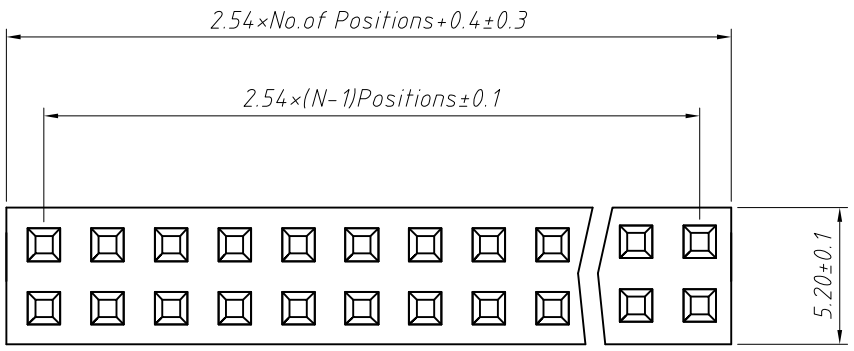
- L: RoHS
- Pin Header Series
- 208Y: 2.54mm
- Plastics Height: 5.0mm
- Per Row: Single layer
- Pin: No. of Pins (1x40)
- Bottom Entry: W1 Type, W2 Type
- Size: L1xL2
- Material: A=PBT B=PA6T C=LCP
- Packing: A=Tray T=Tube

Dimension antitheses list (mm)			
ITEM	L1	L2	Plastic Height
Standard	3.00	5.08	5.00
Nonstandard	---	---	---

ANGLE TOLERANCE	PROJECTION	Description:	2.54mm Female Header	
±3°		Single layer, Bottom Entry, 1xN Pin		
GENERAL TOLERANCE	UNITS	mm	KLS P/N:	L-KLS1-208Y-5.0-1-XX-W1-L1xL2-B-A
x.x ±0.30	SHEET SIZE	A4		
x.xx ±0.20	Draw:	Daniel	2018-07-10	
x.xxx ±0.10	Check:	Daniel	2018-07-10	

NingBo KLS ELECTRONIC CO., L TD.

1  
RoHS Compliance



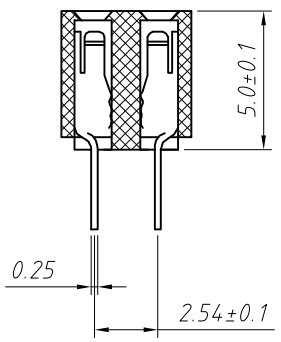
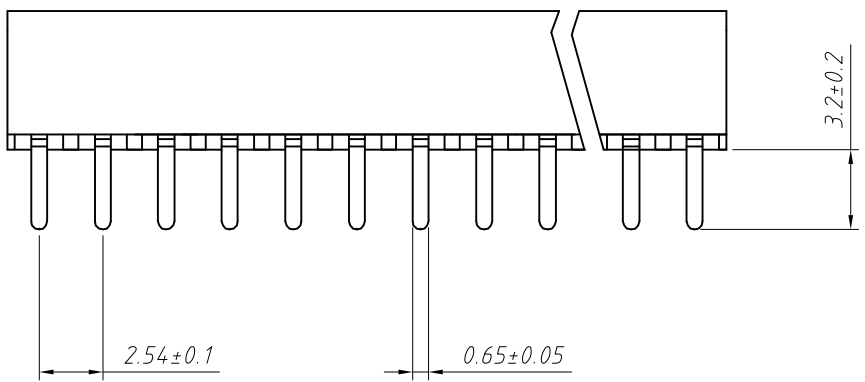
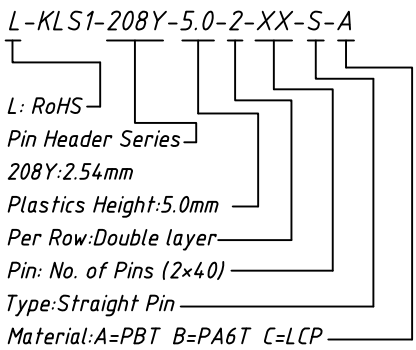
Recommended P.C.B Layout (Top Side)  
(PCB BOARD TOLERANCE ± 0.05)

**Material:**  
Standard: PBT/PA6T  
Contact: Brass  
Plating: Au or Sn Over 50u" Ni  
Insulator: Polyester, UL 94V-0

**Electrical Characteristics:**  
Rated Current: 3.0AMP  
Contact Resistance: 20mΩ Max  
Withstand Voltage: 1000V AC/DC  
Insulator Resistance: 1000MΩ Min

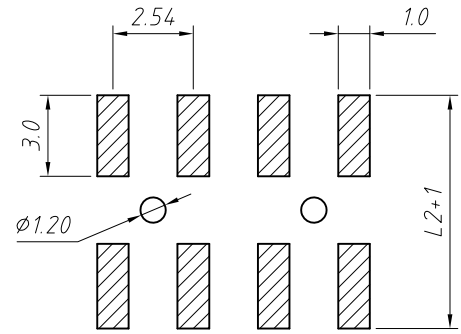
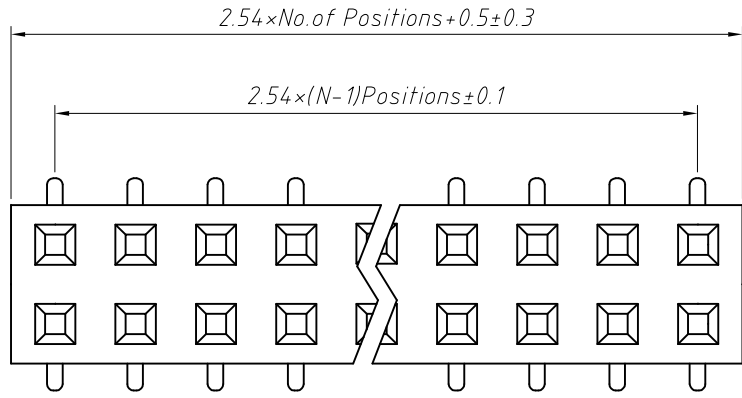
**Mechanical:**  
Operating Temperature: -40°C ~ +105°C  
Max. Processing Temp: 180°C for 30-60 seconds  
(200°C for 10 seconds)

**Order Information:**



ANGLE TOLERANCE	PROJECTION	Description:	2.54mm Female Header	
±3°			Double layer, Straight Pin, 2xN Pin	
GENERAL TOLERANCE	UNITS	mm	KLS P/N:	L-KLS1-208Y-5.0-2-XX-S-A
x.x ±0.30	SHEET SIZE	A4		
x.xx ±0.20	Draw:	Daniel	2018-07-10	NingBo KLS ELECTRONIC CO.,L TD.
x.xxx ±0.10	Check:	Daniel	2018-07-10	

1  
RoHS Compliance



Recommended P.C.B Layout (Top Side)  
(PCB BOARD TOLERANCE ± 0.05)

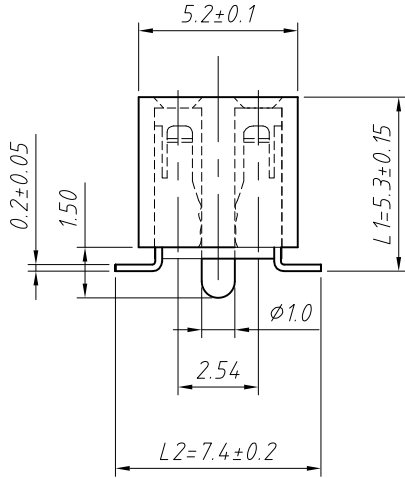
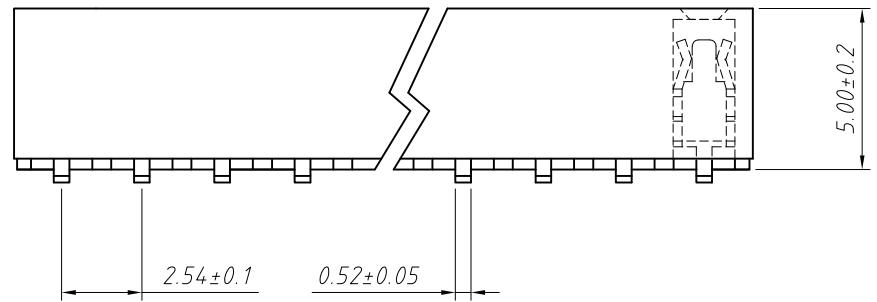
**Material:**  
Standard: PA6T  
Contact: Brass  
Plating: Au or Sn Over 50u" Ni  
Insulator: Polyester, UL 94 V-0

**Electrical Characteristics:**  
Rated Current: 3.0AMP  
Contact Resistance: 20mΩ Max  
Withstand Voltage: 1000V AC/DC  
Insulator Resistance: 1000MΩ Min

**Mechanical:**  
Operating Temperature: -40°C ~ +105°C  
Max. Processing Temp: 240°C for 30-60 seconds  
(260°C for 10 seconds)

**Order Information:**  
L-KLS1-208Y-5.0-2-XX-T-L1xL2-B-R

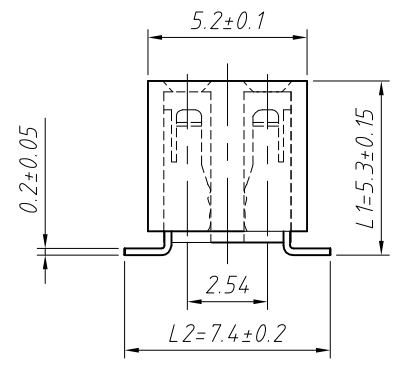
L: RoHS  
Pin Header Series  
208Y: 2.54mm  
Plastics Height: 5.0mm  
Per Row: Double layer  
Pin: No. of Pins (2x40)  
SMT: T=Without Post, T3=With Post  
Size: L1xL2  
Material: A=PBT B=PA6T C=LCP  
Packing:  
A=Tray T=Tube M=Reel+Mylar  
P=Tube+Cap R=Reel+Cap



T=Without Post

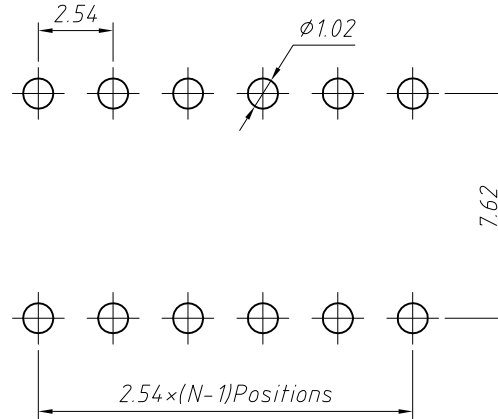
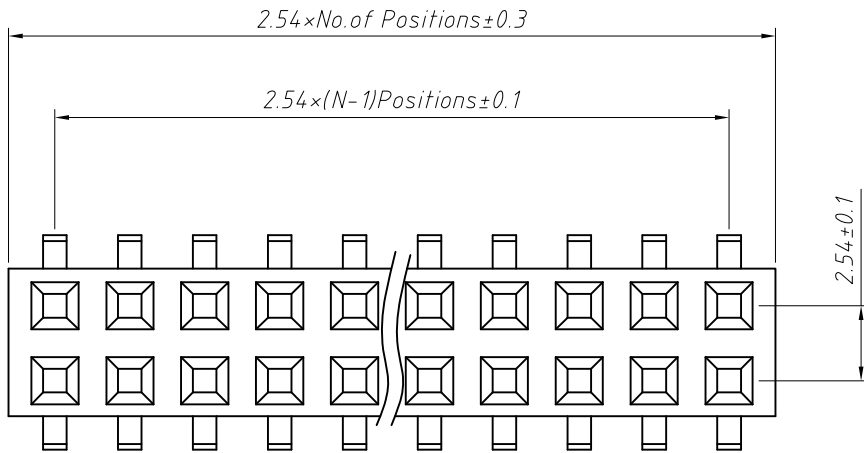
T3=With Post

Dimension antitheses list (mm)			
ITEM	L1	L2	Plastic Height
Standard	5.30	7.40	5.00
Nonstandard	---	---	---



ANGLE TOLERANCE	PROJECTION	Description:
±3°		2.54mm Female Header Double layer, SMT, 2xN Pin
GENERAL TOLERANCE	UNITS	mm
x.x ±0.30	SHEET SIZE	A4
x.xx ±0.20	Draw:	Daniel 2018-07-10
x.xxx ±0.10	Check:	Daniel 2018-07-10
		KLS NingBo KLS ELECTRONIC CO.,L TD.

1 RoHS Compliance

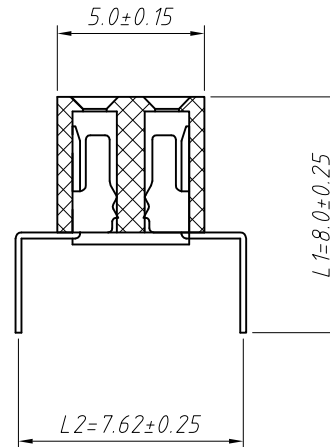
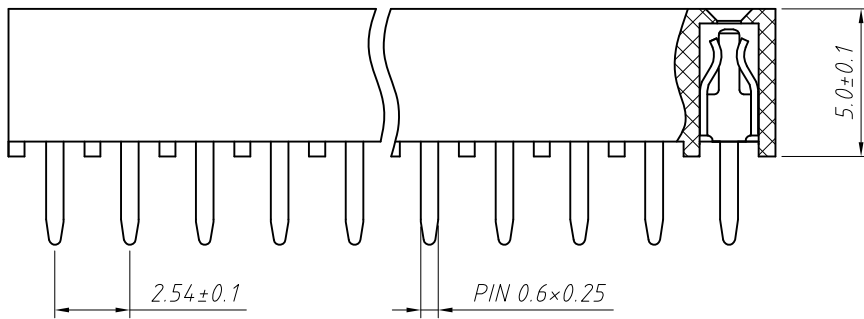


Recommended P.C.B Layout (Top Side)  
(PCB BOARD TOLERANCE ± 0.05)

**Material:**  
Standard: PA6T  
Contact: Brass  
Plating: Au or Sn Over 50u" Ni  
Insulator: Polyester, UL 94 V-0

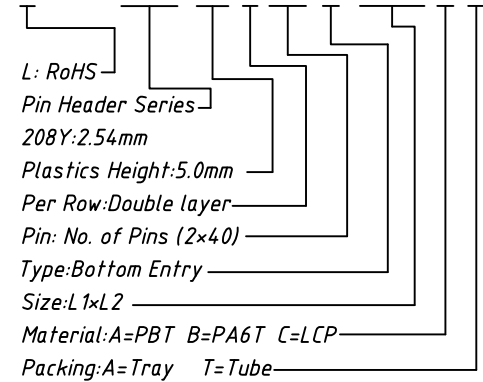
**Electrical Characteristics:**  
Rated Current: 3AMP  
Contact Resistance: 20mΩ Max  
Withstand Voltage: 1000V AC/DC  
Insulator Resistance: 1000MΩ Min

**Mechanical:**  
Operating Temperature: -40°C ~ +105°C  
Max. Processing Temp: 180°C for 30-60 seconds  
(200°C for 10 seconds)



**Order Information:**

L-KLS1-208Y-5.0-2-XX-W-L1xL2-B-A



Dimension antitheses list (mm)

ITEM	L1	L2	Plastic Height
Standard	8.00	7.62	5.00
Nonstandard	---	---	---

ANGLE TOLERANCE	PROJECTION	Description:
±3°		2.54mm Female Header Double layer, Straight Pin, 2xN Pin
GENERAL TOLERANCE	UNITS	mm
x.x ±0.30	SHEET SIZE	A4
x.xx ±0.20	Draw:	Daniel 2018-07-10
x.xxx ±0.10	Check:	Daniel 2018-07-10



NingBo KLS ELECTRONIC CO.,L TD.