

Notes:  
 Mode of protection:IP67  
 Temperature:-50oC ~ +125oC

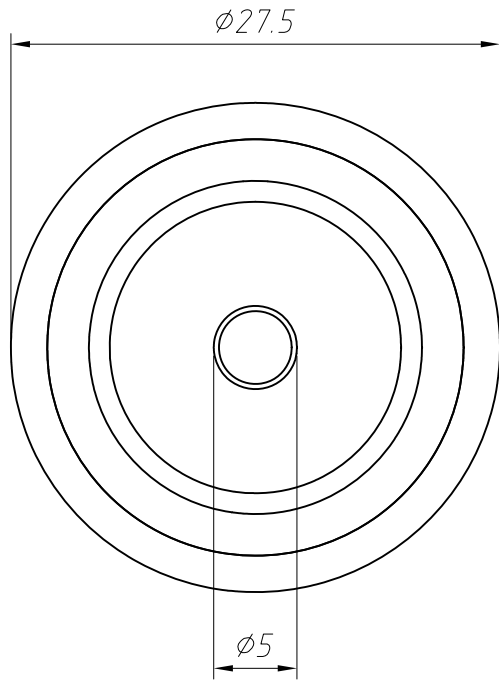
Dimensions	Tolerance
< 4mm	±0.20
4mm-15mm	±0.30
15mm-30mm	±0.40
30mm-50mm	±0.80
50mm-100mm	±1.00



Order Information  
 L-KLS8-0528-M16  
 ——— Size  
 ——— Model No.  
 ——— RoHS

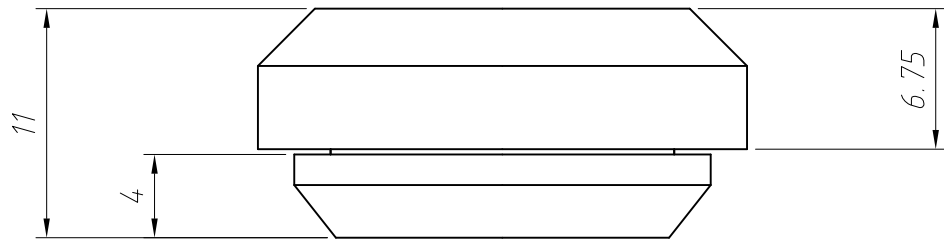
Size	For Cable	Hole Dia.	Panel Thickness	Color
M16	5~10	φ16.5	0.5~3.0	White

GENERAL TOLERANCE	PROJECTION		Description:
.X ±0.50	UNITS	mm	Rubber foots
.X ±0.25	SCALE	1:1	
.XX ±0.10	Draw by:	Jenny	
ANGLE TOLERANCE	Check by:		KLS P/N: L-KLS8-0528-M16
.X ±5°	Date	2018-03-01	NingBo KLS ELECTRONIC CO.,L TD.
.X ±3°	SHEET	1 OF 1	
.XX ±2°			



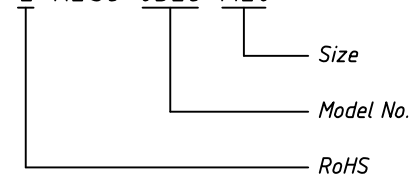
Notes:  
 Mode of protection: IP67  
 Temperature:  $-50^{\circ}\text{C} \sim +125^{\circ}\text{C}$

Dimensions	Tolerance
< 4mm	$\pm 0.20$
4mm-15mm	$\pm 0.30$
15mm-30mm	$\pm 0.40$
30mm-50mm	$\pm 0.80$
50mm-100mm	$\pm 1.00$



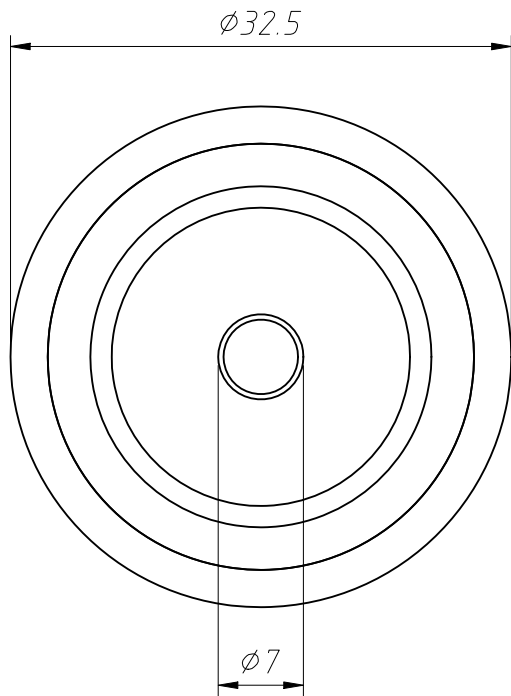
Order Information

L-KLS8-0528-M20



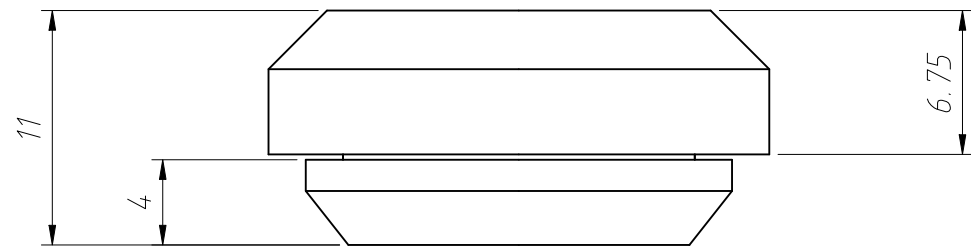
Size	For Cable	Hole Dia.	Panel Thickness	Color
M20	56~13	$\phi 20.5$	0.5~3.0	White

GENERAL TOLERANCE	PROJECTION		Description:
.X $\pm 0.50$	UNITS	mm	Rubber foots
.X $\pm 0.25$	SCALE	1:1	
.XX $\pm 0.10$	Draw by:	Jenny	KLS P/N: L-KLS8-0528-M20
ANGLE TOLERANCE	Check by:		NingBo KLS ELECTRONIC CO.,L TD.
.X $\pm 5^{\circ}$	Date	2018-03-01	
.X $\pm 3^{\circ}$	SHEET	1 OF 1	



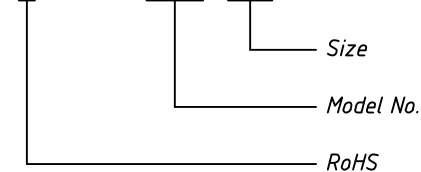
Notes:  
 Mode of protection:IP67  
 Temperature:-50oC ~ +125oC

Dimensions	Tolerance
<math>< 4mm</math>	$\pm 0.20$
4mm-15mm	$\pm 0.30$
15mm-30mm	$\pm 0.40$
30mm-50mm	$\pm 0.80$
50mm-100mm	$\pm 1.00$



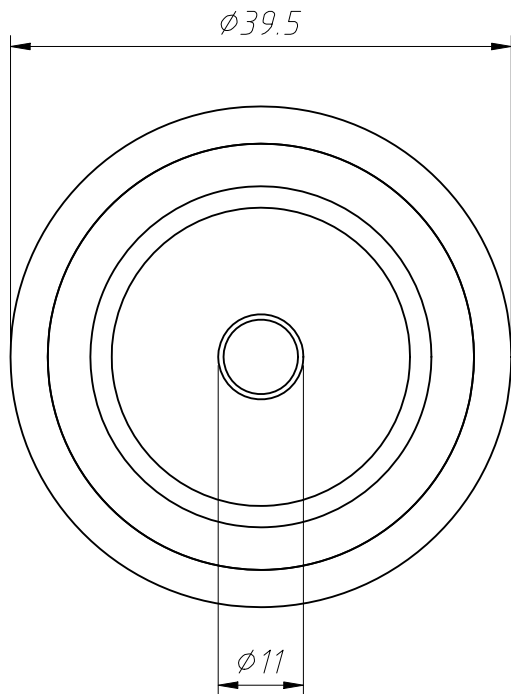
Order Information

L-KLS8-0528-M25



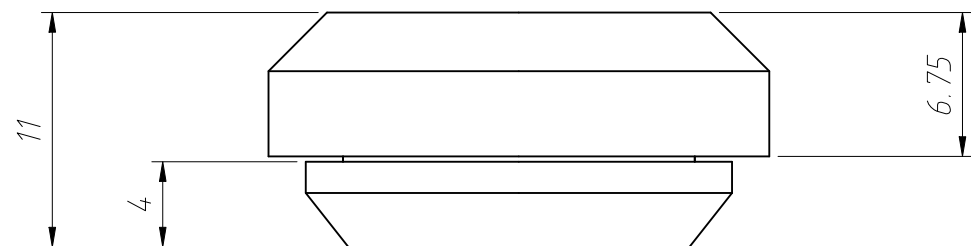
Size	For Cable	Hole Dia.	Panel Thickness	Color
M25	8~17	$\phi 25.5$	0.5~3.5	White

GENERAL TOLERANCE	PROJECTION		Description:
.X $\pm 0.50$	UNITS	mm	Rubber foots
.X $\pm 0.25$	SCALE	1:1	
.XX $\pm 0.10$	Draw by:	Jenny	KLS P/N: L-KLS8-0528-M25
ANGLE TOLERANCE	Check by:		NingBo KLS ELECTRONIC CO.,LTD.
.X $\pm 5^\circ$	Date	2022-04-27	
.X $\pm 3^\circ$	SHEET	1 OF 1	
.XX $\pm 2^\circ$			



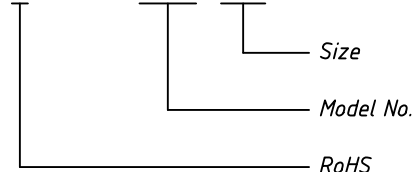
Notes:  
 Mode of protection:IP67  
 Temperature:-50oC ~ +125oC

Dimensions	Tolerance
<math>< 4mm</math>	$\pm 0.20$
4mm-15mm	$\pm 0.30$
15mm-30mm	$\pm 0.40$
30mm-50mm	$\pm 0.80$
50mm-100mm	$\pm 1.00$



Order Information

L-KLS8-0528-M32



Size	For Cable	Hole Dia.	Panel Thickness	Color
M32	12 ~ 24	$\phi 32.5$	0.5 ~ 4.5	White

GENERAL TOLERANCE	PROJECTION		Description:
.X $\pm 0.50$	UNITS	mm	Rubber foots
.X $\pm 0.25$	SCALE	1:1	
.XX $\pm 0.10$	Draw by:	Jenny	
ANGLE TOLERANCE	Check by:		KLS P/N: L-KLS8-0528-M32
.X $\pm 5^\circ$	Date	2022-04-27	NingBo KLS ELECTRONIC CO.,LTD.
.X $\pm 3^\circ$	SHEET	1 OF 1	
.XX $\pm 2^\circ$			