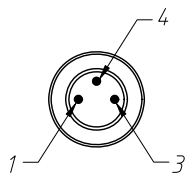
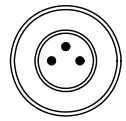
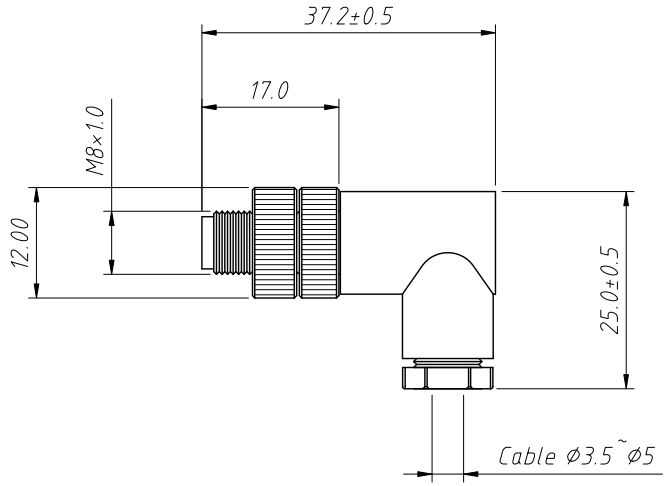
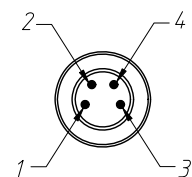


1
RoHS Compliance



L-KLS15-M8A-TR103



L-KLS15-M8A-TR104



Material:
Insulation: PBT/PA, UL 94 V-0, Black.
Connector Pin: Brass, 0.025u" Gold plated
Nut/Screw: Brass, Nickel plating

Electrical Characteristics:
Rated current: 4A
Rated voltage: 03Pin 60V, 04Pin 30V
Contact Resistance: 3mΩ Max

Mechanical properties:
IP rating: IP67
Wire gauge: 20~26AWG / 0.14~0.50mm²
Mechanical characteristics: mating/cycle > 100 cycle
Operating Temperature: -40°C ~ +85°C

Order Information:
L-KLS15-M8A-TR1 03
L: RoHS
Screw type: M8
A: A-Coding
Type: _____
TR1: R/A Plug Code (Male Pin)
TR2: R/A Plug Code (Female Pin)
Number of Contacts: (03P 04P)

ANGLE TOLERANCE	PROJECTION		Description:	
±3°			IP67 M8 A-coding R/A Plug Male Connector	
GENERAL TOLERANCE	UNITS	mm	KLS P/N:	L-KLS15-M8A-TR103
x.x ±0.30	SHEET SIZE	A4		
x.xx ±0.20	Draw:	Daniel	2022-04-01	NingBo KLS ELECTRONIC CO.,L TD.
x.xxx ±0.10	Check:	Daniel	2022-04-01	