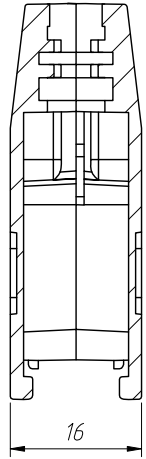
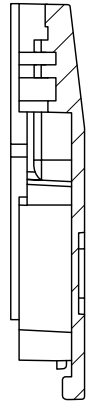


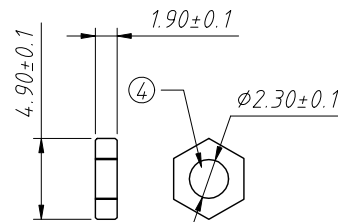
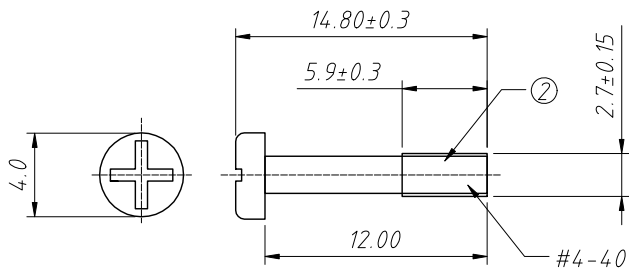
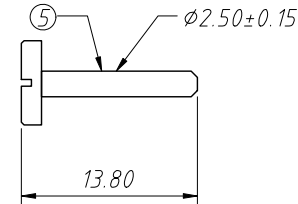
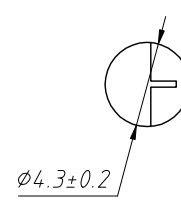
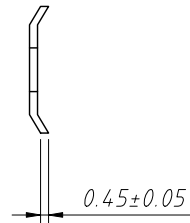
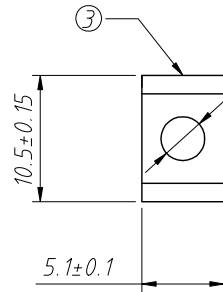
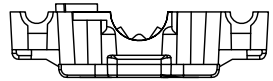
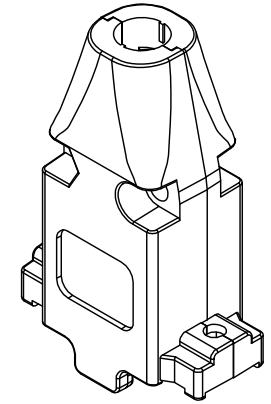
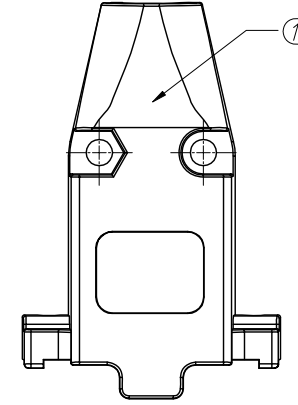
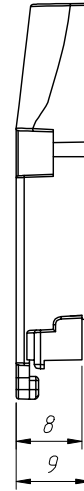
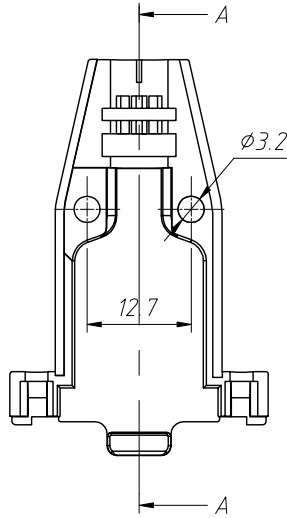
RoHS Compliance



Section A-A



Section A-A



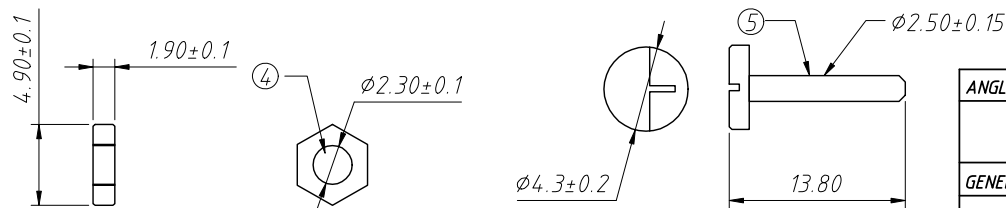
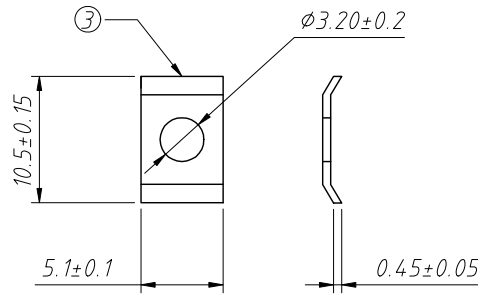
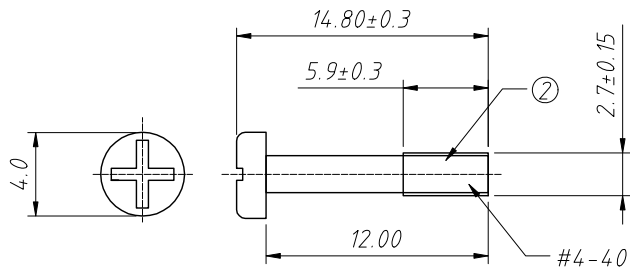
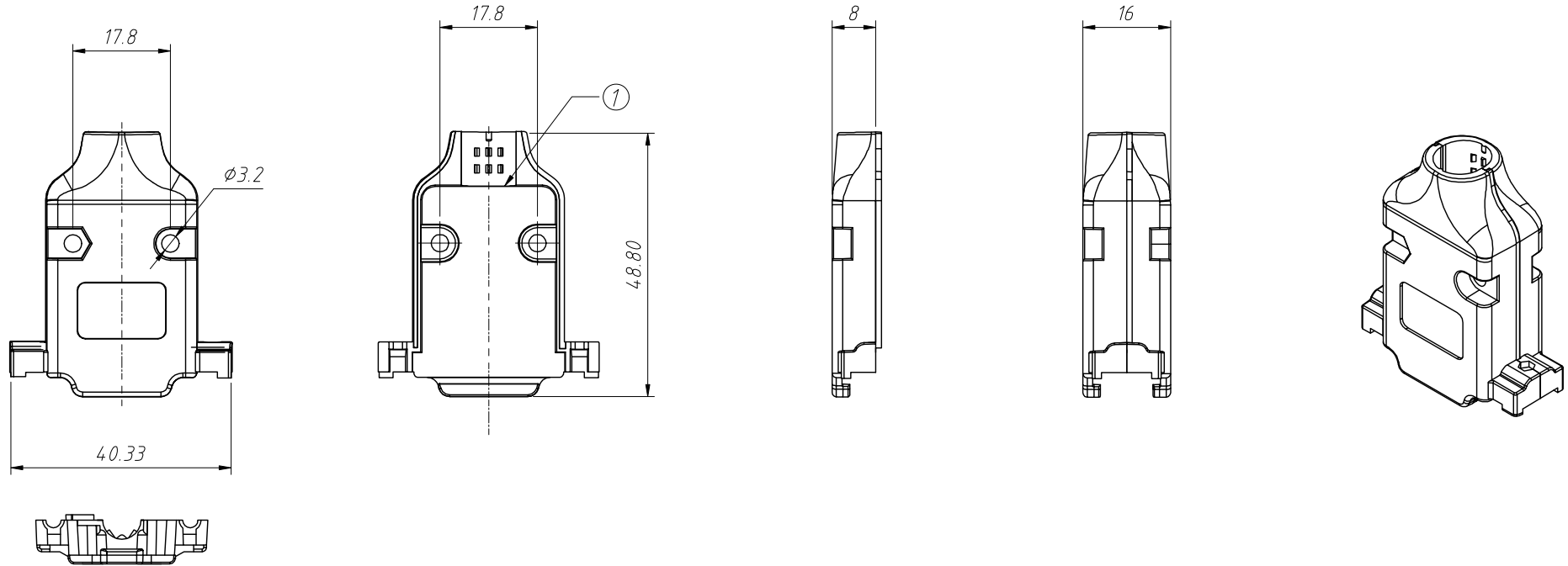
- Material:
- Housing: Zinc alloy, Trivalent chromium plating
  - Screw: Iron, Nickel plated, #4-40 UNC, L=14.80mm
  - Square gaskets: Iron, Nickel plated, Thickness 0.45mm
  - M3 Screw Cap: Iron, Nickel plated
  - M3.0x13.8mm Screw: Iron, Nickel plated
  - Unnoted tolerance: ±0.3mm

ANGLE TOLERANCE	PROJECTION	Description:
±3°		D-SUB Metal Hood ,09 Pin, Short screw
GENERAL TOLERANCE	UNITS	mm
x.x ±0.30	SHEET SIZE	A4
x.xx ±0.20	Draw:	Daniel 2022-4-20
x.xxx ±0.10	Check:	Daniel 2022-4-20



NingBo KLS ELECTRONIC CO.,LTD.

1 RoHS Compliance



Material:

1.Housing:Zinc alloy,

Trivalent chromium plating

2.Screw:Iron, Nickel plated,

#4-40 UNC,L=14.80mm

3.Square gaskets:Iron,Nickel plated,

Thickness 0.45mm

4.M3 Screw Cap:Iron,Nickel plated

5.M3.0×13.8mm Screw:Iron,Nickel plated

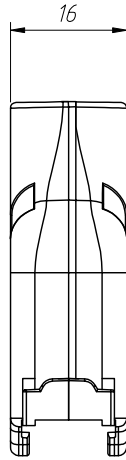
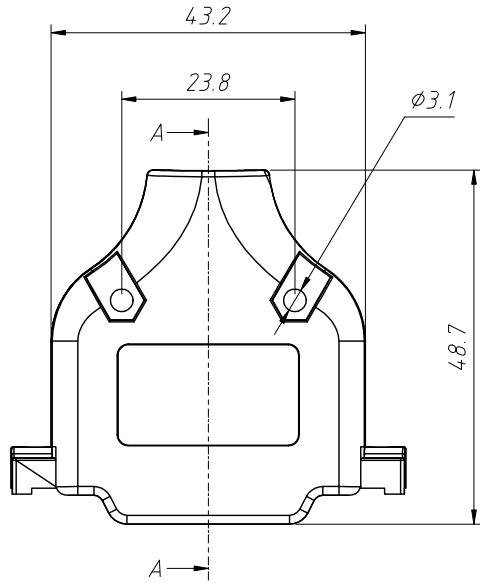
6.Unnoted tolerance:±0.3mm

ANGLE TOLERANCE	PROJECTION	Description:
±3°		D-SUB Metal Hood , 15 Pin, Short screw
GENERAL TOLERANCE	UNITS	mm
x.x ±0.30	SHEET SIZE	A4
x.xx ±0.20	Draw:	Daniel 2022-4-20
x.xxx ±0.10	Check:	Daniel 2022-4-20
		KLS P/N: L-KLS1-DBK-15P-S

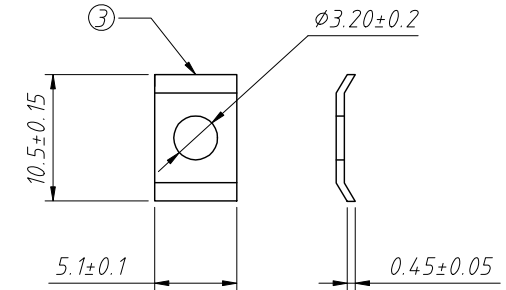
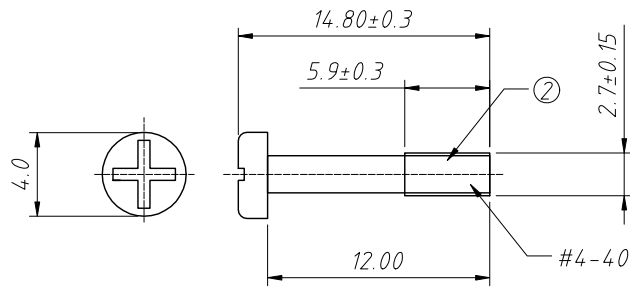
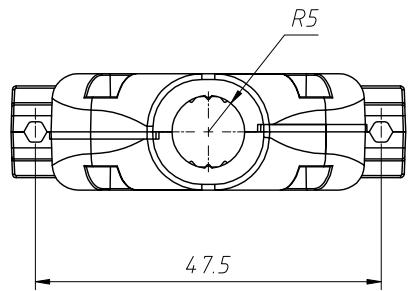
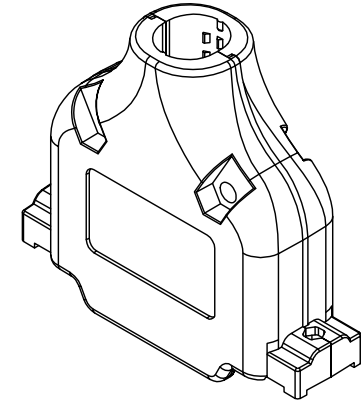
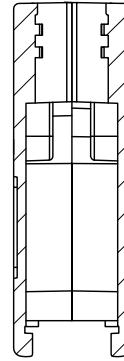


NingBo KLS ELECTRONIC CO.,L TD.

1 RoHS Compliance

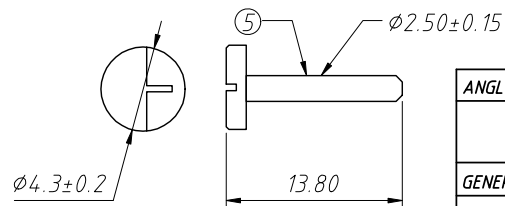
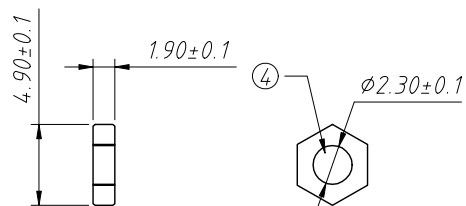


Section A-A



Material:

- 1.Housing:Zinc alloy,Trivalent chromium plating
- 2.Screw:Iron, Nickel plated,#4-40 UNC,L=14.80mm
- 3.Square gaskets:Iron,Nickel plated,Thickness 0.45mm
- 4.M3 Screw Cap:Iron,Nickel plated
- 5.M3.0×13.8mm Screw:Iron,Nickel plated
- 6.Unnoted tolerance:±0.3mm

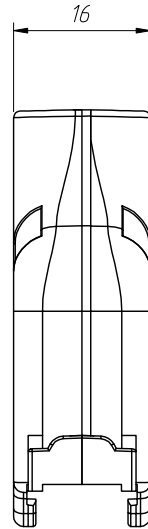
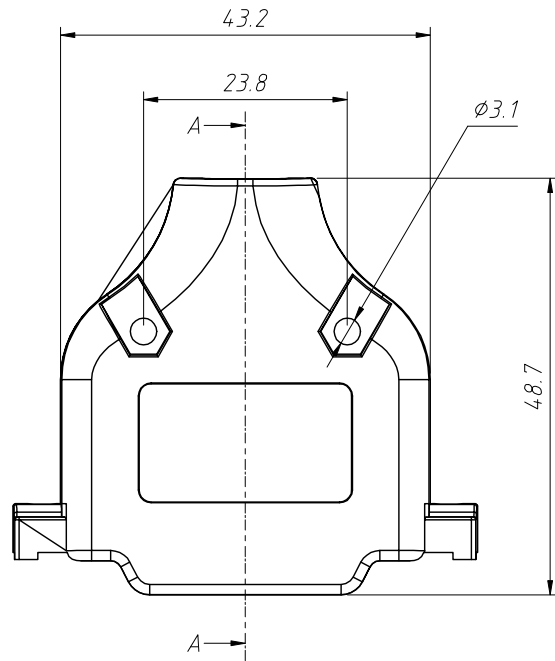


ANGLE TOLERANCE	PROJECTION	Description:
±3°		D-SUB Metal Hood ,25 Pin,Short screw
GENERAL TOLERANCE	UNITS	mm
x.x ±0.30	SHEET SIZE	A4
x.xx ±0.20	Draw:	Daniel 2022-4-20
x.xxx ±0.10	Check:	Daniel 2022-4-20

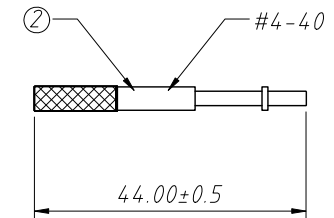
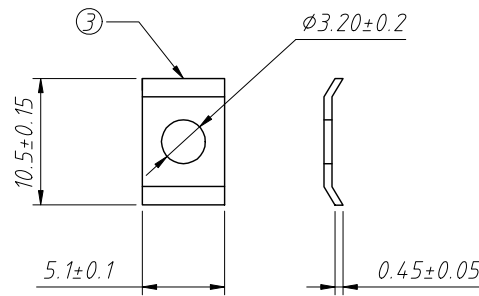
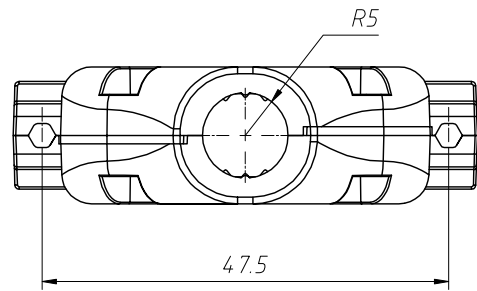
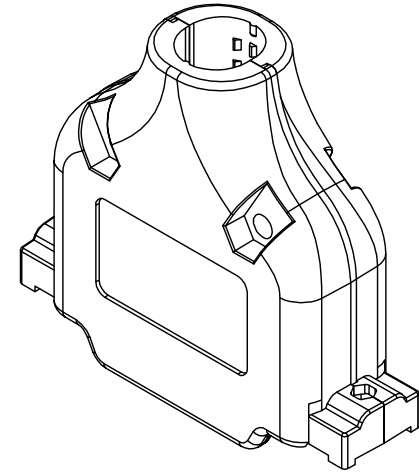
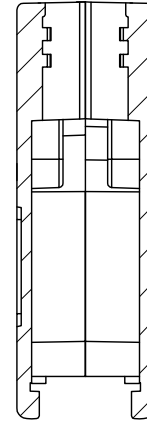


NingBo KLS ELECTRONIC CO.,L TD.

1 RoHS Compliance



Section A-A



Material:

1.Housing:Zinc alloy,Trivalent chromium plating

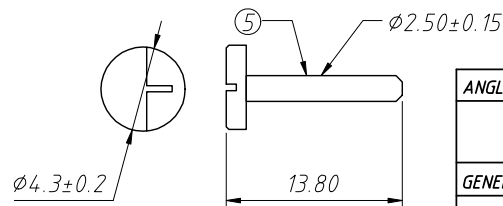
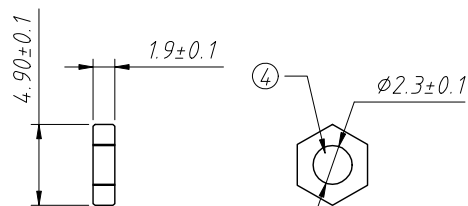
2.4×44mm Screw:Iron, Nickel plated,#4-40 UNC

3.Square gaskets:Iron,Nickel plated,Thickness 0.45mm

4.M3.0 Screw Cap:Iron,Nickel plated

5.M3×13.8mm Screw:Iron,Nickel plated

6.Unnoted tolerance:±0.3mm

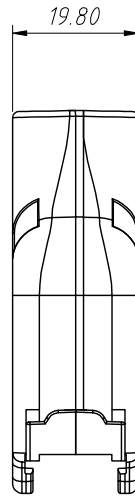
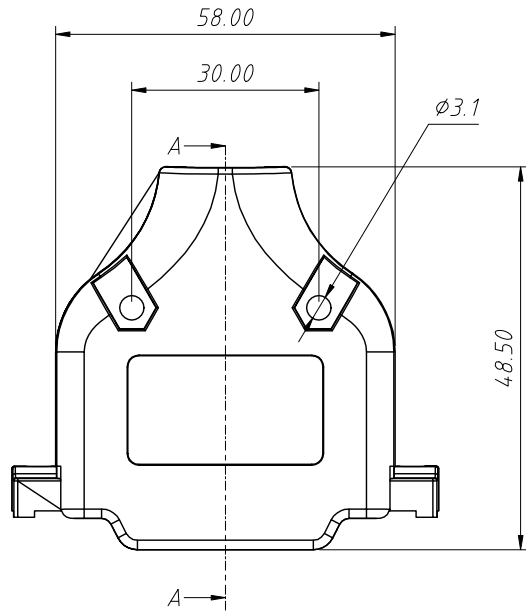


ANGLE TOLERANCE	PROJECTION	Description:
±3°		D-SUB Metal Hood ,25 Pin, Long screw
GENERAL TOLERANCE	UNITS	mm
x.x ±0.30	SHEET SIZE	A4
x.xx ±0.20	Draw:	Daniel 2022-4-20
x.xxx ±0.10	Check:	Daniel 2022-4-20

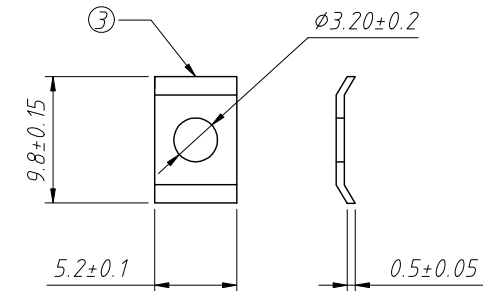
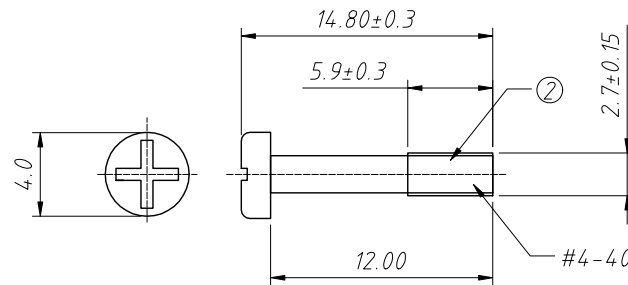
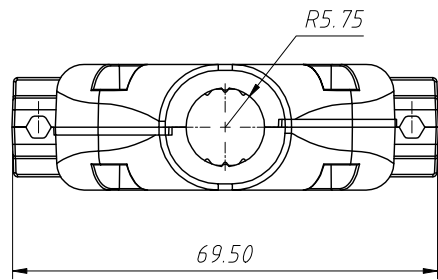
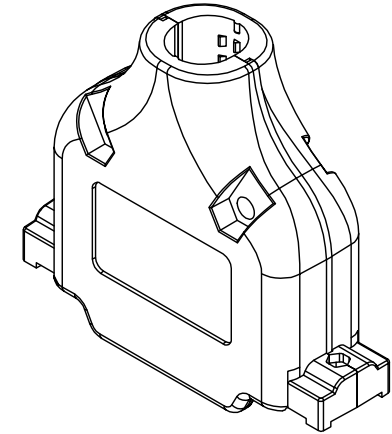
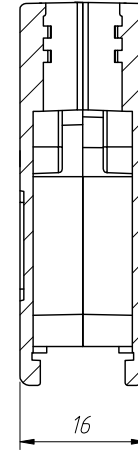


NingBo KLS ELECTRONIC CO.,L TD.

RoHS Compliance

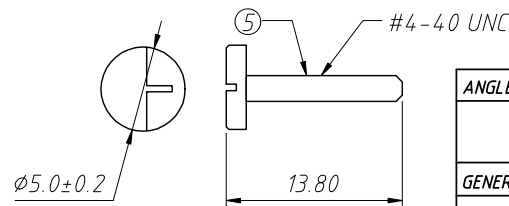
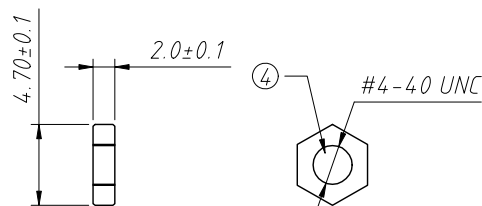


Section A-A



Material:

- 1.Housing:Zinc alloy,Trivalent chromium plating
- 2.Screw:Iron, Nickel plated,#4-40 UNC,L=14.80mm
- 3.Square gaskets:Iron,Nickel plated,Thickness 0.5mm
- 4.Screw Cap:#4-40 UNC Iron,Nickel plated
- 5.#4×13.8mm Screw:Iron,Nickel plated
- 6.Unnoted tolerance:±0.3mm



ANGLE TOLERANCE	PROJECTION	Description:	
±3°		D-SUB Metal Hood ,37 Pin,Short screw	
GENERAL TOLERANCE	UNITS	mm	KLS P/N:
x.x ±0.30	SHEET SIZE	A4	L-KLS1-DBK-37P-S
x.xx ±0.20	Draw:	Daniel	2022-4-20
x.xxx ±0.10	Check:	Daniel	2022-4-20



NingBo KLS ELECTRONIC CO.,L.TD.