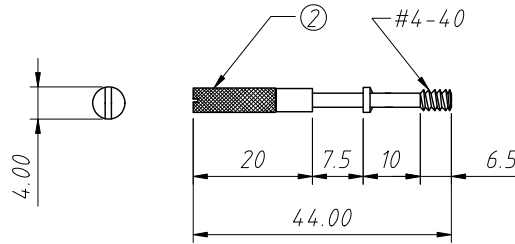
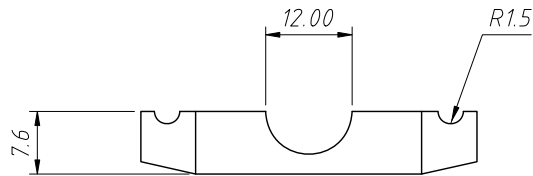
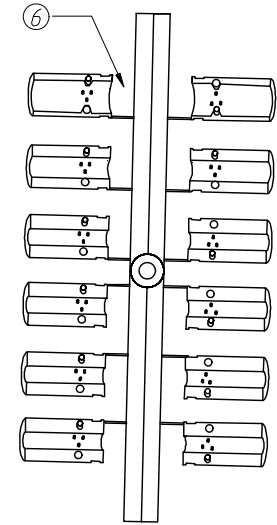
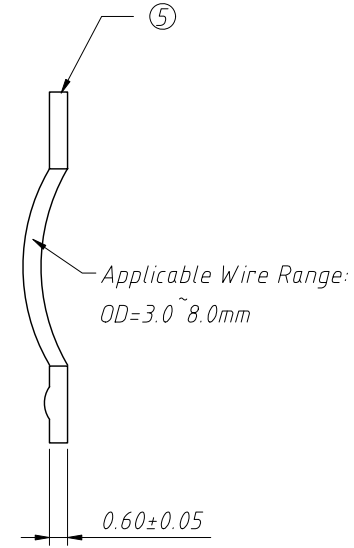
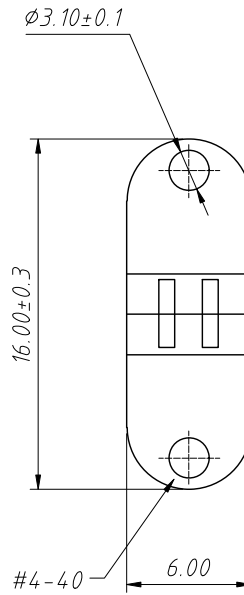
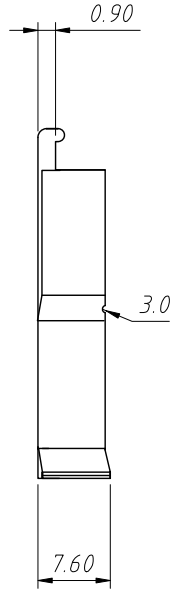
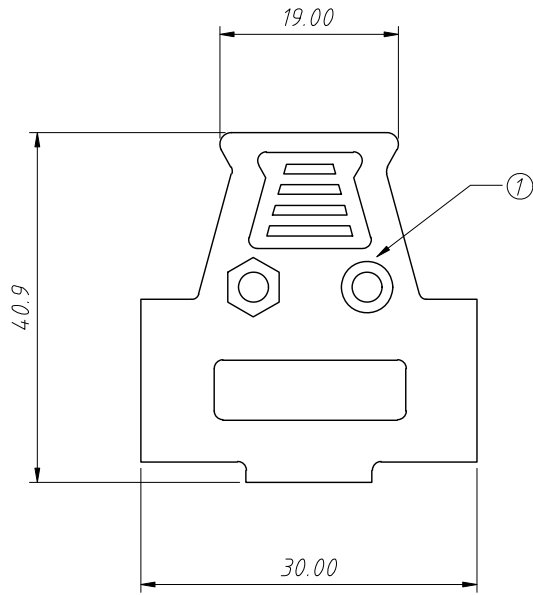
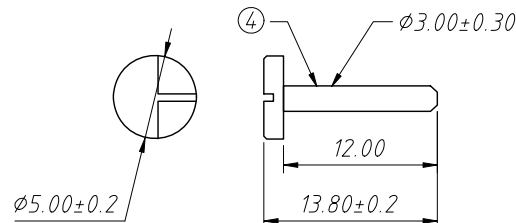
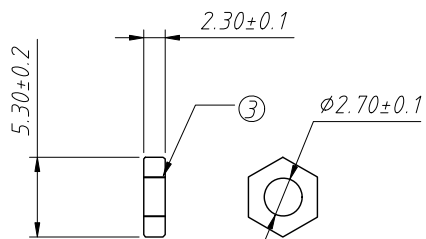


RoHS Compliance



Material:

- 1.Housing:Zinc alloy,Top and bottom cover,Nickel plating
- 2.Long screw 4×44mm:#4-40 UNC,Iron, Nickel plated
- 3.M3.0 Screw Cap:Iron,Nickel plated
- 4.M3.0×13.8mm Screw:Iron,Nickel plated
- 5.Clip wire:Iron,Nickel plated
- 6.ABS,Black Plastic wire card 5 6 7 8 9 10 mm Six choose one.
- 7.Unnoted tolerance:±0.3mm

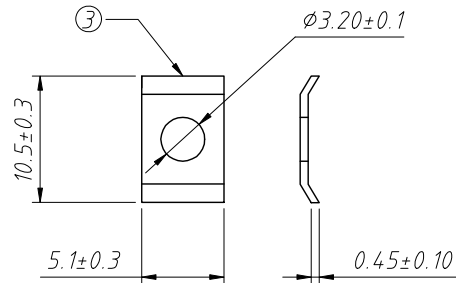
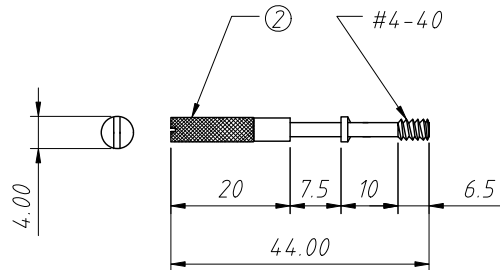
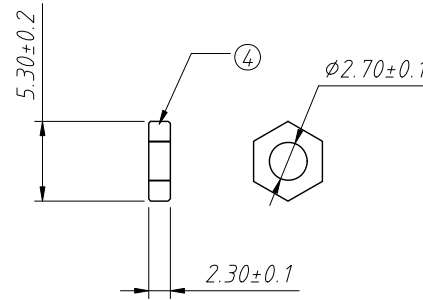
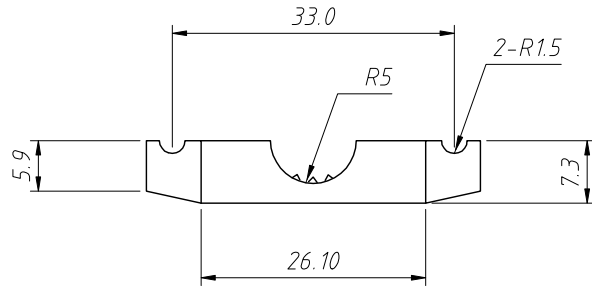
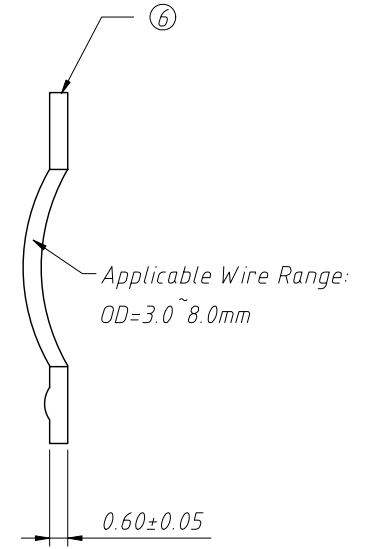
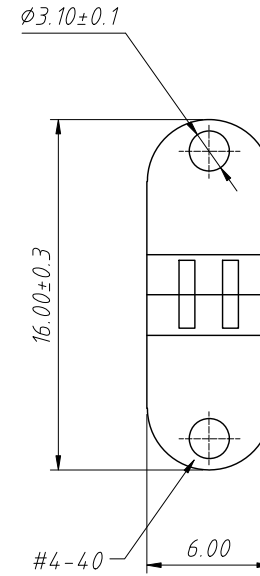
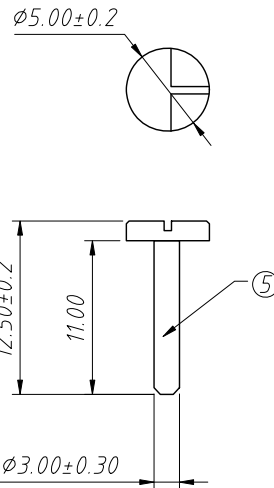
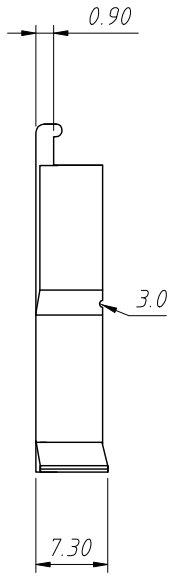
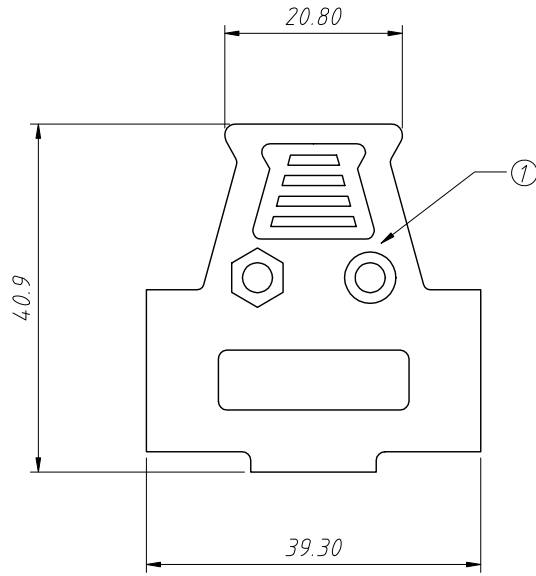


ANGLE TOLERANCE	PROJECTION	Description:	
±3°		D-SUB Metal Hood ,09 Pin,Long screw	
GENERAL TOLERANCE	UNITS	mm	KLS P/N:
x.x ±0.30	SHEET SIZE	A4	L-KLS1-DBG-09P-L
x.xx ±0.20	Draw:	Daniel	2022-04-20
x.xxx ±0.10	Check:	Daniel	2022-04-20



NingBo KLS ELECTRONIC CO.,L TD.

RoHS Compliance



Material:

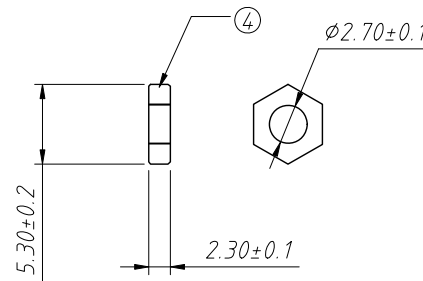
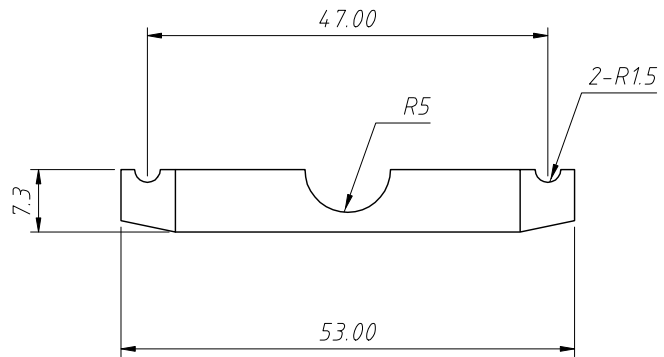
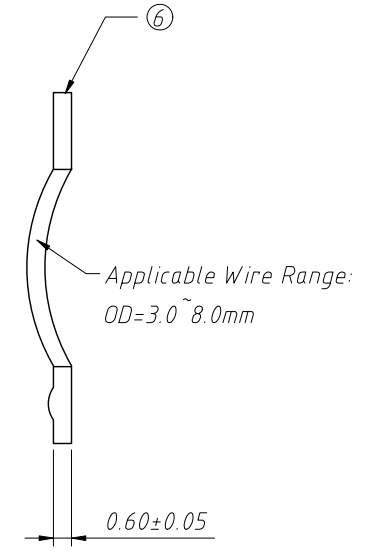
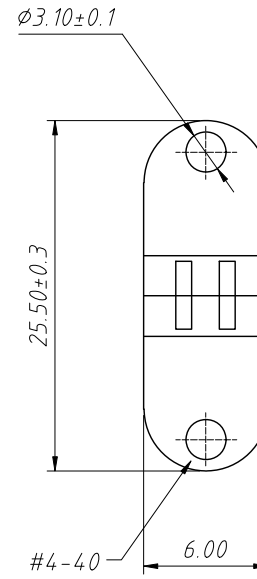
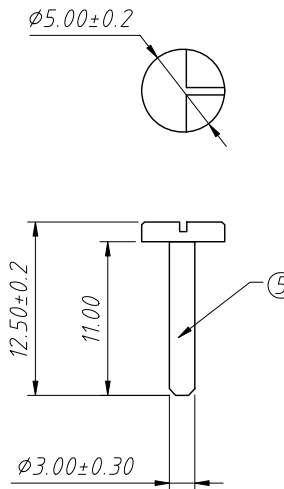
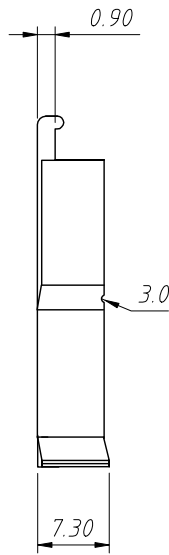
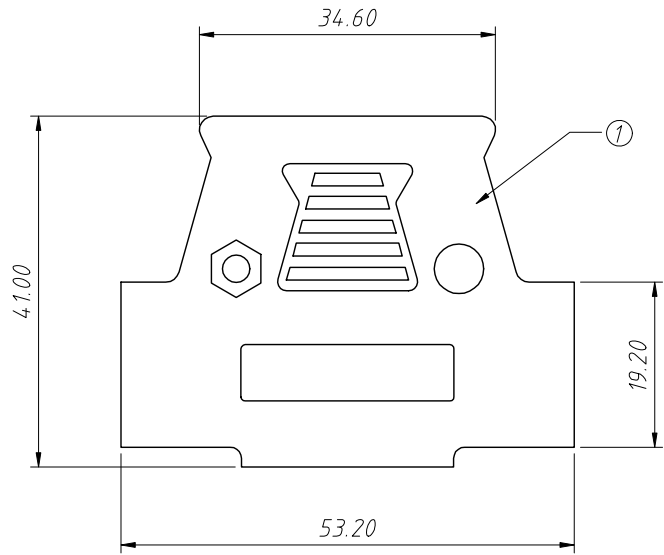
- 1.Housing:Zinc alloy,Top and bottom cover,Nickel plating
- 2.Long screw 4×44mm:#4-40 UNC,Iron, Nickel plated
- 3.Square gaskets:Iron,Nickel plated,Thickness 0.45mm
- 4.M3.0 Screw Cap:Iron,Nickel plated
- 5.M3.0×12.5mm Screw:Iron,Nickel plated
- 6.Clip wire:Iron,Nickel plated
- 7.Unnoted tolerance:±0.3mm

ANGLE TOLERANCE	PROJECTION	Description:
±3°		D-SUB Metal Hood ,15 Pin,Long screw
GENERAL TOLERANCE	UNITS	mm
x.x ±0.30	SHEET SIZE	A4
x.xx ±0.20	Draw:	Daniel 2022-04-20
x.xxx ±0.10	Check:	Daniel 2022-04-20



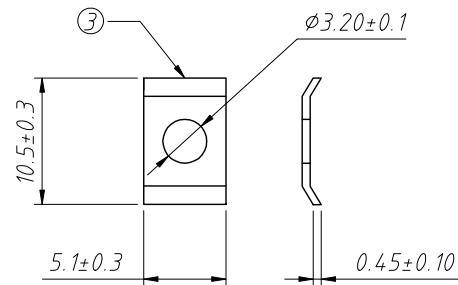
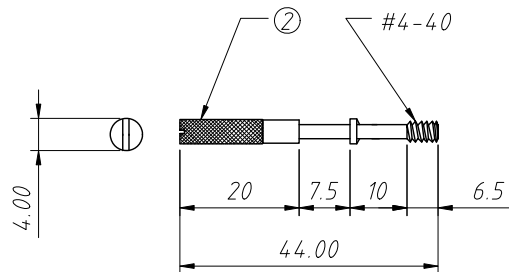
NingBo KLS ELECTRONIC CO.,L TD.

RoHS Compliance



Material:

- 1.Housing:Zinc alloy,Top and bottom cover,Nickel plating
- 2.Long screw 4x44mm:#4-40 UNC,Iron, Nickel plated
- 3.Square gaskets:Iron,Nickel plated,Thickness 0.45mm
- 4.M3.0 Screw Cap:Iron,Nickel plated
- 5.M3.0x12.5mm Screw:Iron,Nickel plated
- 6.Clip wire:Iron,Nickel plated
- 7.Unnoted tolerance:±0.3mm

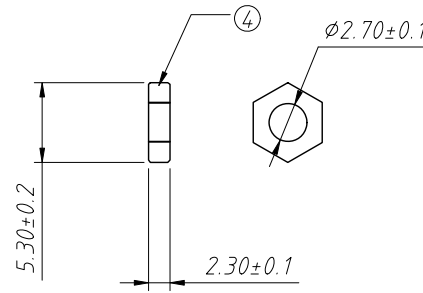
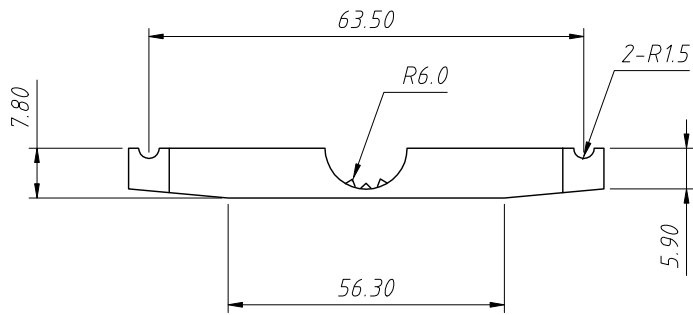
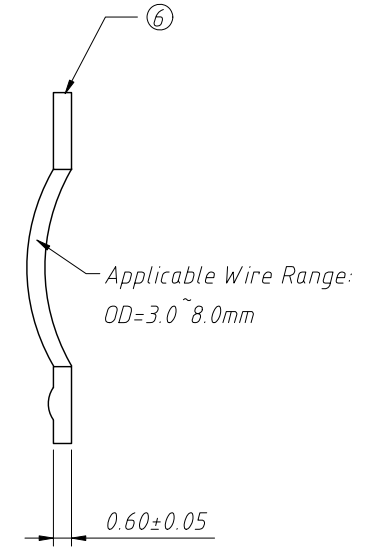
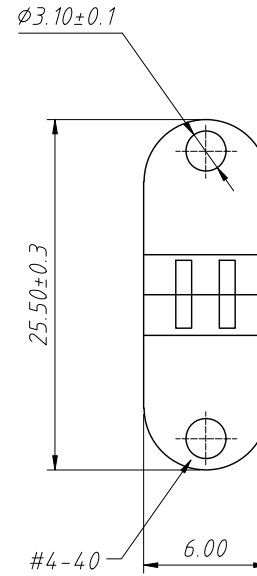
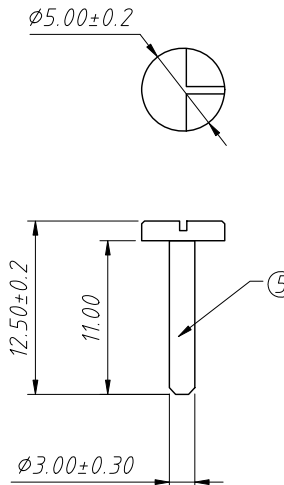
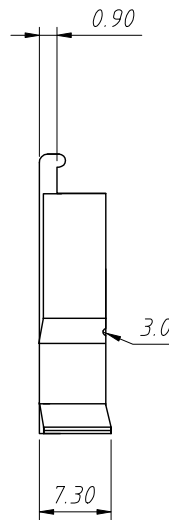
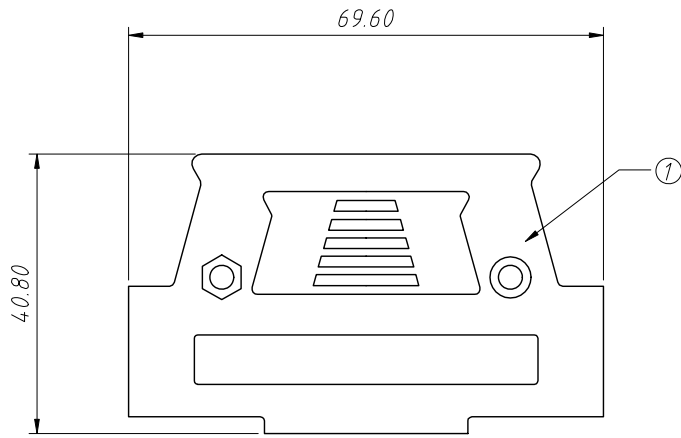


ANGLE TOLERANCE	PROJECTION	Description:	
±3°		D-SUB Metal Hood ,25 Pin,Long screw	
GENERAL TOLERANCE	UNITS	mm	KLS P/N:
x.x ±0.30	SHEET SIZE	A4	L-KLS1-DBG-25P-L
x.xx ±0.20	Draw:	Daniel	2022-04-20
x.xxx ±0.10	Check:	Daniel	2022-04-20



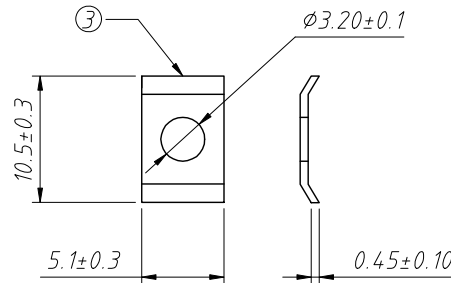
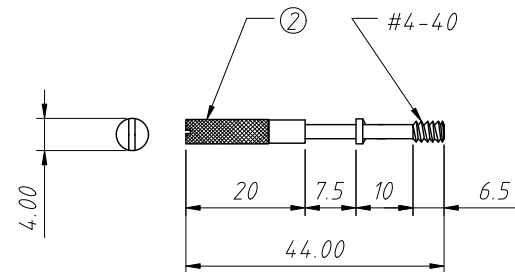
NingBo KLS ELECTRONIC CO.,L TD.

RoHS Compliance



Material:

- 1.Housing:Zinc alloy,Top and bottom cover,Nickel plating
- 2.Long screw 4×44mm:#4-40 UNC,Iron, Nickel plated
- 3.Square gaskets:Iron,Nickel plated,Thickness 0.45mm
- 4.M3.0 Screw Cap:Iron,Nickel plated
- 5.M3.0×12.5mm Screw:Iron,Nickel plated
- 6.Clip wire:Iron,Nickel plated
- 7.Unnoted tolerance:±0.3mm



ANGLE TOLERANCE	PROJECTION	Description:
$\pm 3^\circ$		D-SUB Metal Hood ,37 Pin,Long screw
GENERAL TOLERANCE	UNITS	KLS P/N:
x.x ± 0.30	mm	L-KLS1-DBG-37P-L
x.xx ± 0.20	SHEET SIZE	NingBo KLS ELECTRONIC CO.,L TD.
x.xxx ± 0.10	A4	
	Draw: Daniel	
	Check: Daniel	2022-04-20