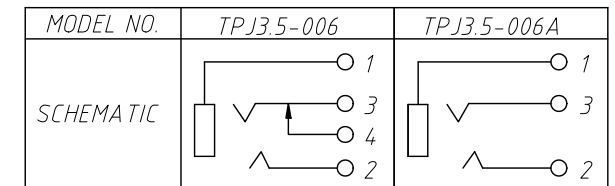
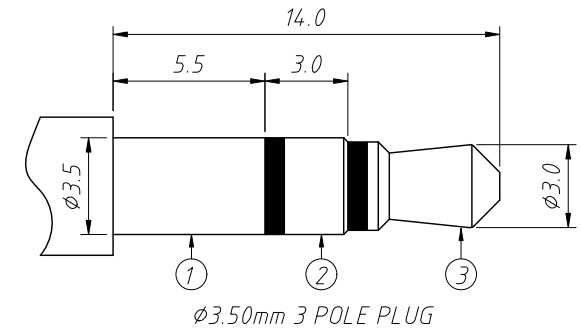
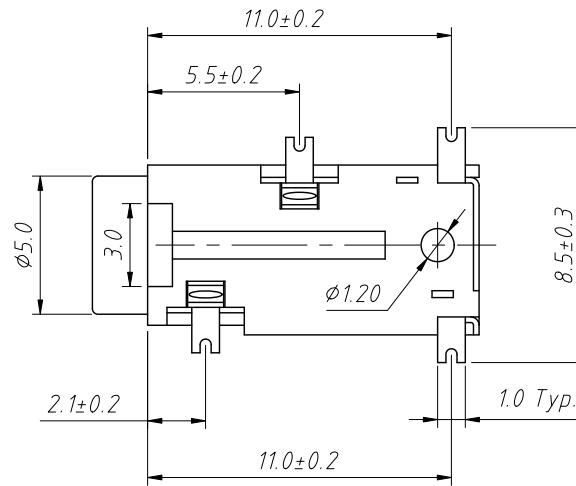
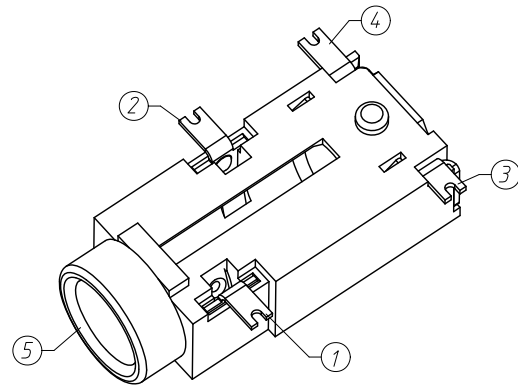
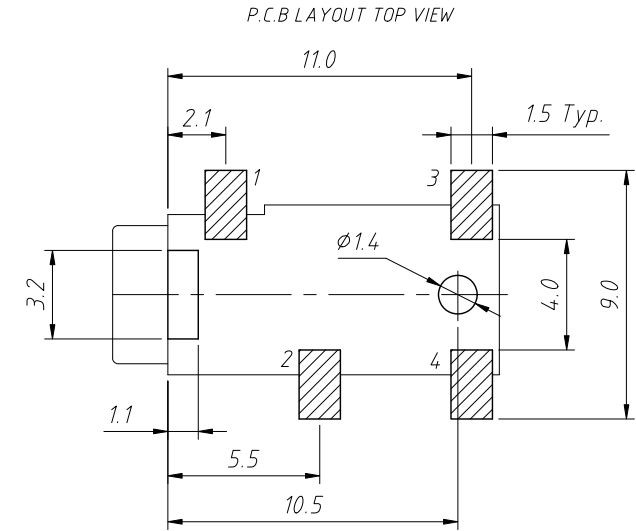
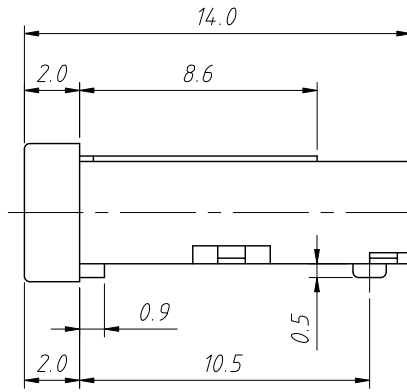
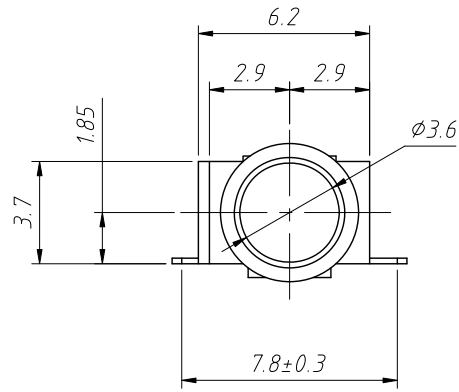


1 RoHS Compliance



Material:

- 1.1# Contact Foot:Bronze,Ag-Plating
- 2.2# Contact Foot:Bronze,Ag-Plating
- 3.3# Contact Foot:SUS301,Ag-Plating
- 4.4# Contact Foot:Brass,Ag-Plating
- 5.Housing:PA9T

Specification:

- 1.Rating:DC 30V 0.5A
- 2.Contact resistance:0.03Ω Max
- 3.Insulation resistance100MΩ Min (DC250V)
- 4.Withstand voltage:500VAC
- 5.Insertion and extraction force:3-20N
- 6.Life test:5000 cycles.

ANGLE TOLERANCE	PROJECTION	Description:
±3°		3.5mm phone jack audio connectors
GENERAL TOLERANCE	UNITS	mm
x.x ±0.30	SHEET SIZE	A4
x.xx ±0.20	Draw:	Daniel 2022-04-13
x.xxx ±0.10	Check:	Daniel 2022-04-13

KLS NingBo KLS ELECTRONIC CO.,L TD.