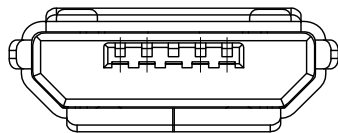
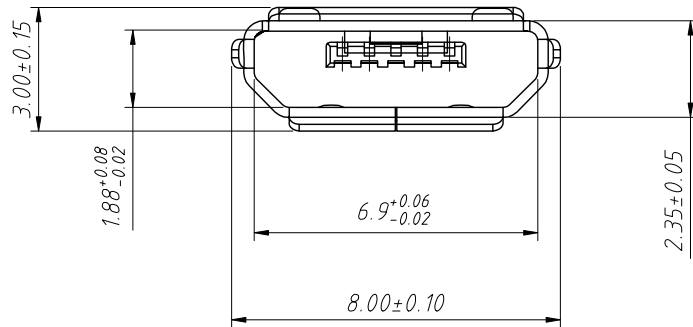
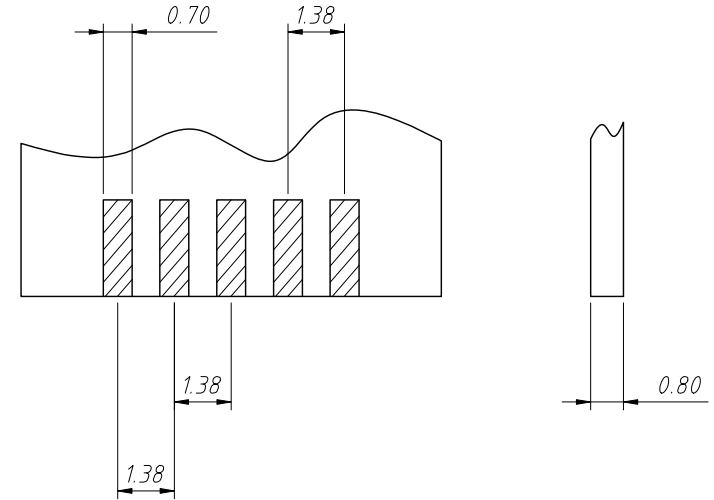
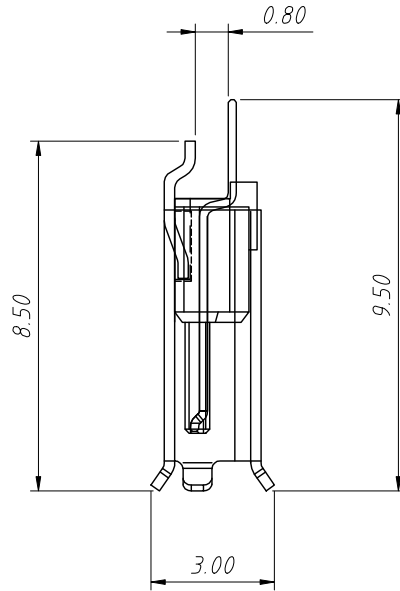
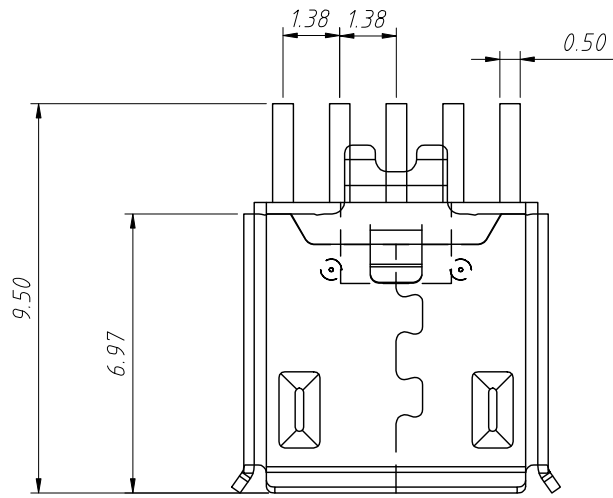


1 RoHS Compliance



Material:

1. Insulation: Thermoplastic
2. Shell: Copper Alloy/SPCC, T=0.30mm, Plating: Nickel
3. Terminal: Copper Alloy, T=0.25mm, Plating: Gold/Tin Plated.

Electrical Characteristics:

1. Insulator Resistance: 1000MΩ Min
2. Contact Resistance: 30mΩ Max
3. Withstanding Voltage: 500V AC/minute

Mechanical Characteristics:

1. Insertion Force: 3.57Kgf MAX.
2. Extraction Force: 1.02Kgf MIN.

ANGLE TOLERANCE	PROJECTION	Description:	CONN MICRO USB 5P Clip type 0.8mm, Curling Blister packing
±3°			
GENERAL TOLERANCE	UNITS	mm	KLS P/N: L-KLS1-4252
x.x ±0.30	SHEET SIZE	A4	NingBo KLS ELECTRONIC CO.,L.TD.
x.xx ±0.20	Draw:	Daniel 2022-03-11	
x.xxx ±0.10	Check:	Daniel 2022-03-11	