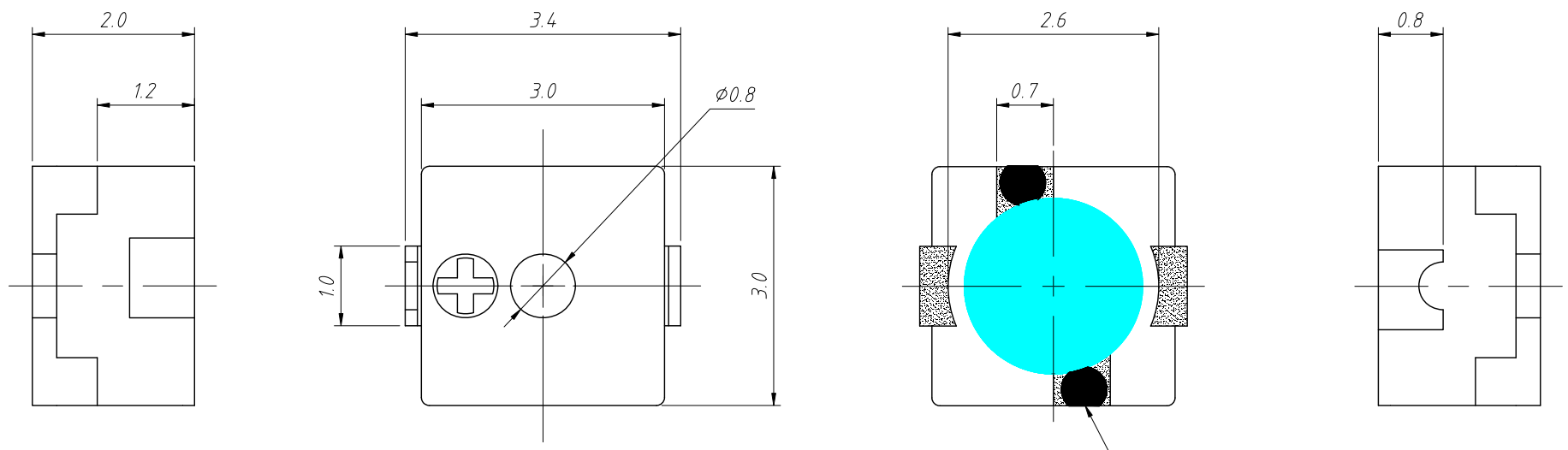


1
RoHS Compliance

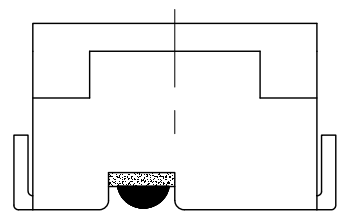


Protective adhesive

Material:
Housing: LCP, Black
Leading Pin: Tin Plated Brass (Sn)

Electrical Characteristics:
Rated Voltage: 3.0 Vo-p
Operating Voltage: 2 ~ 4 Vo-p
Current Consumption: 90mA Max, at Rated Voltage
Sound Pressure Level: 65dB Min, at 10cm at Rated Voltage
Coil Resistance: $17\Omega \pm 3$
Oscillation Frequency: 4500Hz, Vo-p=1/2 duty, square wave
Operating Temperature: $-20^{\circ}\text{C} \sim +70^{\circ}\text{C}$
Weight: 0.1g Max

Environmental Protection Regulation: RoHS



Order Information:
L-KLS3-SMT-3020-3V

L: RoHS
SMT Buzzer
Size: 3x3x2mm
Rated Voltage: 3V

ANGLE TOLERANCE	PROJECTION	Description:	
$\pm 3^{\circ}$		3x3x2mm SMT Transducer Buzzer	
GENERAL TOLERANCE	UNITS	mm	KLS P/N:
x.x ± 0.30	SHEET SIZE	A4	L-KLS3-SMT-3020-3V
x.xx ± 0.20	Draw:	Daniel	2022-03-10
x.xxx ± 0.10	Check:	Daniel	2022-03-10



NingBo KLS ELECTRONIC CO., L TD.