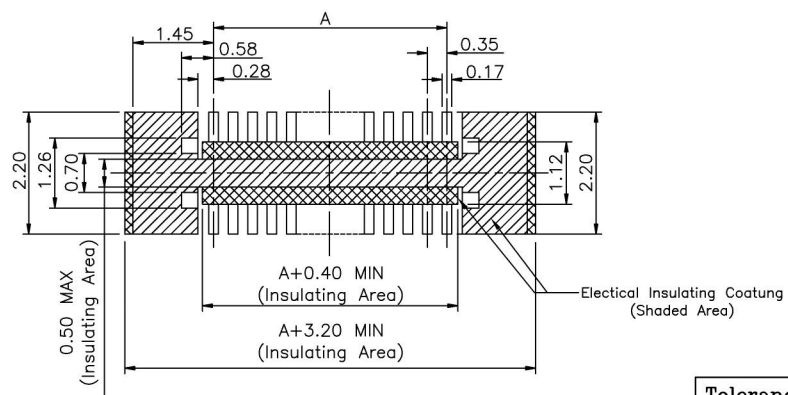
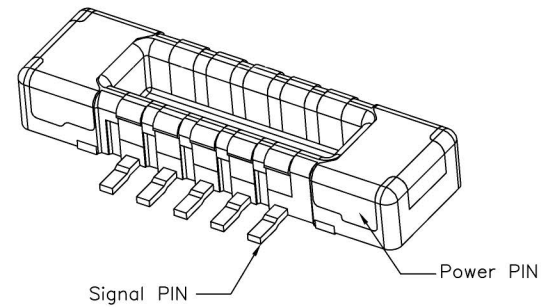
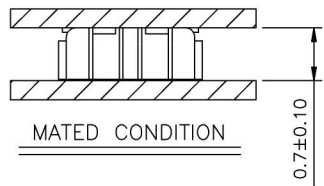
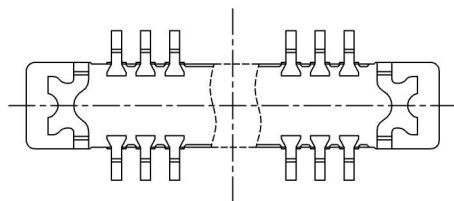
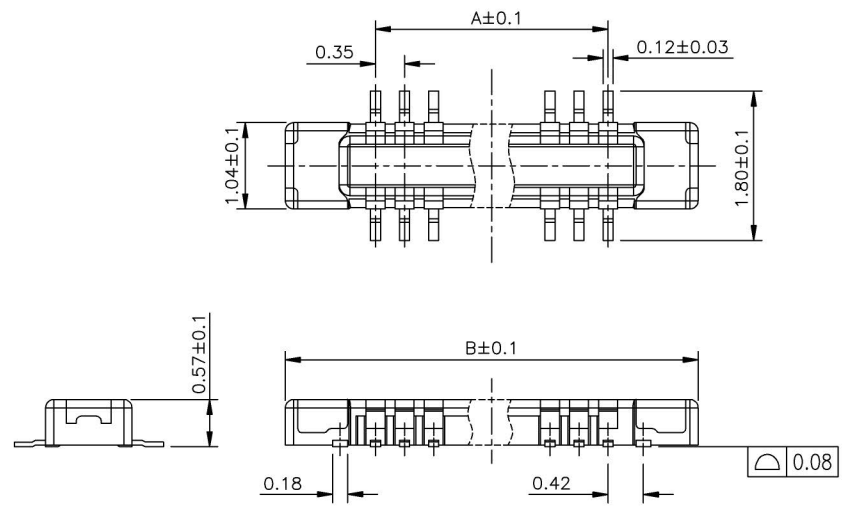


REV.	SPECIFICATION	ECN NO.	APPD.



L-KLS1-B0135-057M-XX-T-R

L: RoHS
 Board To Board
 Pitch-0.35mm
 Height-0.57mm
 Type:M-Male
 XX-No. Of Contact
 Installation mode:
 T=SMD Without Post
 Packing:R=Reel T-Tube

Material:

Housing: LCP, UL94V-0, Black.
Signal PIN: Phosphor Bronze, Gold Plated on Contact Area and Gold Flash on Solder Tail over Nickel.
Power PIN: Phosphor Bronze, Gold Plated.
Solder Tab: Phosphor Bronze, Gold Flash on Solder Tail over Nickel.

Electrical Characteristics:

Current Rating: 0.3 AMP For Signal PIN, 5.0 AMP For Power PIN.
Voltage Rating: AC 50V.
Dielectric Withstanding Voltage: AC 250V.
Insulation Resistance: 100MΩ min.
Contact Resistance: 70mΩ max For Signal PIN, 20mΩ max For Power PIN.
Operating Temperature: -40°C~+85°C.

***RoHS Compliant**

"*" Available Position			
Positions	A	B	
*	10	1.40	3.57
	24	3.85	6.02
	30	4.90	7.07
	34	5.60	7.77
	38	6.30	8.47
	40	6.65	8.82
	44	7.35	9.52
	50	8.40	10.57
	60	10.15	12.32

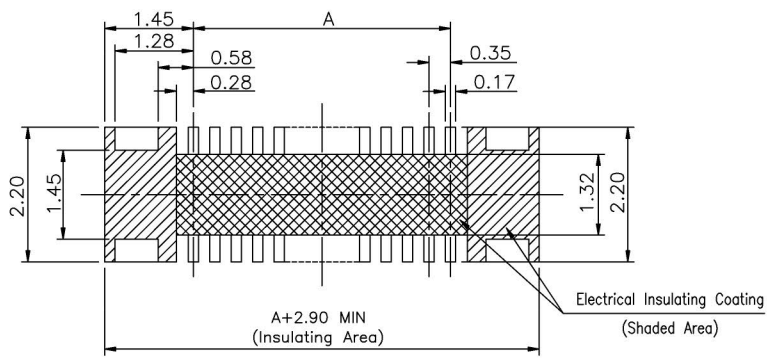
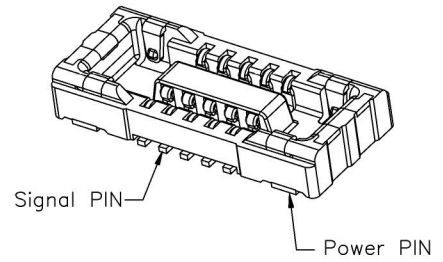
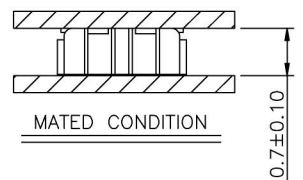
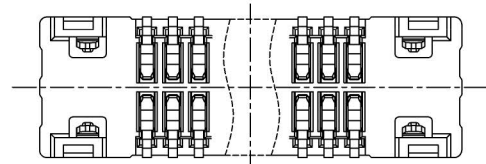
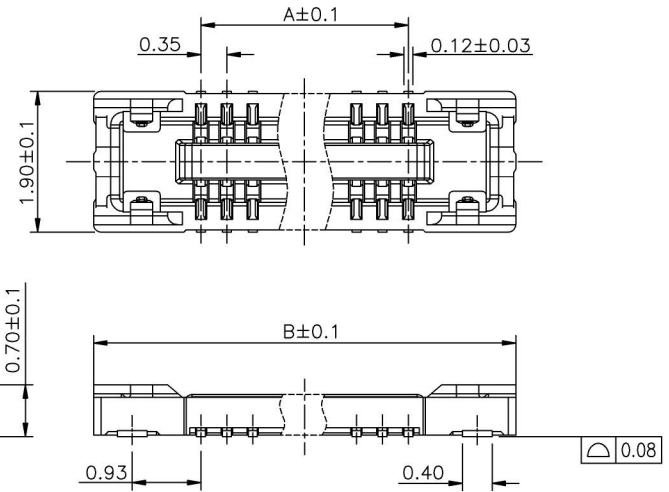
P.C.Board Layout
 Tolerance: ±0.02

Tolerances	Dwg No. S2320201102-03	Title:	
.x = ±0.25	Projection	2394 Series	
.xx = ±0.15	Unit mm	Scale 1:N	Pitch 0.35mm Male
.xxx = ±0.10	Drawn By Emma 11/10'20	Scale 1:N	Board to Board Connector

Title:
 2394 Series
 Pitch 0.35mm Male
 Board to Board Connector

NINGBO KLS ELECTRONIC CO; LTD			
P/N: L-KLS1-B0135-057M-XX-T-R			
SHEET	1/1	Ver.No.	X1

REV.	SPECIFICATION	ECN NO.	APPD.



L-KLS1-B0135-070F-XX-T-R

L: RoHS
 Board To Board
 Pitch-0.35mm
 Height-0.70mm
 Type:F-Female
 XX-No. Of Contact
 Installation mode:
 T=SMD Without Post
 Packing:R=Reel T=Tube

"X" Available Position			
Positions	A	B	
* 10	1.40	4.30	
24	3.85	6.75	
30	4.90	7.80	
34	5.60	8.50	
38	6.30	9.20	
40	6.65	9.55	
44	7.35	10.25	
50	8.40	11.30	
60	10.15	13.05	

P.C.Board Layout
 Tolerance: ±0.02

Tolerances	Dwg No.	S2320201102-05	Title:	
.x = ±0.25	Projection		2394 Series	
.xx = ±0.15	Unit	mm	Scale	1:N
.xxx = ±0.10	Drawn By	Emma 11/10'20	Pitch 0.35mm Female Board to Board Connector	
			①567	

NINGBO KLS ELECTRONIC CO; LTD

P/N: L-KLS1-B0135-070F-XX-T-R

SHEET	1/1	Ver.No.	X1
--------------	-----	----------------	----