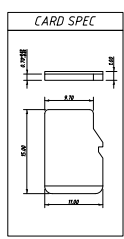
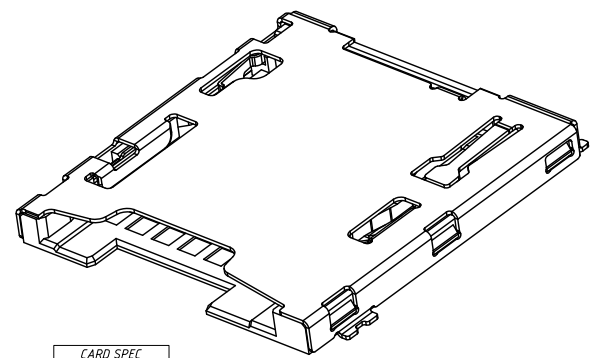
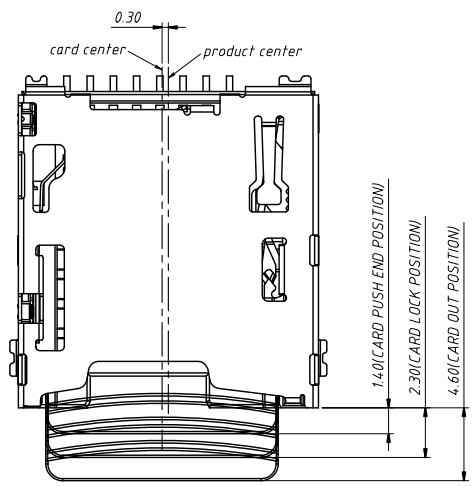


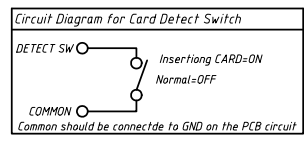
PIN NO.	DISCRPTION
Pin 1	DAT2:Data line
Pin 2	CD/DAT3:Card Detect/Data line
Pin 3	CMD:Command/Response
Pin 4	VDD:Supply voltage
Pin 5	CLK:Clock
Pin 6	VSS:Supply voltage ground
Pin 7	DAT0:Data line
Pin 8	DAT1:Data line
Pin 9	Detect SW(GND)
Pin 10	Detect SW(CD)
GND	Cover GND

RECOMMENDED PCB LAYOUT
 TOLERANCE UNLESS OTHERWISE IS ±0.05
 [Cross-hatched symbol] :PROHIBITION AREA [Diagonal lines symbol] :Solder PAD



1. Material :
- 1.1 Housing:LCP UL94 V-0, Black Color.
 - 1.2 Shell: Stainless Steel
 - 1.3 Contact: Phosphor Bronze

2. Finish :
- 2.1 Contact: Gold Plating On Contact Area, Matte Tin 100u"Min On Solder tail Area.50u" Min Nickel Plating Overall.
 - 2.2 Shell: 30u" Min Nickel Plating overall. Au 1u"Min On Solder tail Area.
3. Electrical Characteristics:
- 3.1 Operating Voltage : 100V AC(rms)/DC.
 - 3.2 Current Rating : 0.5 A.
 - 3.3 Operating Temperature: -25°C ~ +85°C.
 - 3.4 Contact Resistance: 100mΩ MAX.
 - 3.5 Insulation Resistance: 1000MΩ MIN. AT 250VDC.
 - 3.6 Dielectric Withstanding Voltage:500 VAC/1minute.
4. Tape Reel Package, 1200PCS/Reel



GENERAL TOLERANCE	ANGLE TOLERANCE	PROJECTION	Description:
.X ±0.15	.X ±5°	UNITS	Micro SD Card CONN;PUSH/ PULL,H1.5mm,SMD with CD Pin L-KLS1-SD104
.X ±0.03	.X ±3°	SHEET SIZE	
.XX ±0.05	.XX ±2°	KLS P/N:	

Draw by:	Jenny	Date:	2018-03-10
Check by:		Date:	2018-03-10
SCALE		SHEET	1 OF 1

KLS
 NingBo KLS ELECTRONIC CO.,L TD.