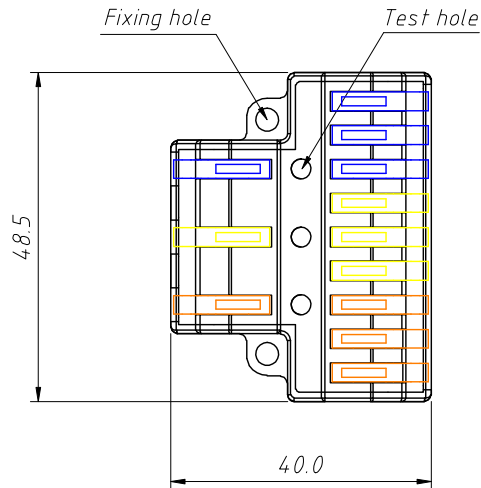
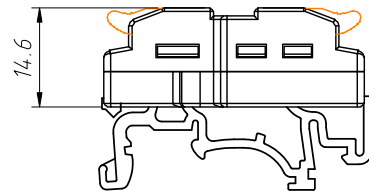
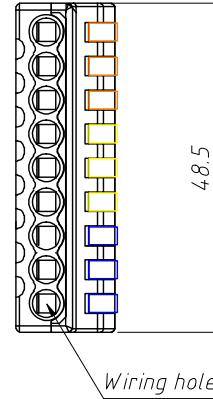
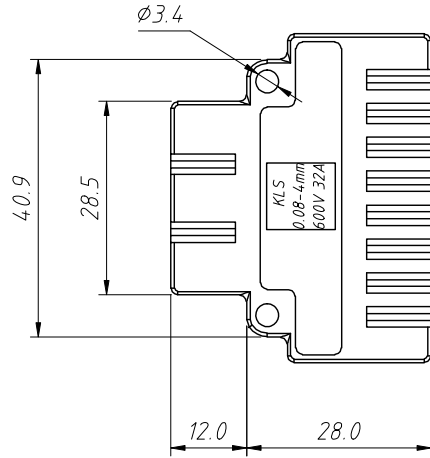
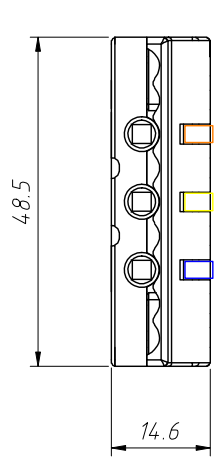


1 RoHS Compliance



*Electrical data*

Rated voltage (II / 2): 250V / 600V

Rated impulse voltage (II / 2): 4 kV

Rated current: 32 A

Legend (ratings): (II / 2)

Overvoltage category: II

Pollution degree: 2

*Connection data*

Connection technology: CAGE CLAMP®

Actuation type: Lever

Connectable conductor materials: Copper

Nominal cross section: 2.5 mm<sup>2</sup>

Solid conductor: 0.08 ~ 2.5 mm<sup>2</sup> / 28 ~ 12 AWG

Stranded conductor: 0.08 ~ 2.5 mm<sup>2</sup> / 28 ~ 12 AWG

Fine-stranded conductor: 0.08 ~ 4.0 mm<sup>2</sup> / 28 ~ 12 AWG

Strip length: 9 ~ 10 mm / 0.35 ~ 0.39 Inch

Type of wiring: Side-entry wiring

*Material Data*

Color: Gray color

Flammability class per UL94: V2

*Order Information:*

L-KLS2-439D-00

L: RoHS

Terminal Blocks

Shell Color:

Gray color

ANGLE TOLERANCE	PROJECTION	Description:	Din Rail Wire Splice Connectors, For 4mm <sup>2</sup> , 28 ~ 12AWG	
±3°				
GENERAL TOLERANCE	UNITS	mm	KLS P/N:	L-KLS2-439D-00
x.x ±0.30	SHEET SIZE	A4		
x.xx ±0.20	Draw:	Daniel	2021-11-05	NingBo KLS ELECTRONIC CO.,L TD.
x.xxx ±0.10	Check:	Daniel	2021-11-05	