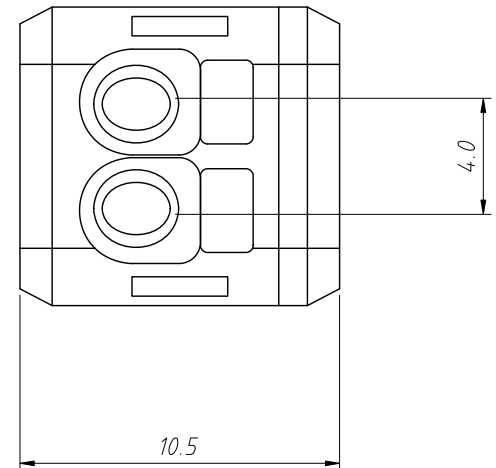
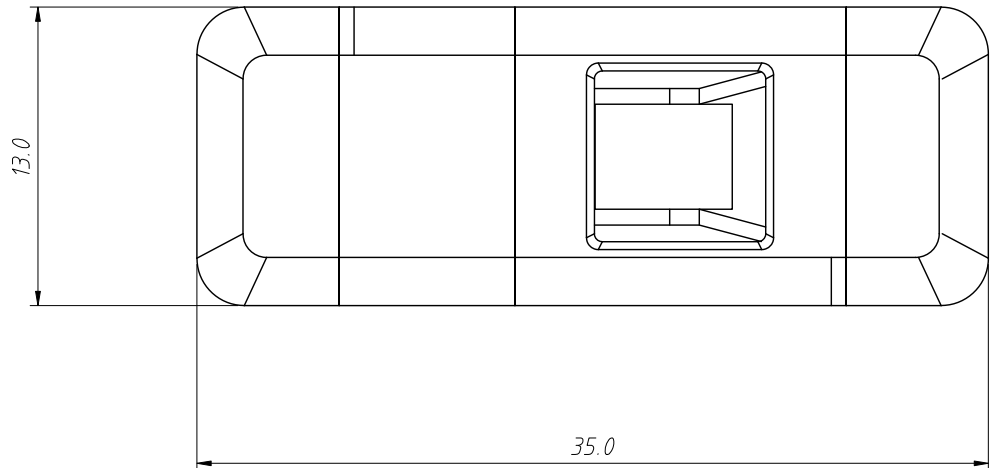


1
RoHS Compliance



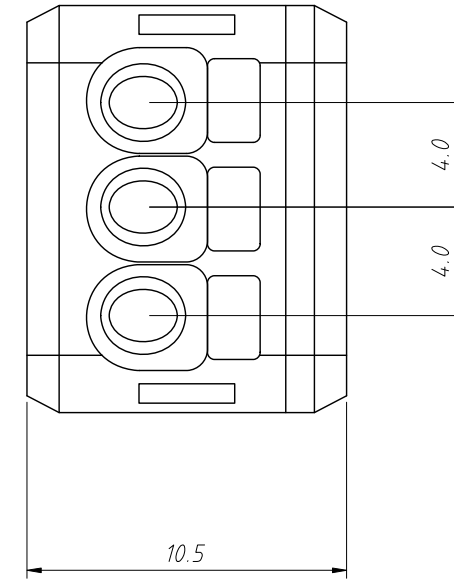
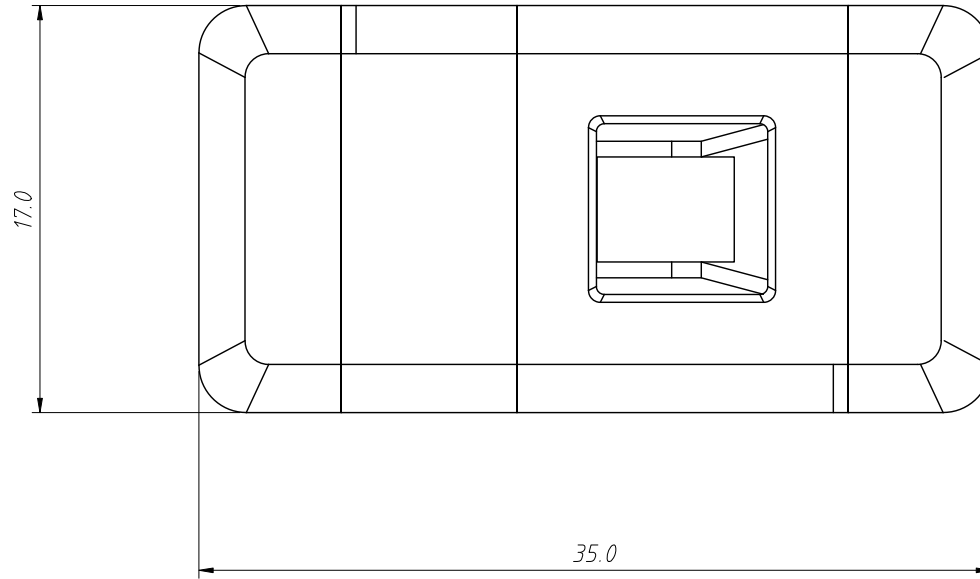
Wire Splice Connectors
 Applicable wires : 28-12AWG
 Temperature range : -25 ~ 95
 Voltage rating : 450V
 Current rating : 24A
 Contact resistance: $\leq 0.015\Omega$
 Insulation resistance : $\geq 1000M\Omega$

Material :
 Housing : PA66/PCUL94V-2(0)
 Contact : Copper, Tin plated
 Spring: SUS 301

Order Information:
 L-KLS2-L03-02P
 L: RoHS
 Terminal Blocks
 XX-No. of 02 pins

ANGLE TOLERANCE	PROJECTION	Description:	Wire Splice Connectors, for 2.5mm ² , 02 Pins, Transparent shell.
$\pm 3^\circ$			
GENERAL TOLERANCE	UNITS	mm	KLS P/N: L-KLS2-L03-02P
x.x ± 0.30	SHEET SIZE	A4	NingBo KLS ELECTRONIC CO.,L TD.
x.xx ± 0.20	Draw:	Daniel 2021-11-05	
x.xxx ± 0.10	Check:	Daniel 2021-11-05	

1
RoHS Compliance



Wire Splice Connectors
 Applicable wires : 28-12AWG
 Temperature range : -25 ~ 95
 Voltage rating : 450V
 Current rating : 24A
 Contact resistance: $\leq 0.015\Omega$
 Insulation resistance : $\geq 1000M\Omega$

Material :
 Housing : PA66/PCUL94V-2(0)
 Contact : Copper, Tin plated
 Spring: SUS 301

Order Information:

L-KLS2-L03-03P

L: RoHS

Terminal Blocks

XX-No. of 03 pins

ANGLE TOLERANCE	PROJECTION	Description:	Wire Splice Connectors, for 2.5mm ² , 03 Pins, Transparent shell.
$\pm 3^\circ$			
GENERAL TOLERANCE	UNITS	mm	KLS P/N: L-KLS2-L03-03P
x.x ± 0.30	SHEET SIZE	A4	NingBo KLS ELECTRONIC CO.,L TD.
x.xx ± 0.20	Draw:	Daniel 2021-11-05	
x.xxx ± 0.10	Check:	Daniel 2021-11-05	