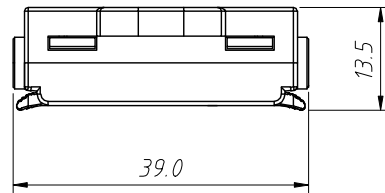
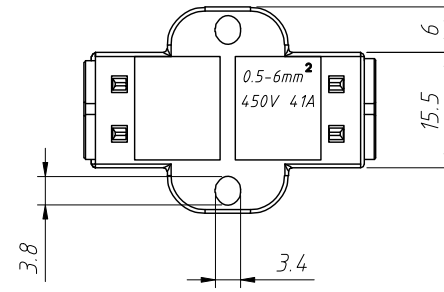
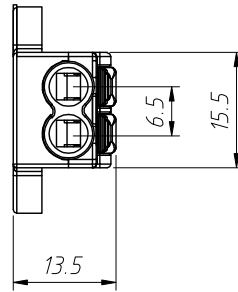
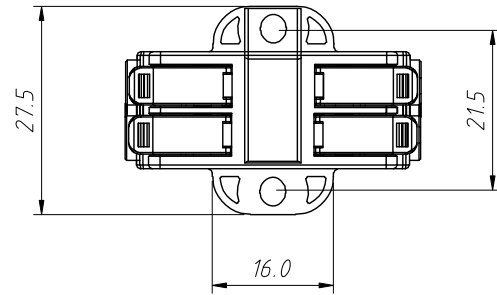
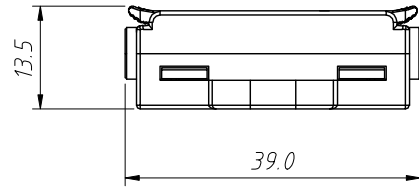


1 RoHS Compliance



Material :
 Housing : PA66/PCUL 94 V-2(0)
 Contact : Copper, Tin plated
 Spring: SUS 301

Wire Splice Connectors

Applicable wires : 20-10AWG, 0.08mm²~6.0 mm²
 Temperature range : -25~95
 Voltage rating : 450V/600V
 Current rating : 41A
 Contact resistance: ≤0.015Ω
 Insulation resistance : ≥1000MΩ

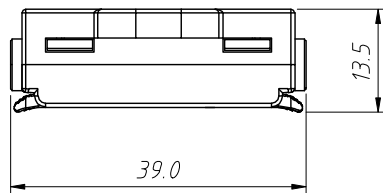
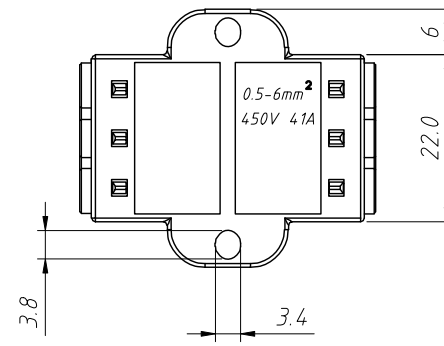
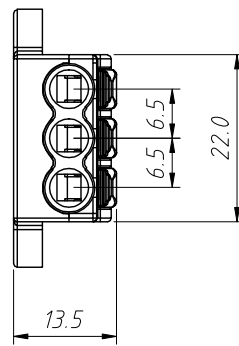
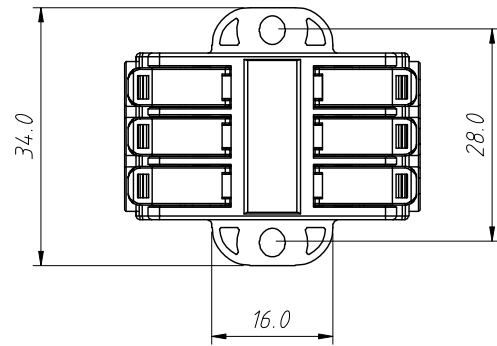
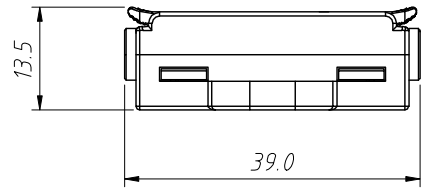
Order Information:

L-KLS2-226-02P

L: RoHS
 Terminal Blocks
 XX-No. of 02 pins

ANGLE TOLERANCE	PROJECTION	Description:	Wire Splice Connectors, 20~10AWG, 02 03 04 05 06 08 10 12 Pins
±3°			
GENERAL TOLERANCE	UNITS	mm	KLS P/N: L-KLS2-226-02P
x.x ±0.30	SHEET SIZE	A4	NingBo KLS ELECTRONIC CO.,L.TD.
x.xx ±0.20	Draw:	Daniel 2021-11-05	
x.xxx ±0.10	Check:	Daniel 2021-11-05	

RoHS Compliance



Material:
 Housing:PA66/PCUL 94 V-2(0)
 Contact:Copper, Tin plated
 Spring:SUS 301

Wire Splice Connectors
 Applicable wires:20-10AWG,0.08mm²~6.0 mm²
 Temperature range:-25~95
 Voltage rating:450V/600V
 Current rating:41A
 Contact resistance:≤0.015Ω
 Insulation resistance:≥1000MΩ

Order Information:

L-KLS2-226-03P

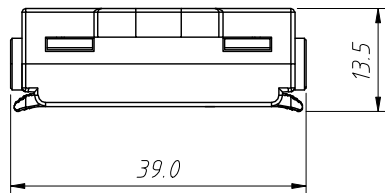
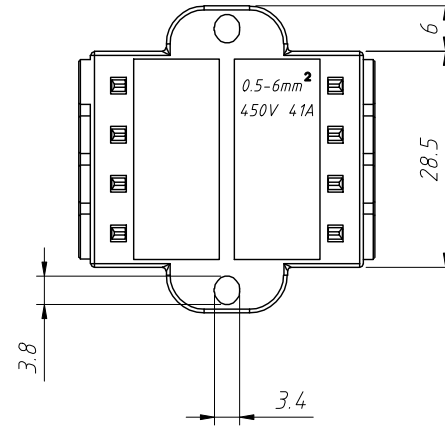
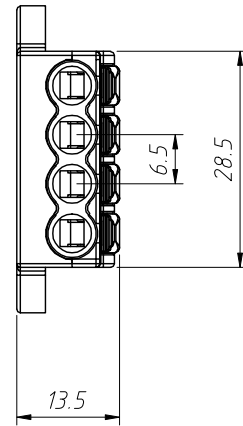
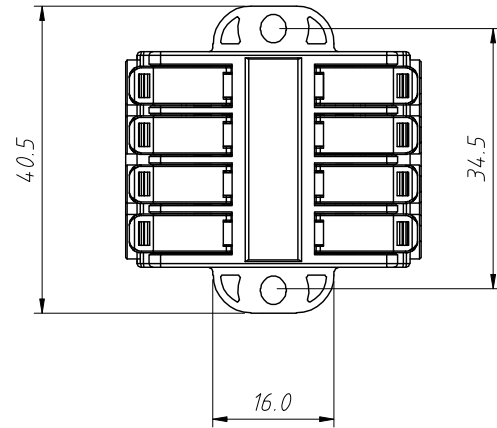
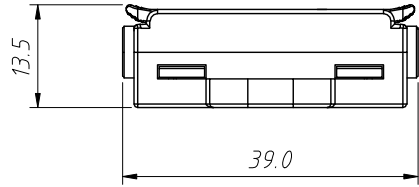
L: RoHS

Terminal Blocks

XX-No.of 03 pins

ANGLE TOLERANCE	PROJECTION	Description:	Wire Splice Connectors,20~10AWG, 02 03 04 05 06 08 10 12 Pins
±3°			
GENERAL TOLERANCE	UNITS	mm	KLS P/N: L-KLS2-226-03P
x.x ±0.30	SHEET SIZE	A4	NingBo KLS ELECTRONIC CO.,L.TD.
x.xx ±0.20	Draw:	Daniel 2021-11-05	
x.xxx ±0.10	Check:	Daniel 2021-11-05	

RoHS Compliance



Material:
Housing: PA66/PCUL 94 V-2(0)
Contact: Copper, Tin plated
Spring: SUS 301

Wire Splice Connectors
Applicable wires: 20~10AWG, 0.08mm²~6.0 mm²
Temperature range: -25~95
Voltage rating: 450V/600V
Current rating: 41A
Contact resistance: ≤0.015Ω
Insulation resistance: ≥1000MΩ

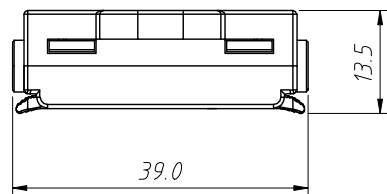
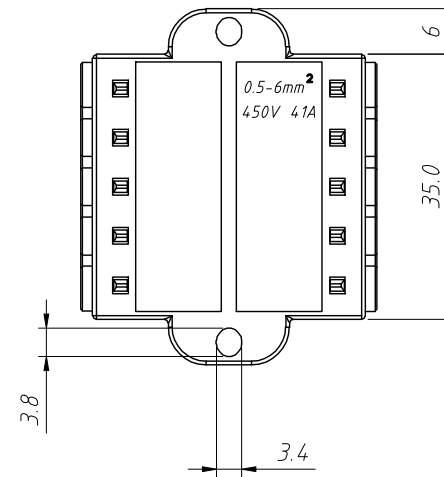
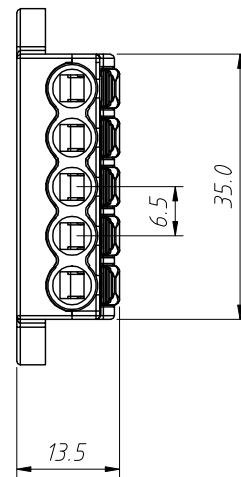
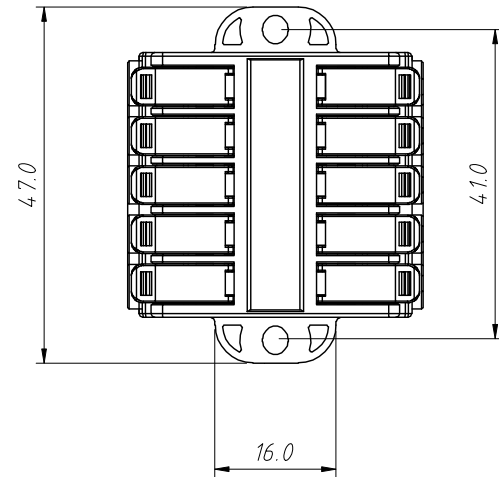
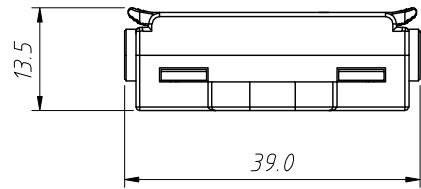
Order Information:

L-KLS2-226-04P

L: RoHS
Terminal Blocks
XX-No. of 04 pins

ANGLE TOLERANCE	PROJECTION	Description:	Wire Splice Connectors, 20~10AWG, 02 03 04 05 06 08 10 12 Pins
±3°			
GENERAL TOLERANCE	UNITS	mm	KLS P/N: L-KLS2-226-04P
x.x ±0.30	SHEET SIZE	A4	NingBo KLS ELECTRONIC CO.,L.TD.
x.xx ±0.20	Draw:	Daniel 2021-11-05	
x.xxx ±0.10	Check:	Daniel 2021-11-05	

RoHS Compliance



Material:
Housing: PA66/PCUL 94 V-2(0)
Contact: Copper, Tin plated
Spring: SUS 301

Wire Splice Connectors
Applicable wires: 20~10AWG, 0.08mm²~6.0 mm²
Temperature range: -25~95
Voltage rating: 450V/600V
Current rating: 41A
Contact resistance: ≤0.015Ω
Insulation resistance: ≥1000MΩ

Order Information:

L-KLS2-226-05P

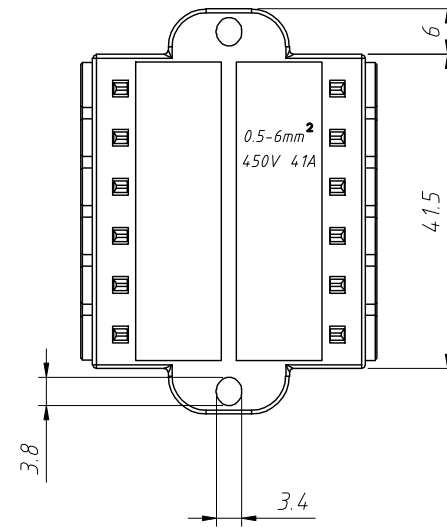
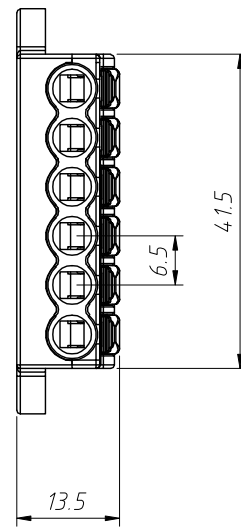
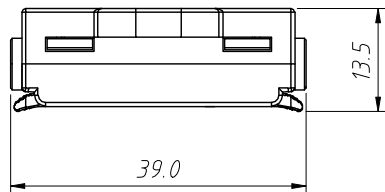
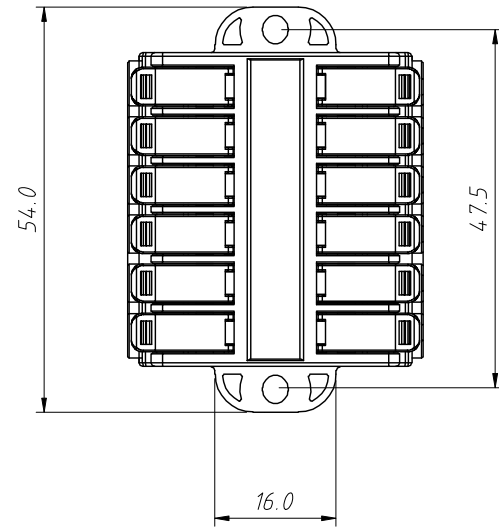
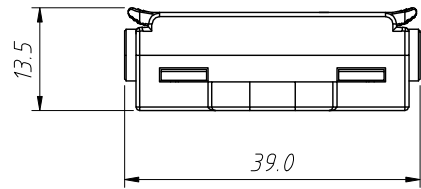
L: RoHS

Terminal Blocks

XX-No. of 05 pins

ANGLE TOLERANCE	PROJECTION	Description:	Wire Splice Connectors, 20~10AWG, 02 03 04 05 06 08 10 12 Pins
±3°			
GENERAL TOLERANCE	UNITS	mm	KLS P/N: L-KLS2-226-05P
x.x ±0.30	SHEET SIZE	A4	NingBo KLS ELECTRONIC CO.,L TD.
x.xx ±0.20	Draw:	Daniel 2021-11-05	
x.xxx ±0.10	Check:	Daniel 2021-11-05	

RoHS Compliance



Material:
 Housing: PA66/PCUL 94 V-2(0)
 Contact: Copper, Tin plated
 Spring: SUS 301

Wire Splice Connectors
 Applicable wires: 20~10AWG, 0.08mm²~6.0 mm²
 Temperature range: -25~95
 Voltage rating: 450V/600V
 Current rating: 41A
 Contact resistance: ≤0.015Ω
 Insulation resistance: ≥1000MΩ

Order Information:

L-KLS2-226-06P

L: RoHS

Terminal Blocks

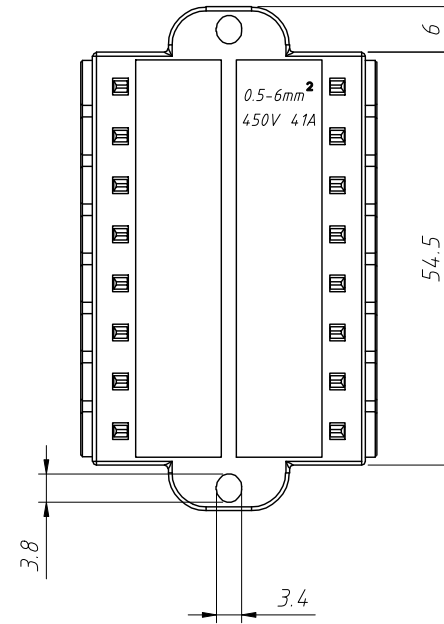
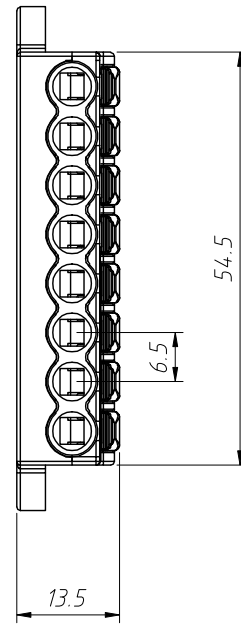
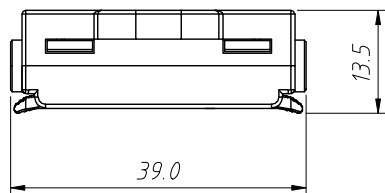
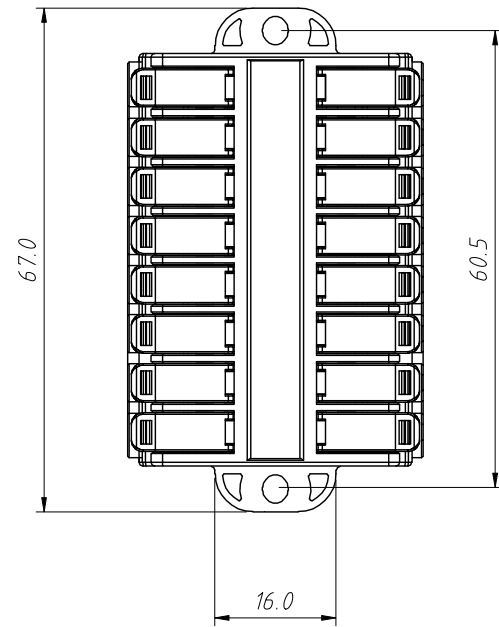
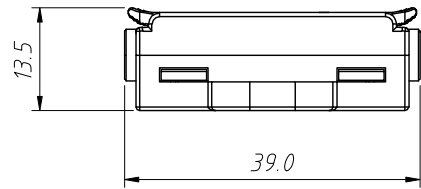
XX-No. of 06 pins

ANGLE TOLERANCE	PROJECTION	Description:	Wire Splice Connectors, 20~10AWG, 02 03 04 05 06 08 10 12 Pins
±3°			
GENERAL TOLERANCE	UNITS	mm	KLS P/N: L-KLS2-226-06P
x.x ±0.30	SHEET SIZE	A4	
x.xx ±0.20	Draw:	Daniel	2021-11-05
x.xxx ±0.10	Check:	Daniel	2021-11-05



NingBo KLS ELECTRONIC CO., L.TD.

RoHS Compliance



Material:
 Housing: PA66/PCUL 94 V-2(0)
 Contact: Copper, Tin plated
 Spring: SUS 301

Wire Splice Connectors
 Applicable wires: 20~10AWG, 0.08mm²~6.0 mm²
 Temperature range: -25~95
 Voltage rating: 450V/600V
 Current rating: 41A
 Contact resistance: ≤0.015Ω
 Insulation resistance: ≥1000MΩ

Order Information:

L-KLS2-226-08P

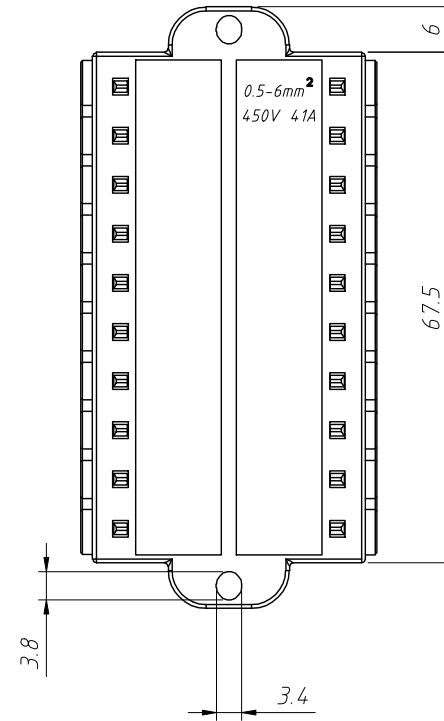
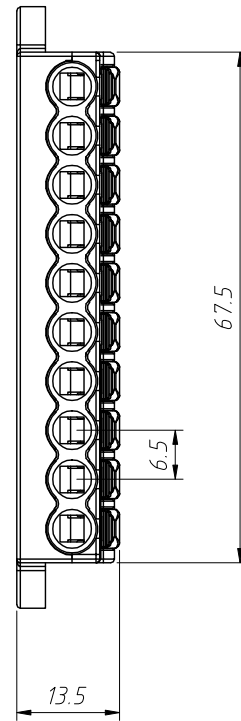
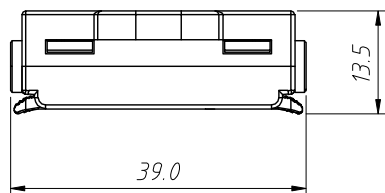
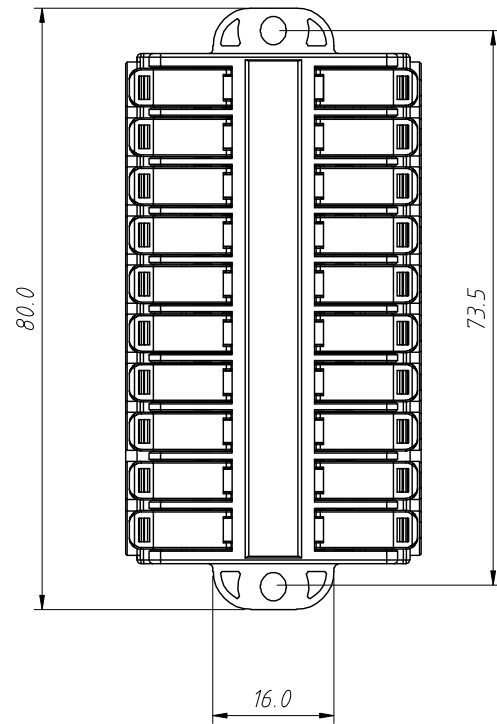
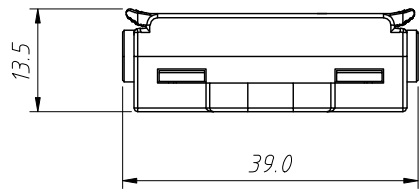
L: RoHS

Terminal Blocks

XX-No. of 08 pins

ANGLE TOLERANCE	PROJECTION	Description:	Wire Splice Connectors, 20~10AWG, 02 03 04 05 06 08 10 12 Pins
±3°			
GENERAL TOLERANCE	UNITS	mm	KLS P/N: L-KLS2-226-08P
x.x ±0.30	SHEET SIZE	A4	NingBo KLS ELECTRONIC CO.,L.TD.
x.xx ±0.20	Draw:	Daniel 2021-11-05	
x.xxx ±0.10	Check:	Daniel 2021-11-05	

RoHS Compliance



Material:
 Housing:PA66/PCUL 94 V-2(0)
 Contact:Copper, Tin plated
 Spring:SUS 301

Wire Splice Connectors
 Applicable wires:20-10AWG,0.08mm²~6.0 mm²
 Temperature range:-25~95
 Voltage rating:450V/600V
 Current rating:4.1A
 Contact resistance:≤0.015Ω
 Insulation resistance:≥1000MΩ

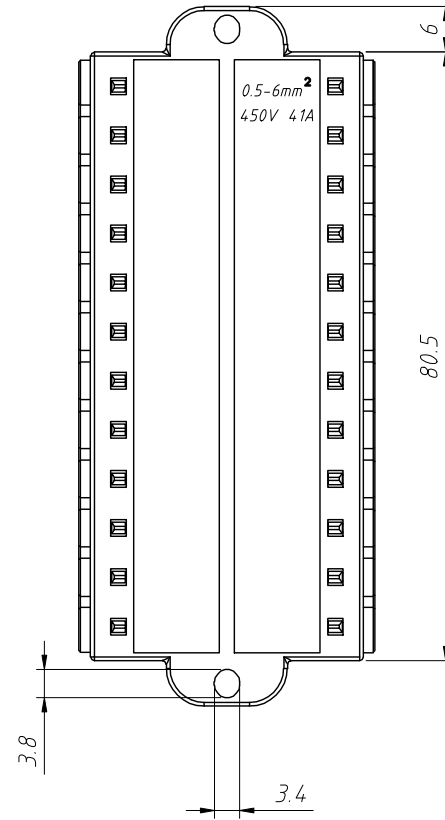
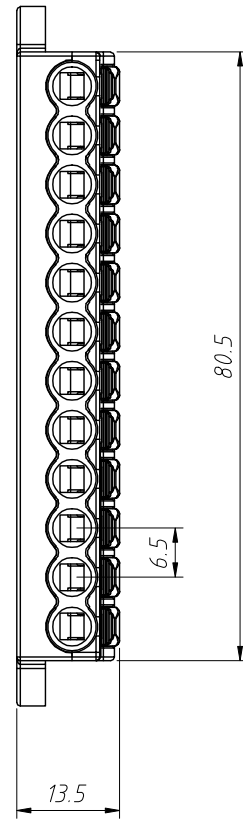
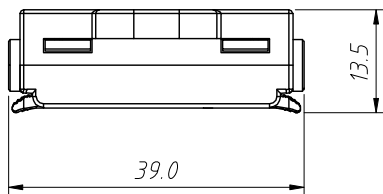
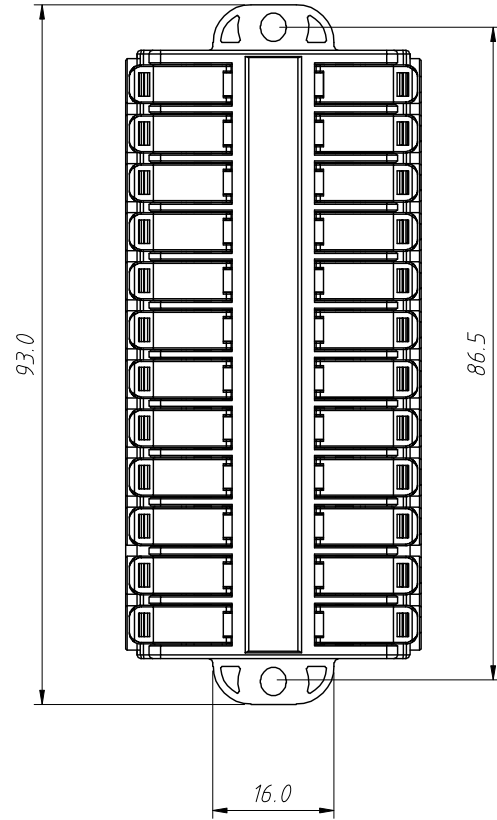
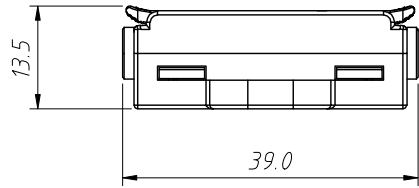
Order Information:

L-KLS2-226-10P

L: RoHS
 Terminal Blocks
 XX-No. of 10 pins

ANGLE TOLERANCE	PROJECTION	Description:	Wire Splice Connectors,20~10AWG, 02 03 04 05 06 08 10 12 Pins	
±3°				
GENERAL TOLERANCE	UNITS	mm	KLS P/N: L-KLS2-226-10P	
x.x ±0.30	SHEET SIZE	A4	NingBo KLS ELECTRONIC CO.,L TD.	
x.xx ±0.20	Draw:	Daniel		2021-11-05
x.xxx ±0.10	Check:	Daniel		2021-11-05

RoHS Compliance



Material:
 Housing:PA66/PCUL 94 V-2(0)
 Contact:Copper, Tin plated
 Spring:SUS 301

Wire Splice Connectors
 Applicable wires:20-10AWG,0.08mm²~6.0 mm²
 Temperature range:-25~95
 Voltage rating:450V/600V
 Current rating:41A
 Contact resistance:≤0.015Ω
 Insulation resistance:≥1000MΩ

Order Information:

L-KLS2-226-12P

L: RoHS
 Terminal Blocks
 XX-No. of 12 pins

ANGLE TOLERANCE	PROJECTION	Description:	Wire Splice Connectors,20~10AWG, 02 03 04 05 06 08 10 12 Pins	
±3°				
GENERAL TOLERANCE	UNITS	mm	KLS P/N: L-KLS2-226-12P	
x.x ±0.30	SHEET SIZE	A4	NingBo KLS ELECTRONIC CO.,L TD.	
x.xx ±0.20	Draw:	Daniel		2021-11-05
x.xxx ±0.10	Check:	Daniel		2021-11-05