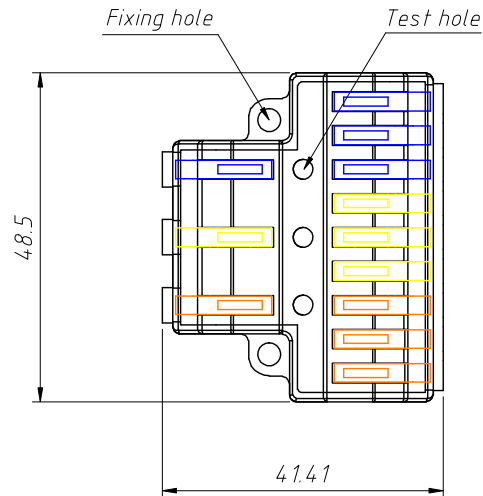
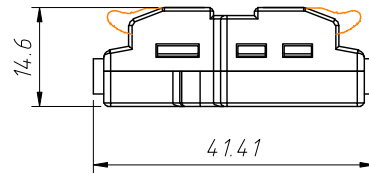
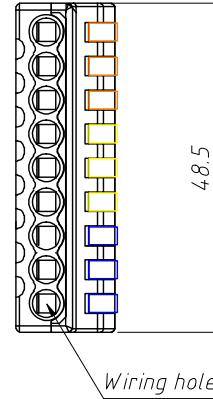
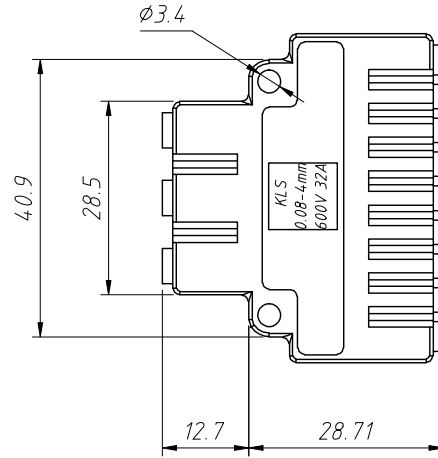
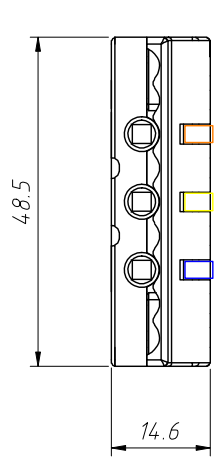


1 RoHS Compliance



Electrical data

Rated voltage (II / 2): 250V / 600V

Rated impulse voltage (II / 2): 4 kV

Rated current: 32 A

Legend (ratings): (II / 2)

Overvoltage category: II

Pollution degree: 2

Connection data

Connection technology: CAGE CLAMP®

Actuation type: Lever

Connectable conductor materials: Copper

Nominal cross section: 2.5 mm²

Solid conductor: 0.08 ~ 2.5 mm² / 28 ~ 12 AWG

Stranded conductor: 0.08 ~ 2.5 mm² / 28 ~ 12 AWG

Fine-stranded conductor: 0.08 ~ 4.0 mm² / 28 ~ 12 AWG

Strip length: 9 ~ 10 mm / 0.35 ~ 0.39 Inch

Type of wiring: Side-entry wiring

Material Data

Color: Gray color

Flammability class per UL94: V2

Order Information:

L-KLS2-439-00

L: RoHS

Terminal Blocks

Shell Color:

Gray color

ANGLE TOLERANCE	PROJECTION	Description:	Wire Splice Connectors, Gray shell
±3°			28 ~ 12AWG, 03 in 09 out
GENERAL TOLERANCE	UNITS	mm	KLS P/N: L-KLS2-439-00
x.x ±0.30	SHEET SIZE	A4	NingBo KLS ELECTRONIC CO., L TD.
x.xx ±0.20	Draw:	Daniel 2021-11-05	
x.xxx ±0.10	Check:	Daniel 2021-11-05	