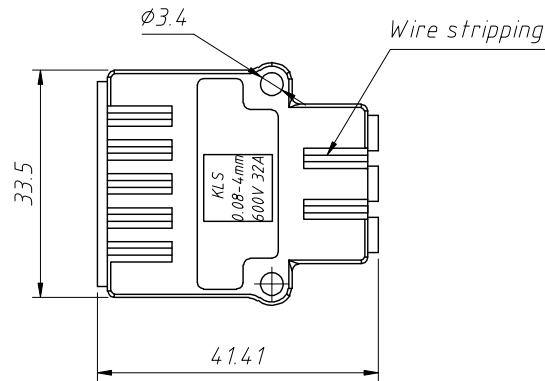
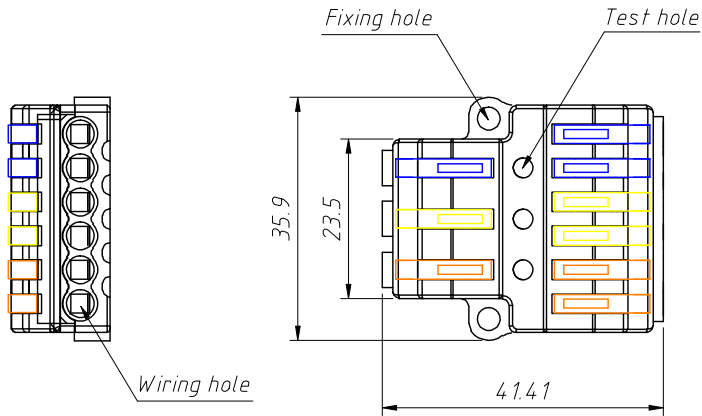
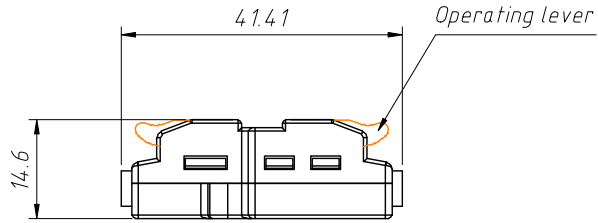


1 RoHS Compliance



Electrical data

Rated voltage (II / 2):250V / 600V

Rated impulse voltage (II / 2):4 kV

Rated current:32 A

Legend (ratings):(II / 2)

Overtoltage category:II

Pollution degree:2

Connection data

Connection technology:CAGE CLAMP®

Actuation type:Lever

Connectable conductor materials:Copper

Nominal cross section:2.5 mm²

Solid conductor:0.08 ~ 2.5 mm² / 28 ~ 12 AWG

Stranded conductor:0.08 ~ 2.5 mm² / 28 ~ 12 AWG

Fine-stranded conductor:0.08 ~ 4.0 mm² / 28 ~ 12 AWG

Strip length:9 ~ 10 mm / 0.35 ~ 0.39 Inch

Type of wiring:Side-entry wiring

Material Data

Color:Gray color

Flammability class per UL94:V2

Order Information:

L-KLS2-436-00

L: RoHS

Terminal Blocks

Shell Color:

Gray color

ANGLE TOLERANCE	PROJECTION	Description:	Wire Splice Connectors, Gray shell
±3°			28 ~ 12AWG, 03 in 06 out
GENERAL TOLERANCE	UNITS	mm	KLS P/N: L-KLS2-436-00
x.x ±0.30	SHEET SIZE	A4	NingBo KLS ELECTRONIC CO.,L TD.
x.xx ±0.20	Draw:	Daniel	
x.xxx ±0.10	Check:	Daniel	