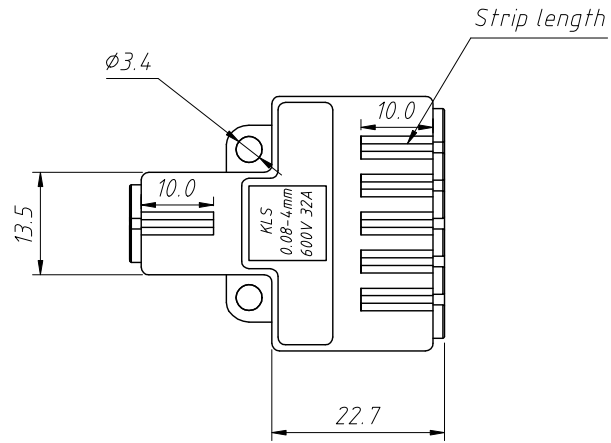


1 RoHS Compliance

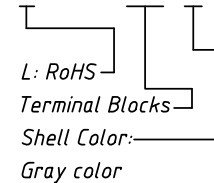


Electrical data
 Rated voltage (I / 2): 250V / 600V
 Rated impulse voltage (I / 2): 4 kV
 Rated current: 32 A
 Legend (ratings): (I / 2)
 Overvoltage category: II
 Pollution degree: 2
Connection data
 Connection technology: CAGE CLAMP®
 Actuation type: Lever
 Connectable conductor materials: Copper
 Nominal cross section: 2.5 mm²
 Solid conductor: 0.08 ~ 2.5 mm² / 28 ~ 12 AWG
 Stranded conductor: 0.08 ~ 2.5 mm² / 28 ~ 12 AWG
 Fine-stranded conductor: 0.08 ~ 4.0 mm² / 28 ~ 12 AWG
 Strip length: 9 ~ 10 mm / 0.35 ~ 0.39 Inch
 Type of wiring: Side-entry wiring

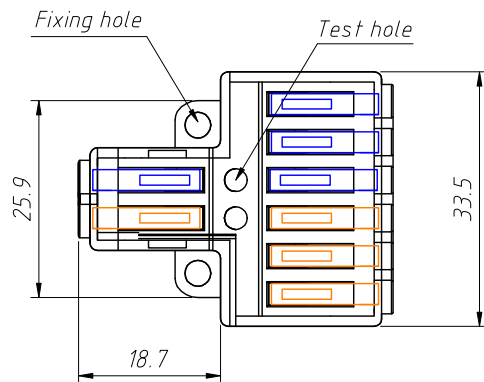
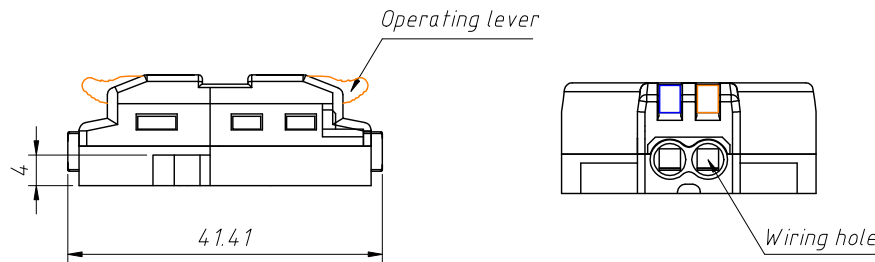
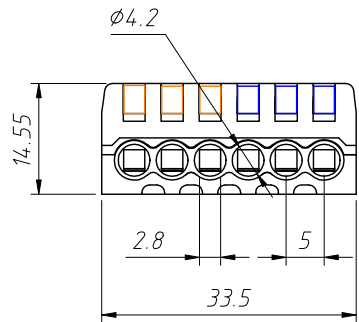
Material Data
 Color: Gray color
 Flammability class per UL94: V2

Order Information:

L-KLS2-426-00



L: RoHS
 Terminal Blocks
 Shell Color:
 Gray color



ANGLE TOLERANCE	PROJECTION	Description:	Wire Splice Connectors
±3°			28 ~ 12AWG, 02 in 06 out
GENERAL TOLERANCE	UNITS	mm	KLS P/N: L-KLS2-426-00
x.x ±0.30	SHEET SIZE	A4	NingBo KLS ELECTRONIC CO.,L.TD.
x.xx ±0.20	Draw:	Daniel 2021-11-05	
x.xxx ±0.10	Check:	Daniel 2021-11-05	