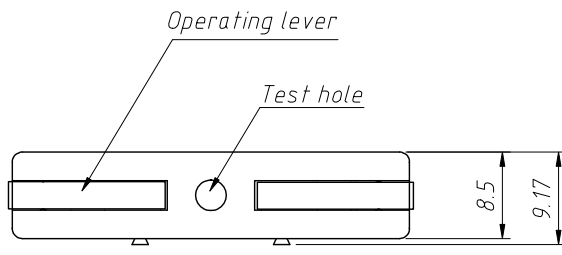
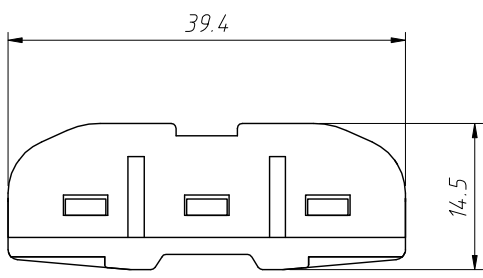
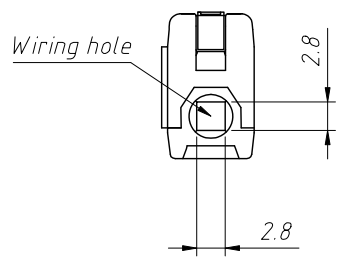
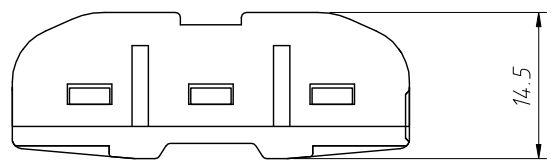
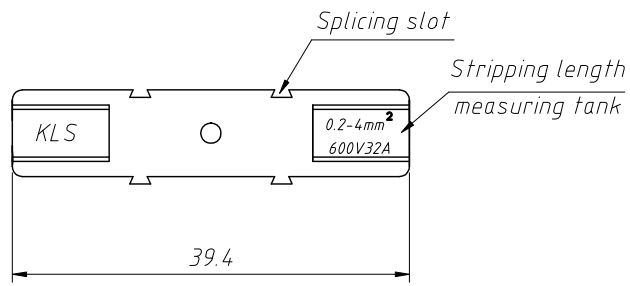


1
RoHS Compliance



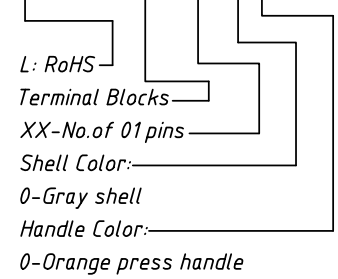
Electrical data:
 Rated voltage (I / 2): 250V / 600V
 Rated impulse voltage (I / 2): 4 kV
 Rated current : 32 A
 Legend (ratings): (I / 2)
 Overvoltage category: II
 Pollution degree: 2

Connection data:
 Connection technology: CAGE CLAMP®
 Actuation type: Lever
 Connectable conductor materials: Copper
 Nominal cross section: 2.5 mm²
 Solid conductor: 0.08 ~ 2.5 mm² / 28 ~ 12 AWG
 Stranded conductor: 0.08 ~ 2.5 mm² / 28 ~ 12 AWG
 Fine-stranded conductor: 0.08 ~ 4.0 mm² / 28 ~ 12 AWG
 Strip length: 9 ~ 10 mm / 0.35 ~ 0.39 Inch
 Type of wiring: Side-entry wiring

Material Data:
 Color: Gray
 Flammability class per UL 94 V2

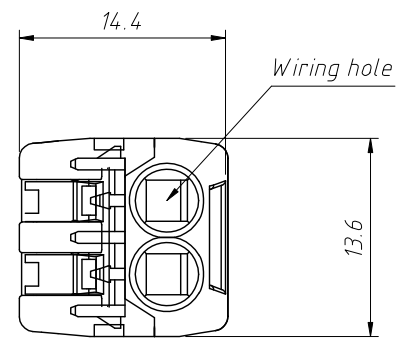
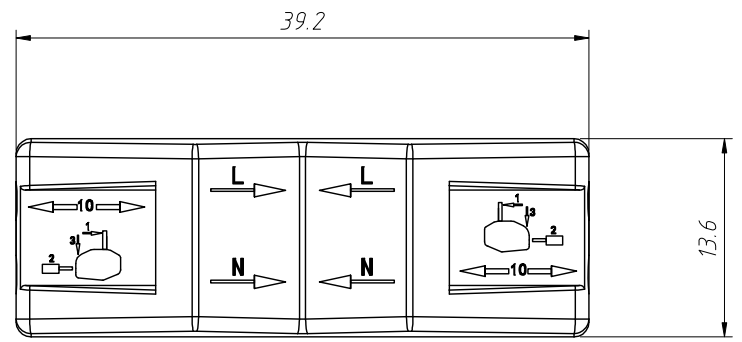
Order Information:

L-KLS2-282-01P-0 0



ANGLE TOLERANCE	PROJECTION	Description:	Wire Splice Connectors, 28 ~ 12AWG
±3°			01 02 03 Pins
GENERAL TOLERANCE	UNITS	mm	KLS P/N: L-KLS2-282-01P-00
x.x ±0.30	SHEET SIZE	A4	NingBo KLS ELECTRONIC CO., L TD.
x.xx ±0.20	Draw:	Daniel 2021-11-05	
x.xxx ±0.10	Check:	Daniel 2021-11-05	

1
RoHS Compliance



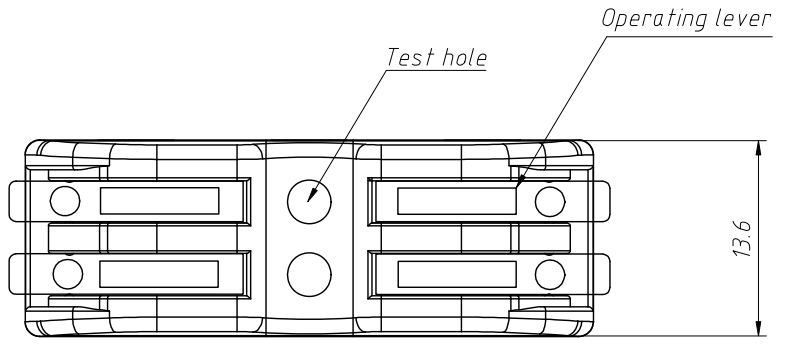
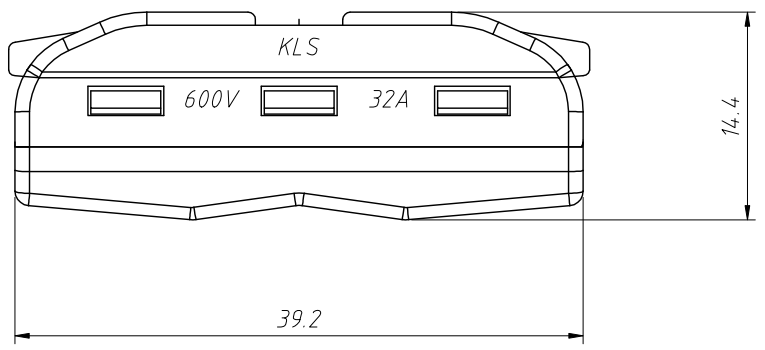
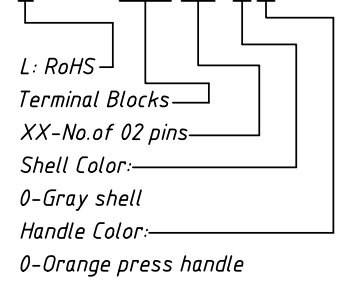
Electrical data:
 Rated voltage (II / 2): 250V / 600V
 Rated impulse voltage (II / 2): 4 kV
 Rated current : 32 A
 Legend (ratings): (II / 2)
 Overvoltage category: II
 Pollution degree: 2

Connection data:
 Connection technology: CAGE CLAMP®
 Actuation type: Lever
 Connectable conductor materials: Copper
 Nominal cross section: 2.5 mm²
 Solid conductor: 0.08 ~ 2.5 mm² / 28 ~ 12 AWG
 Stranded conductor: 0.08 ~ 2.5 mm² / 28 ~ 12 AWG
 Fine-stranded conductor: 0.08 ~ 4.0 mm² / 28 ~ 12 AWG
 Strip length: 9 ~ 10 mm / 0.35 ~ 0.39 Inch
 Type of wiring: Side-entry wiring

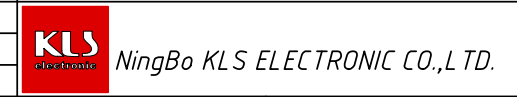
Material Data:
 Color: Gray
 Flammability class per UL 94 V2

Order Information:

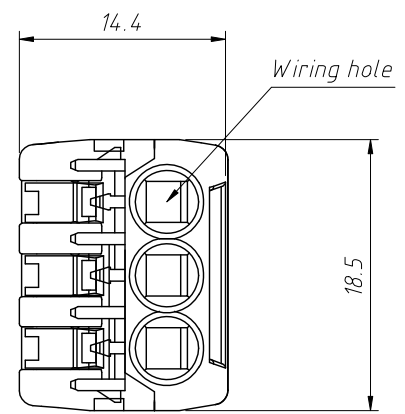
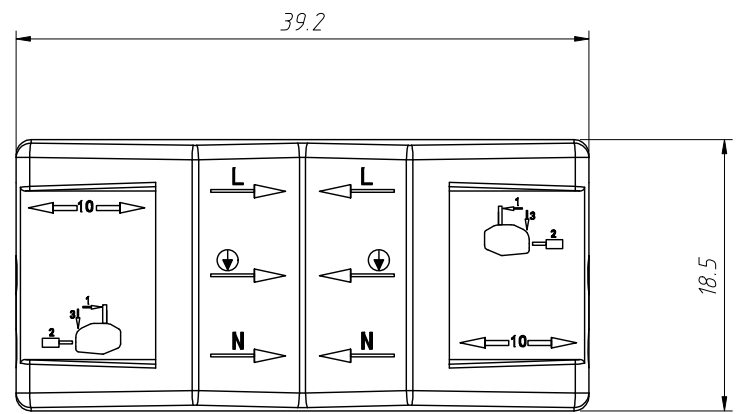
L-KLS2-282-02P-0 0



ANGLE TOLERANCE	PROJECTION	Description:	Wire Splice Connectors, 28 ~ 12AWG
±3°			01 02 03 Pins
GENERAL TOLERANCE	UNITS	mm	KLS P/N:
x.x ±0.30	SHEET SIZE	A4	L-KLS2-282-02P-00
x.xx ±0.20	Draw:	Daniel	2021-11-05
x.xxx ±0.10	Check:	Daniel	2021-11-05



1
RoHS Compliance

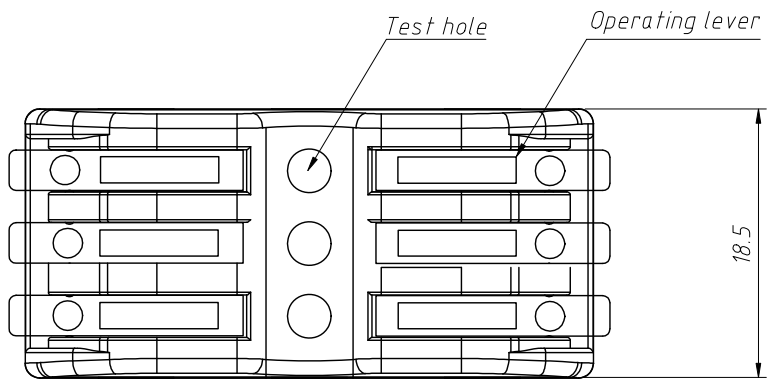
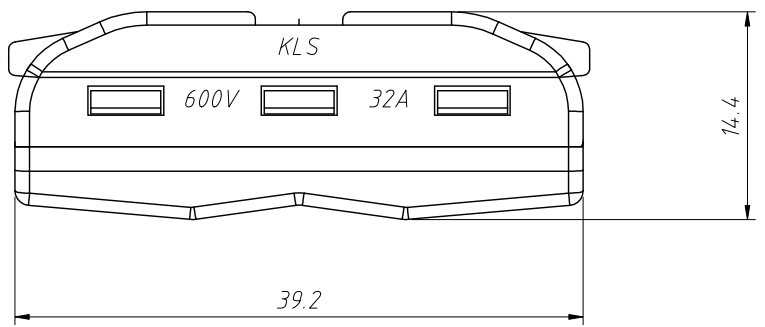
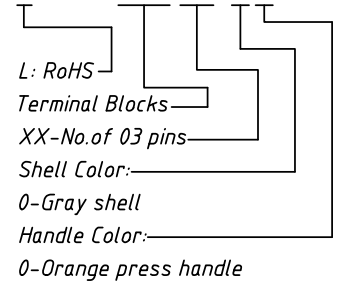


Electrical data:
 Rated voltage (II / 2): 250V / 600V
 Rated impulse voltage (II / 2) : 4 kV
 Rated current : 32 A
 Legend (ratings): (II / 2)
 Overvoltage category: II
 Pollution degree: 2

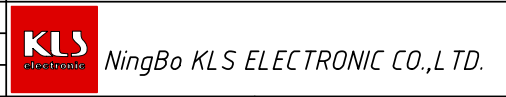
Connection data:
 Connection technology: CAGE CLAMP®
 Actuation type: Lever
 Connectable conductor materials: Copper
 Nominal cross section: 2.5 mm²
 Solid conductor: 0.08 ~ 2.5 mm² / 28 ~ 12 AWG
 Stranded conductor: 0.08 ~ 2.5 mm² / 28 ~ 12 AWG
 Fine-stranded conductor: 0.08 ~ 4.0 mm² / 28 ~ 12 AWG
 Strip length: 9 ~ 10 mm / 0.35 ~ 0.39 Inch
 Type of wiring: Side-entry wiring

Material Data:
 Color: Gray
 Flammability class per UL 94 V2

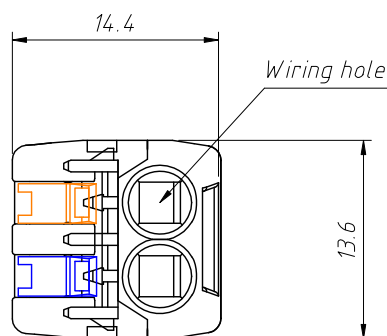
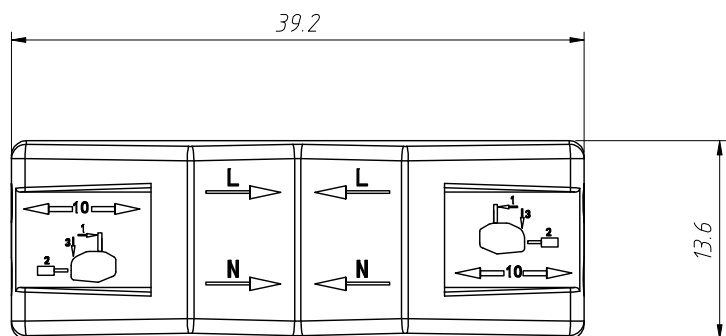
Order Information:
 L-KLS2-282-03P-0 0



ANGLE TOLERANCE	PROJECTION	Description:	Wire Splice Connectors, 28 ~ 12AWG
±3°			01 02 03 Pins
GENERAL TOLERANCE	UNITS	mm	KLS P/N:
x.x ±0.30	SHEET SIZE	A4	L-KLS2-282-03P-00
x.xx ±0.20	Draw:	Daniel	2021-11-05
x.xxx ±0.10	Check:	Daniel	2021-11-05



RoHS Compliance



Electrical data:
 Rated voltage (II / 2): 250V / 600V
 Rated impulse voltage (II / 2): 4 kV
 Rated current : 32 A
 Legend (ratings): (II / 2)
 Overvoltage category: II
 Pollution degree: 2

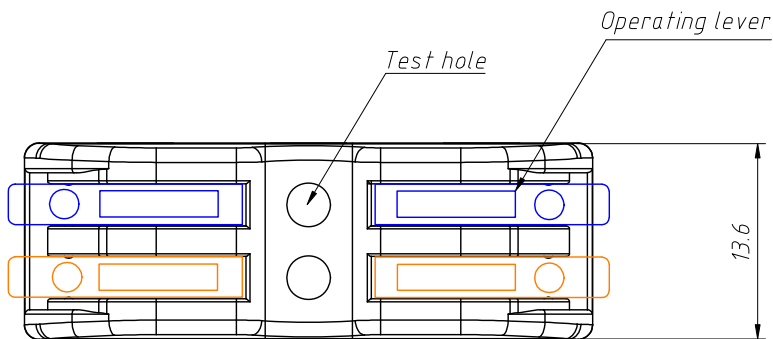
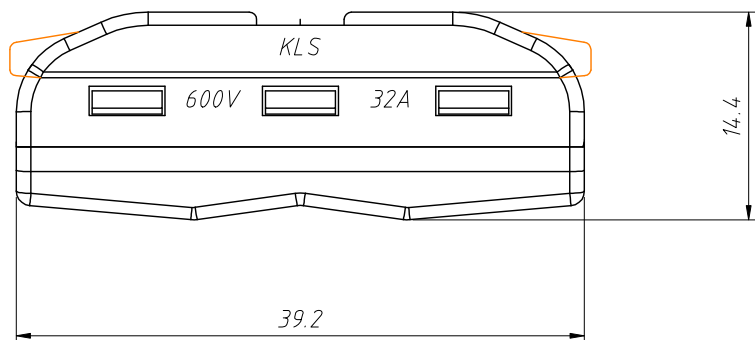
Connection data:
 Connection technology: CAGE CLAMP®
 Actuation type: Lever
 Connectable conductor materials: Copper
 Nominal cross section: 2.5 mm²
 Solid conductor: 0.08 ~ 2.5 mm² / 28 ~ 12 AWG
 Stranded conductor: 0.08 ~ 2.5 mm² / 28 ~ 12 AWG
 Fine-stranded conductor: 0.08 ~ 4.0 mm² / 28 ~ 12 AWG
 Strip length: 9 ~ 10 mm / 0.35 ~ 0.39 Inch
 Type of wiring: Side-entry wiring

Material Data:
 Color: Gray
 Flammability class per UL 94 V2

Order Information:

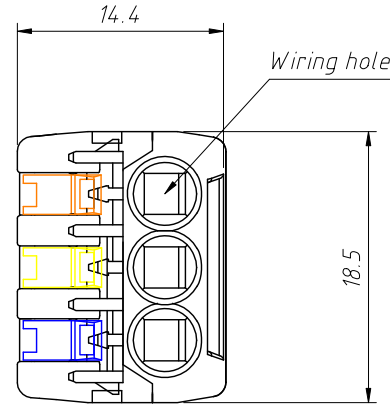
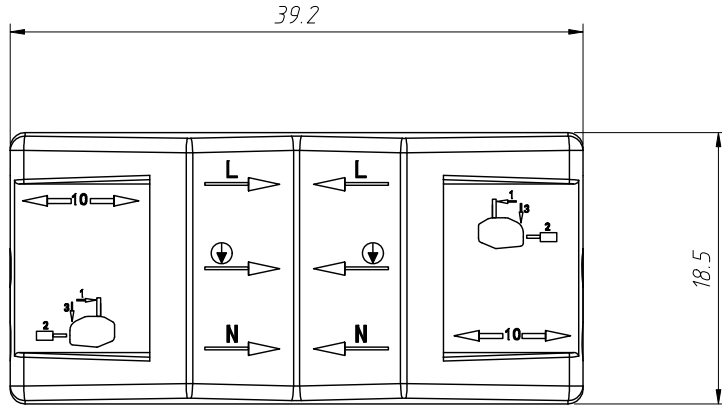
L-KLS2-282-02P-0 1

L: RoHS
 Terminal Blocks
 XX-No. of 02 pins
 Shell Color:
 0-Gray shell
 Handle Color:
 1-Color press handle



ANGLE TOLERANCE	PROJECTION	Description:	Wire Splice Connectors, 28 ~ 12AWG
±3°			02 03 Pins
GENERAL TOLERANCE	UNITS	mm	KLS P/N: L-KLS2-282-02P-01
x.x ±0.30	SHEET SIZE	A4	NingBo KLS ELECTRONIC CO., L TD.
x.xx ±0.20	Draw:	Daniel 2021-11-05	
x.xxx ±0.10	Check:	Daniel 2021-11-05	

RoHS Compliance



Electrical data:
 Rated voltage (II / 2): 250V / 600V
 Rated impulse voltage (II / 2): 4 kV
 Rated current : 32 A
 Legend (ratings): (II / 2)
 Overvoltage category: II
 Pollution degree: 2

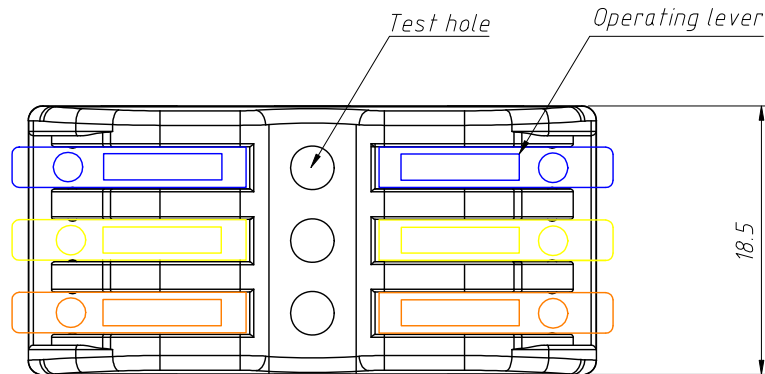
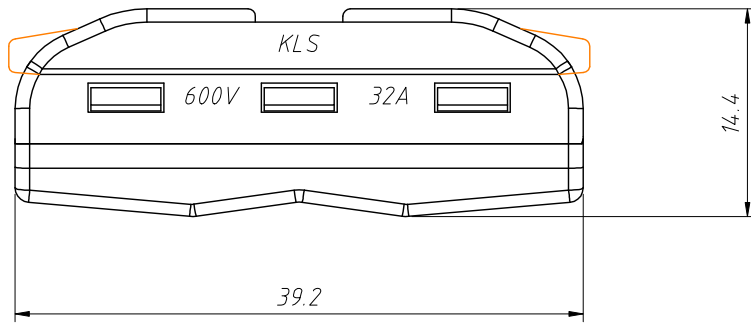
Connection data:
 Connection technology: CAGE CLAMP®
 Actuation type: Lever
 Connectable conductor materials: Copper
 Nominal cross section: 2.5 mm²
 Solid conductor: 0.08 ~ 2.5 mm² / 28 ~ 12 AWG
 Stranded conductor: 0.08 ~ 2.5 mm² / 28 ~ 12 AWG
 Fine-stranded conductor: 0.08 ~ 4.0 mm² / 28 ~ 12 AWG
 Strip length: 9 ~ 10 mm / 0.35 ~ 0.39 Inch
 Type of wiring: Side-entry wiring

Material Data:
 Color: Gray
 Flammability class per UL 94 V2

Order Information:

L-KLS2-282-03P-0 1

L: RoHS
 Terminal Blocks
 XX-No. of 03 pins
 Shell Color:
 0-Gray shell
 Handle Color:
 1-Color press handle



ANGLE TOLERANCE	PROJECTION	Description:	Wire Splice Connectors, 28 ~ 12AWG
±3°			02 03 Pins
GENERAL TOLERANCE	UNITS	mm	KLS P/N:
x.x ±0.30	SHEET SIZE	A4	L-KLS2-282-03P-01
x.xx ±0.20	Draw:	Daniel	2021-11-05
x.xxx ±0.10	Check:	Daniel	2021-11-05



NingBo KLS ELECTRONIC CO., L TD.