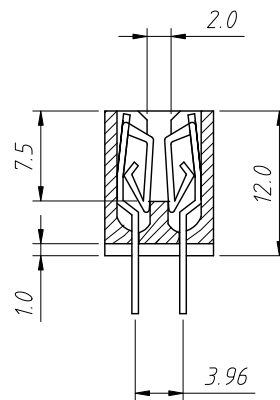
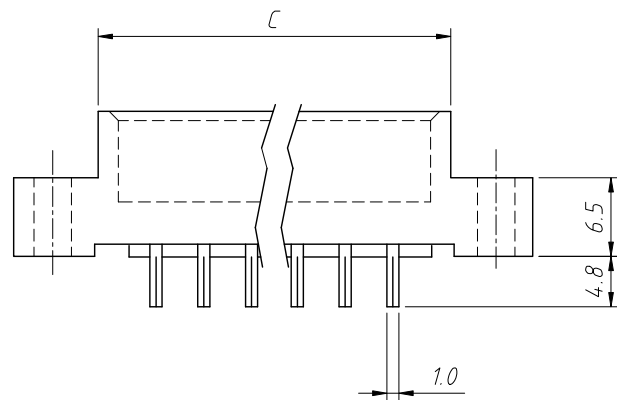
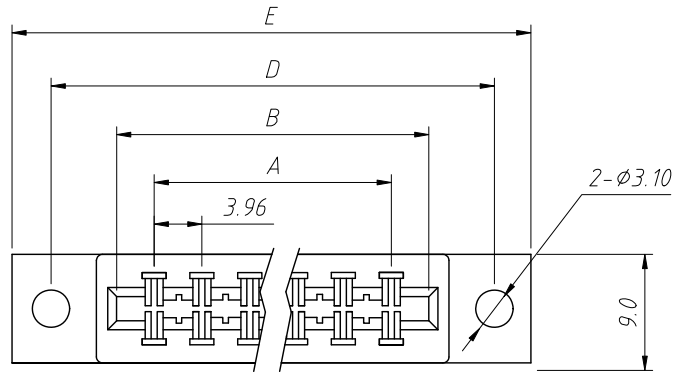


RoHS Compliance



Material:

Housing: Glass filled PBT UL 94V-0

Contacts: Brass or Phosphor Bronze

Plating: Contact gold and Dip Tin over Nickel

Electrical Characteristics:

Current Rating: 2 AMP

Insulator Resistance: 1000M Ohm min. at DC 500V

Contact Resistance: 30m Ohm max. at DC 100mA

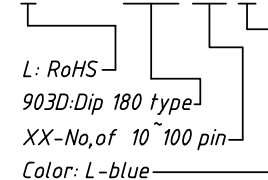
Withstanding Voltage: 1000V AC /rms 50Hz for 1 minute

Operating Temperature: -45°C ~ +105°C

Circuit	A	B	C	D	E
10	15.84	24.06	27.40	34.94	41.24
12	19.80	28.02	31.36	38.90	45.20
16	27.72	35.94	39.28	46.82	53.12
20	35.64	43.86	47.20	54.74	61.04
22	39.60	47.82	51.16	58.70	65.00
21	43.56	51.78	55.12	62.66	68.96
28	51.48	59.70	63.04	70.58	76.88
30	55.44	63.66	67.00	74.54	80.84
32	59.40	67.62	70.96	78.50	84.80
36	67.32	75.54	78.88	86.42	92.72
40	75.24	83.46	86.80	94.34	100.64
44	83.16	91.38	94.72	102.26	108.56
46	87.12	95.34	98.68	106.22	112.52
50	95.04	103.26	106.60	114.14	120.44
56	106.92	115.14	118.48	126.02	132.32
60	114.84	123.06	126.40	133.94	140.24
62	118.80	127.02	130.36	137.90	144.20
64	122.76	130.98	134.32	141.86	148.16
70	134.64	142.86	146.20	153.74	160.04
72	138.60	146.82	150.16	157.70	164.00
86	166.32	174.54	177.88	185.49	191.48

Order Information:

L-KLS1-903D-XX-L



ANGLE TOLERANCE	PROJECTION	Description:	3.96mm Pitch Edge Card Connector PCB Dip 180 Type
±3°			
GENERAL TOLERANCE	UNITS	mm	KLS P/N:
x.x ±0.30	SHEET SIZE	A4	L-KLS1-903D-XX-L
x.xx ±0.20	Draw:	Daniel	2020-11-11
x.xxx ±0.10	Check:	Daniel	2020-11-11



NingBo KLS ELECTRONIC CO.,L TD.