

1
RoHS Compliance

A

B

C

D

E

F

G

H

2

3

4

5

6

7

8

A

B

C

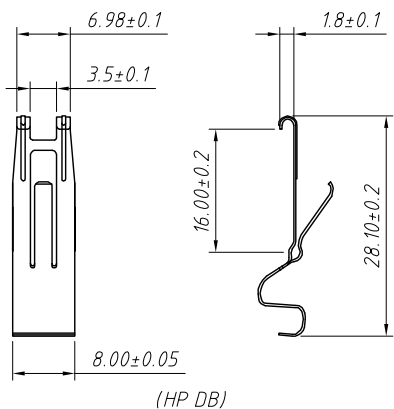
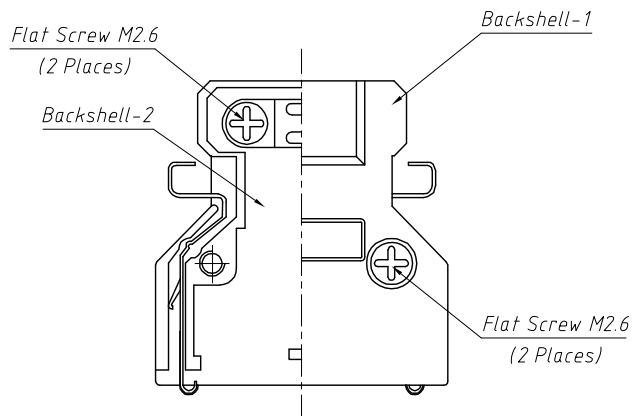
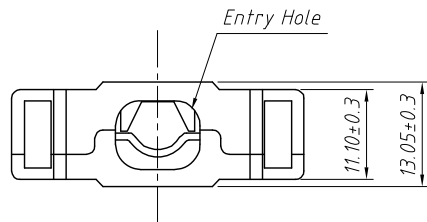
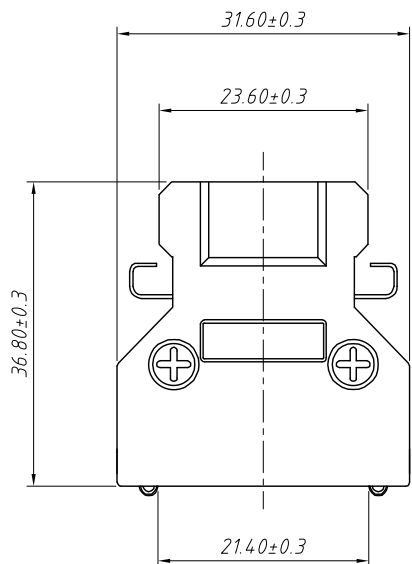
D

E

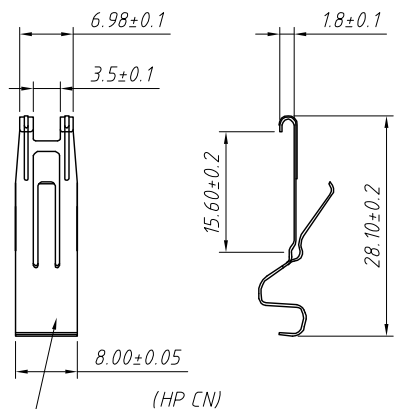
F

G

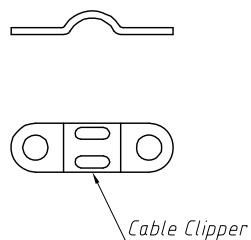
H



Spring Latches
(2 Places)



(HP CN)



Materials:
 1.Back Shell:Zinc Alloy,Plating:Ni
 2.Spring Latch:Stainless Steel
 3.Flat Screw:Steel,Plating:Ni
 4.Cable Clipper:Steel,Plating:Ni

Electrical:
 1.Voltage Rating:250VAC
 2.Current Rating:1.0A
 3.Contact Resistance:30mΩ Max.
 4.Insulation Resistance:500MΩ Min.@500VDC
 5.Withstanding Resistance:500VAC RMS.
 50Hz 1minute

Environmental:
 1.Operation: -40°C~105°C

Order Information:
 L-KLS1-MDRMC20
 L: RoHS
 SCSI Connector
 No.of 20 Pins

ANGLE TOLERANCE	PROJECTION	Description:	SCSI Connector CN Type
±3°			Male Solder Metal Hood with Latch Clip
GENERAL TOLERANCE	UNITS	mm	KLS P/N: L-KLS1-MDRMC20
x.x ±0.30	SHEET SIZE	A4	NingBo KLS ELECTRONIC CO.,L TD.
x.xx ±0.20	Draw:	Daniel	
x.xxx ±0.10	Check:	Daniel	

1

2

3

4

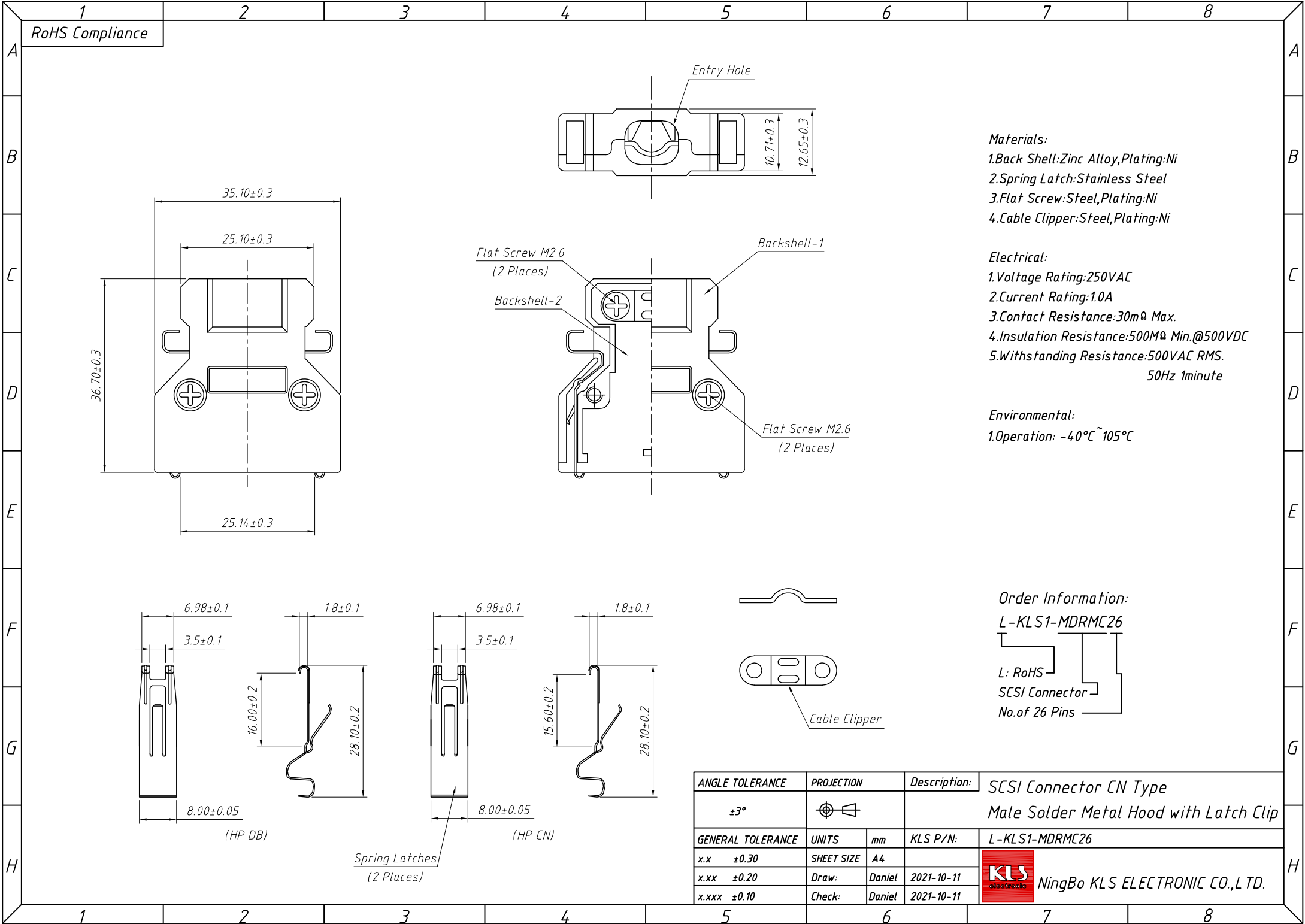
5

6

7

8

1
RoHS Compliance



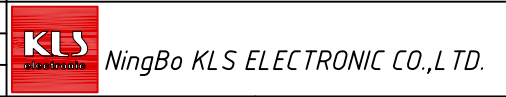
Materials:
 1.Back Shell:Zinc Alloy,Plating:Ni
 2.Spring Latch:Stainless Steel
 3.Flat Screw:Steel,Plating:Ni
 4.Cable Clipper:Steel,Plating:Ni

Electrical:
 1.Voltage Rating:250VAC
 2.Current Rating:1.0A
 3.Contact Resistance:30mΩ Max.
 4.Insulation Resistance:500MΩ Min.@500VDC
 5.Withstanding Resistance:500VAC RMS.
 50Hz 1minute

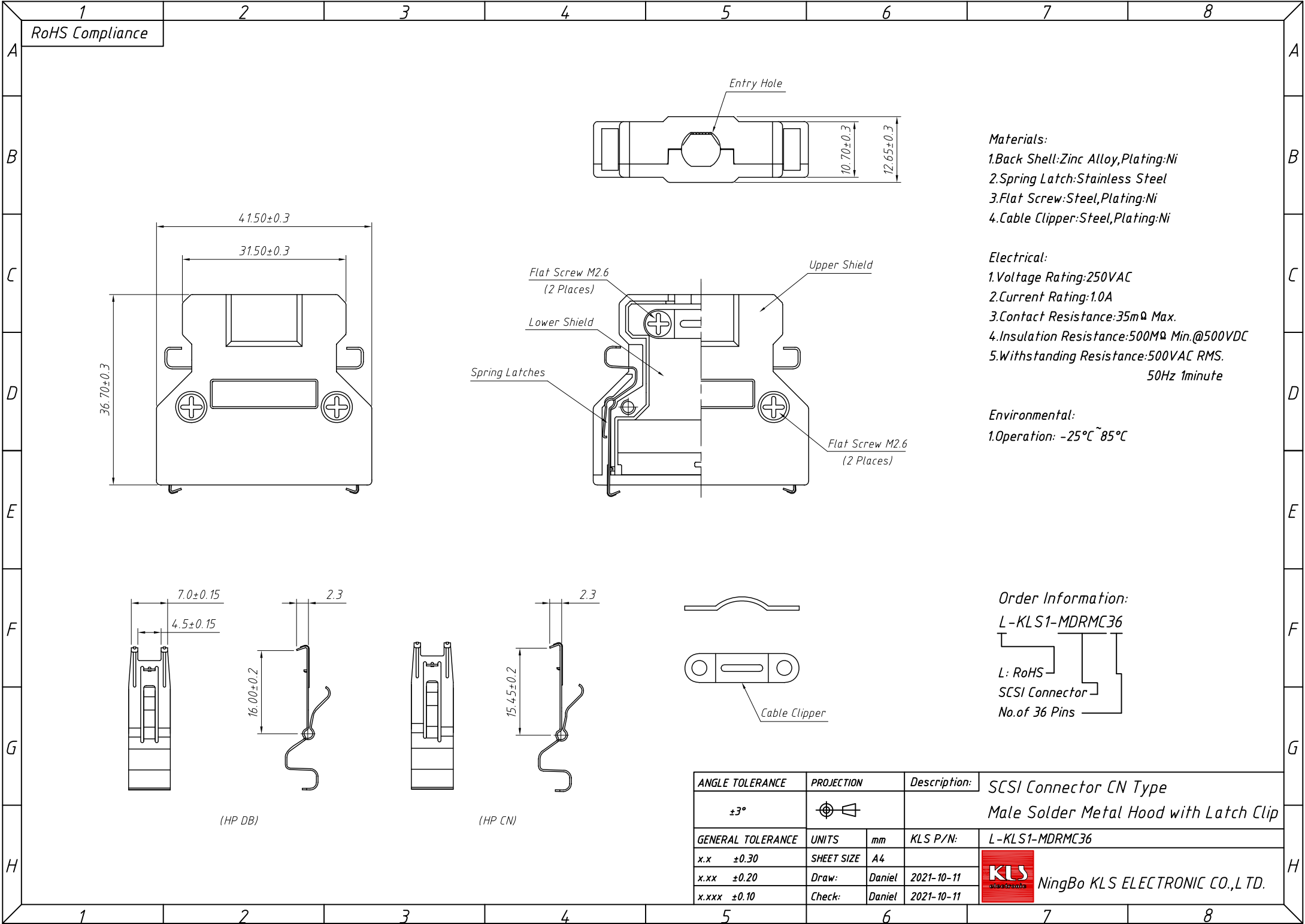
Environmental:
 1.Operation: -40°C ~ 105°C

Order Information:
 L-KLS1-MDRMC26
 L: RoHS
 SCSI Connector
 No.of 26 Pins

ANGLE TOLERANCE	PROJECTION	Description:	SCSI Connector CN Type
±3°			Male Solder Metal Hood with Latch Clip
GENERAL TOLERANCE	UNITS	mm	KLS P/N:
x.x ±0.30	SHEET SIZE	A4	L-KLS1-MDRMC26
x.xx ±0.20	Draw:	Daniel	2021-10-11
x.xxx ±0.10	Check:	Daniel	2021-10-11



1
RoHS Compliance

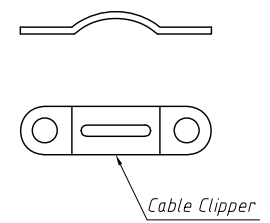
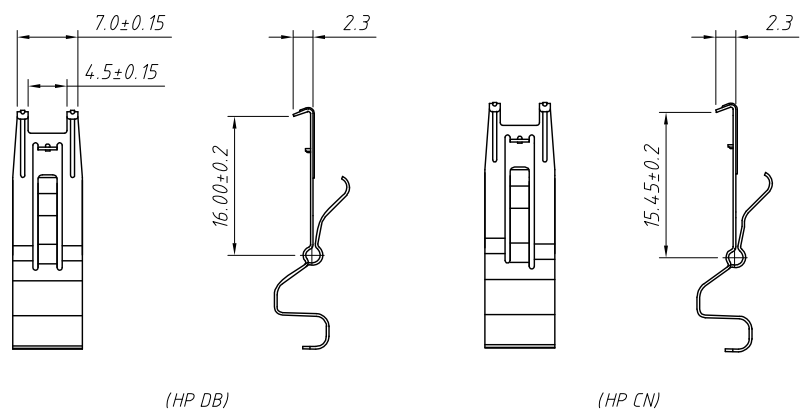


Materials:
 1.Back Shell:Zinc Alloy,Plating:Ni
 2.Spring Latch:Stainless Steel
 3.Flat Screw:Steel,Plating:Ni
 4.Cable Clipper:Steel,Plating:Ni

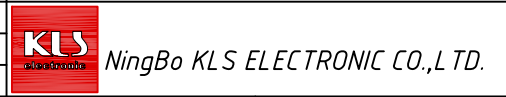
Electrical:
 1.Voltage Rating:250VAC
 2.Current Rating:1.0A
 3.Contact Resistance:35mΩ Max.
 4.Insulation Resistance:500MΩ Min.@500VDC
 5.Withstanding Resistance:500VAC RMS.
 50Hz 1minute

Environmental:
 1.Operation: -25°C ~85°C

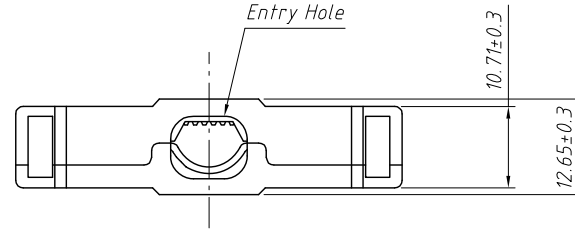
Order Information:
 L-KLS1-MDRMC36
 L: RoHS
 SCSI Connector
 No.of 36 Pins



ANGLE TOLERANCE	PROJECTION	Description:	SCSI Connector CN Type
±3°			Male Solder Metal Hood with Latch Clip
GENERAL TOLERANCE	UNITS	mm	KLS P/N:
x.x ±0.30	SHEET SIZE	A4	L-KLS1-MDRMC36
x.xx ±0.20	Draw:	Daniel	2021-10-11
x.xxx ±0.10	Check:	Daniel	2021-10-11

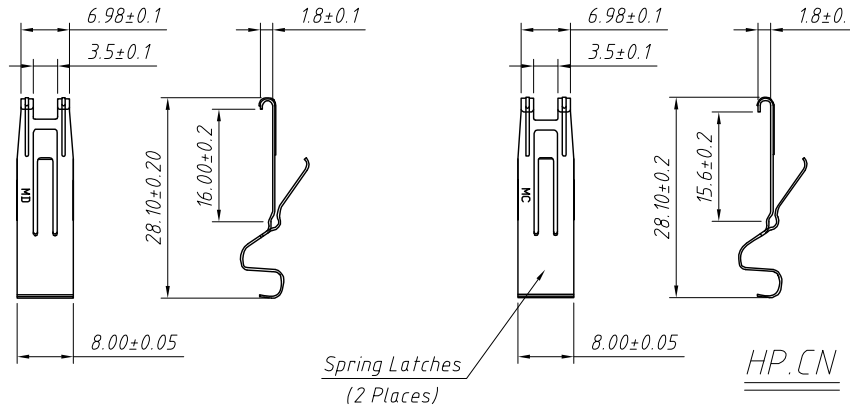
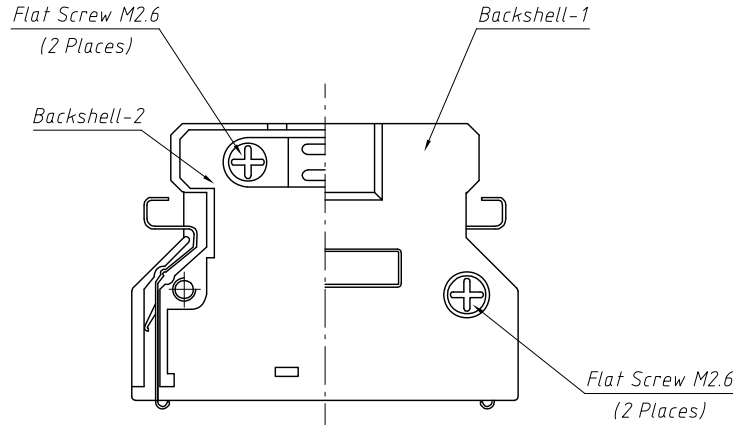
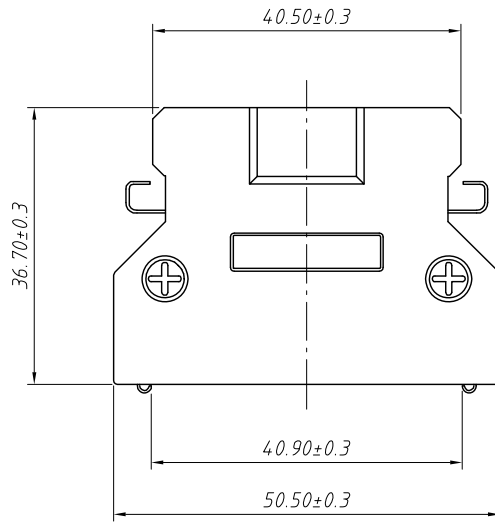


1 RoHS Compliance

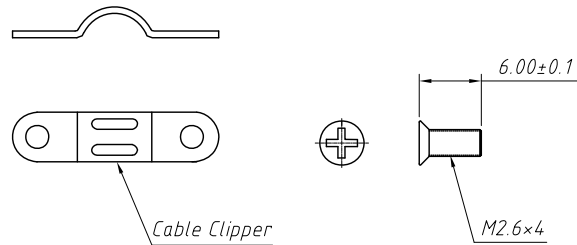


Material:
 Back Shell: Zinc Plated Nickel Over Copper
 Spring Latches: Stainless Steel
 Screw: Steel Nickel Plated Over Copper
 Cable Clipper: Steel Nickel Plated

Features:
 Round Cable Straight Exit
 Strain Relief Staple With Jackscrew
 Back Shell Desing By Die Cast
 Excellent EMI/RFI Protection



Order Information:
 L-KLS1-MDRMC50
 L: RoHS
 SCSI Connector
 Serial Number
 No. of 50 Pins



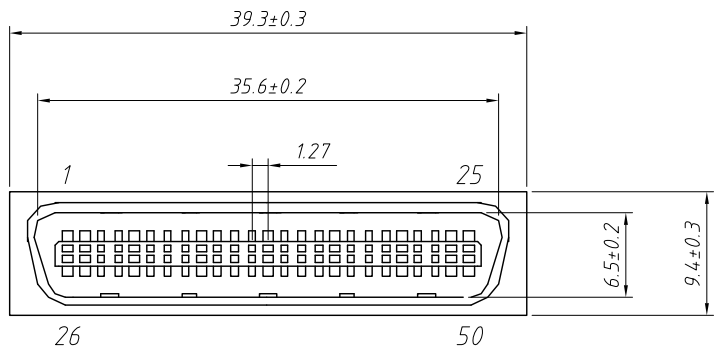
HP.DB

ANGLE TOLERANCE	PROJECTION	Description:	SCSI Connector CN Type Male Solder Metal Hood with Latch Clip
±3°			
GENERAL TOLERANCE	UNITS	mm	KLS P/N: L-KLS1-MDRMC50
x.x ±0.30	SHEET SIZE	A4	
x.xx ±0.20	Draw:	Daniel	2021-10-11
x.xxx ±0.10	Check:	Daniel	2021-10-11



NingBo KLS ELECTRONIC CO.,L TD.

1
RoHS Compliance



Electrical:

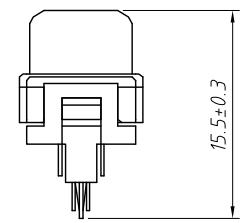
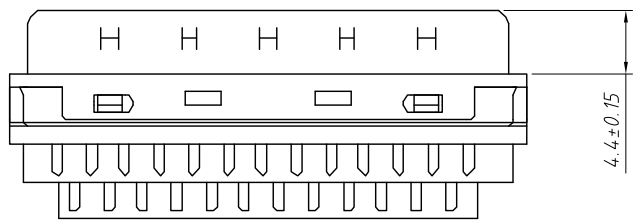
- 1.Contact Resistance:35mΩ Max.
- 2.Insulation Resistance:200MΩ Min.at 500V DC
- 3.Contact Current Rating:1 Amp AC/DC
- 4.Voltage Rating:40V AC
- 5.Withstanding Voltage:500V AC For 1 Minute
- 6.Wire Accommodation:24 26 28 & 30 AWG

Materials:

- 1.Insulator:PBT,UL 94V-0,Black.
- 2.Contact:Phosphor bronze,T=0.30
- 3.Shroud:SPCC
- 4.Contact Area Plated:Sn over Nickel 50u"
- 5.Solder Area Plated:Tin Plated

Environmental:

- 1. Operation: -40°C ~ 105°C



Order Information:

L-KLS1-MDRMC50

L: RoHS
SCSI Connector
Serial Number
No. of 50 Pins

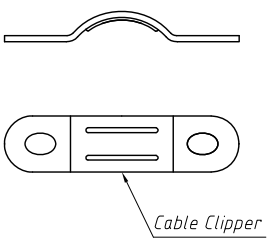
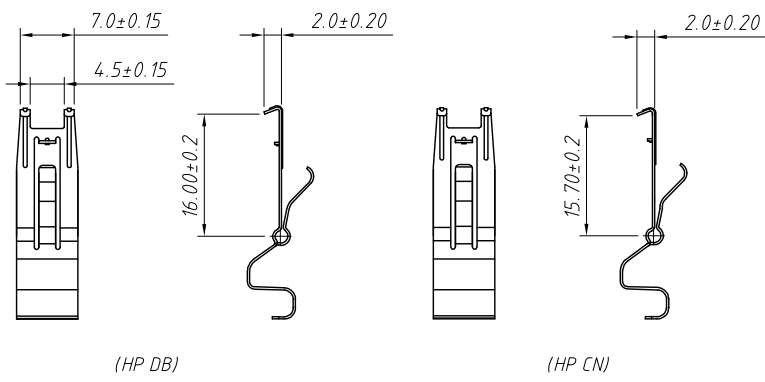
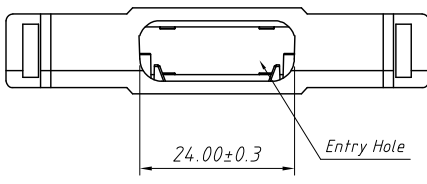
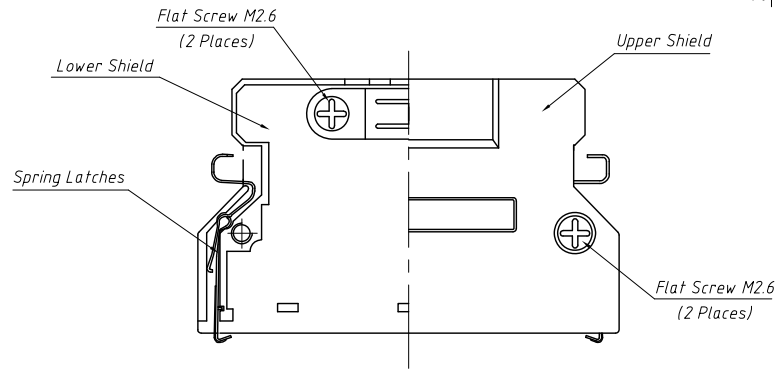
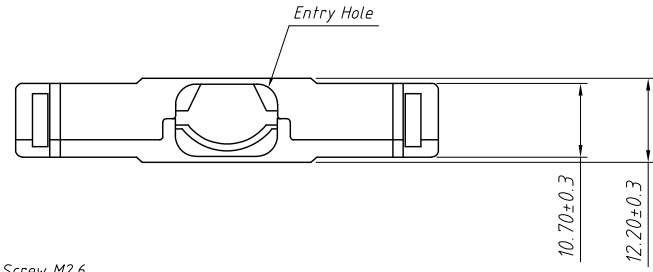
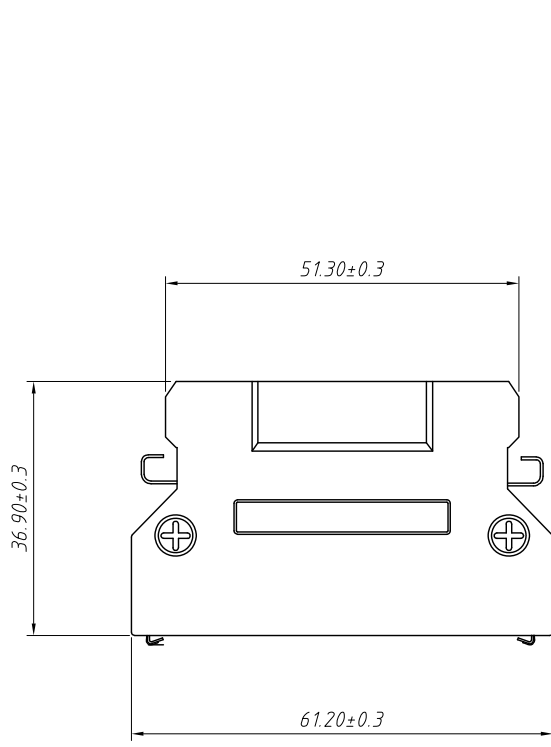
ANGLE TOLERANCE	PROJECTION	Description:	SCSI Connector CN Type Male Solder Metal Hood with Latch Clip
±3°			
GENERAL TOLERANCE	UNITS	mm	KLS P/N: L-KLS1-MDRMC50
x.x ±0.30	SHEET SIZE	A4	
x.xx ±0.20	Draw:	Daniel	2021-10-11
x.xxx ±0.10	Check:	Daniel	2021-10-11



NingBo KLS ELECTRONIC CO.,LTD.

1
RoHS Compliance

A
B
C
D
E
F
G
H



Materials:
 1.Back Shell:Zinc Alloy,Plating:Ni
 2.Flat Screw:Steel,Plating:Ni
 3.Cable Clipper:Steel,Plating:Ni
 4.Spring Latch:Stainless Steel

Electrical:
 1.Voltage Rating:250VAC
 2.Current Rating:1.0A
 3.Contact Resistance:35mΩ Max.
 4.Insulation Resistance:500MΩ Min.@50VDC
 5.Withstanding Resistance:500VAC RMS.
 50Hz 1minute

Environmental:
 1.Operation: -25°C~85°C

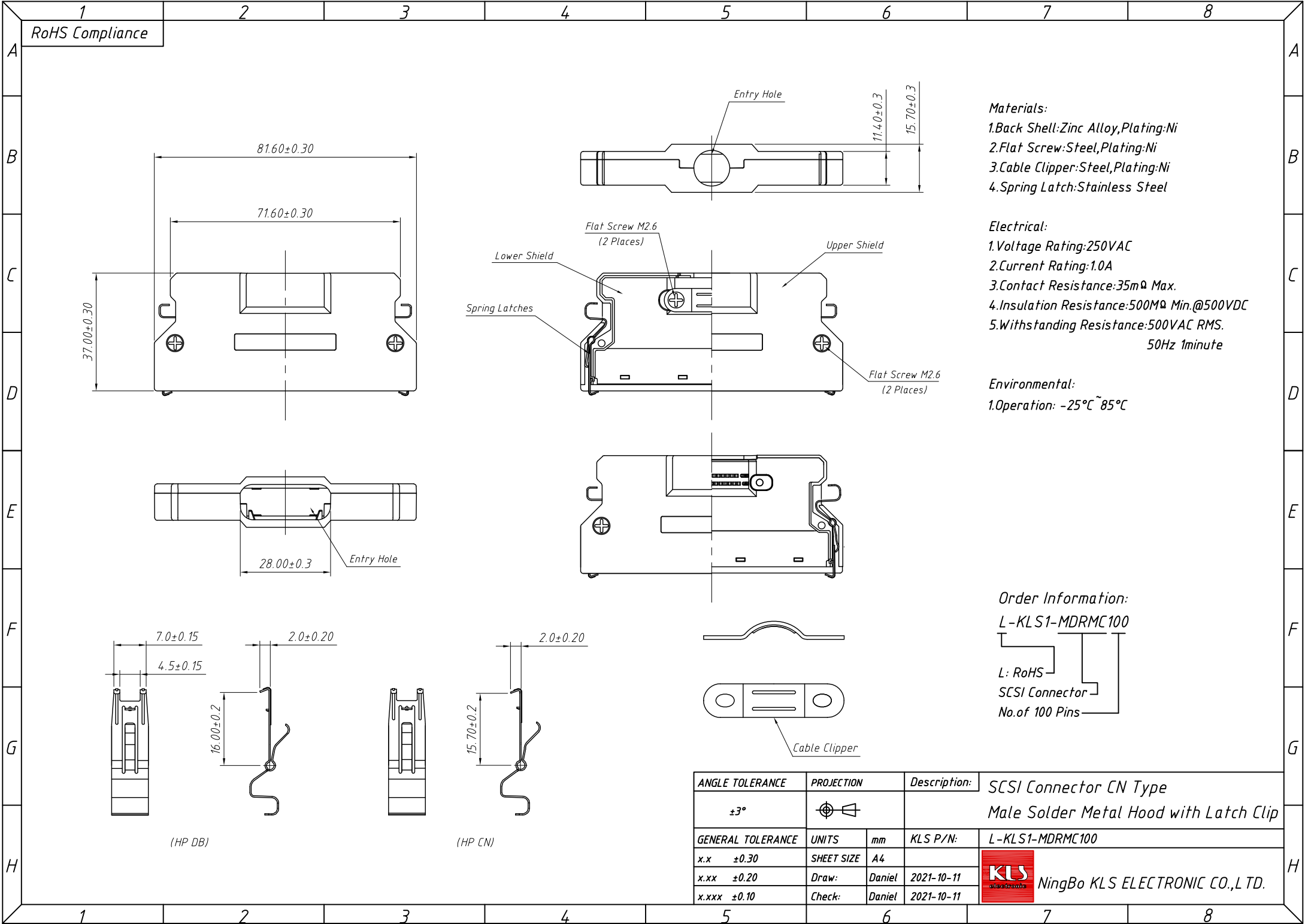
Order Information:
 L-KLS1-MDRMC68

ANGLE TOLERANCE	PROJECTION	Description:	SCSI Connector CN Type	
±3°			Male Solder Metal Hood with Latch Clip	
GENERAL TOLERANCE	UNITS	mm	KLS P/N:	L-KLS1-MDRMC68
x.x ±0.30	SHEET SIZE	A4		
x.xx ±0.20	Draw:	Daniel	2021-10-11	
x.xxx ±0.10	Check:	Daniel	2021-10-11	

NingBo KLS ELECTRONIC CO.,L TD.

1 2 3 4 5 6 7 8

1
RoHS Compliance



Materials:
 1.Back Shell:Zinc Alloy,Plating:Ni
 2.Flat Screw:Steel,Plating:Ni
 3.Cable Clipper:Steel,Plating:Ni
 4.Spring Latch:Stainless Steel

Electrical:
 1.Voltage Rating:250VAC
 2.Current Rating:1.0A
 3.Contact Resistance:35mΩ Max.
 4.Insulation Resistance:500MΩ Min.@500VDC
 5.Withstanding Resistance:500VAC RMS.
 50Hz 1minute

Environmental:
 1.Operation: -25°C ~85°C

Order Information:
 L-KLS1-MDRMC100
 L: RoHS
 SCSI Connector
 No.of 100 Pins

ANGLE TOLERANCE	PROJECTION	Description:	SCSI Connector CN Type
±3°			Male Solder Metal Hood with Latch Clip
GENERAL TOLERANCE	UNITS	mm	KLS P/N: L-KLS1-MDRMC100
x.x ±0.30	SHEET SIZE	A4	NingBo KLS ELECTRONIC CO.,L TD.
x.xx ±0.20	Draw:	Daniel 2021-10-11	
x.xxx ±0.10	Check:	Daniel 2021-10-11	