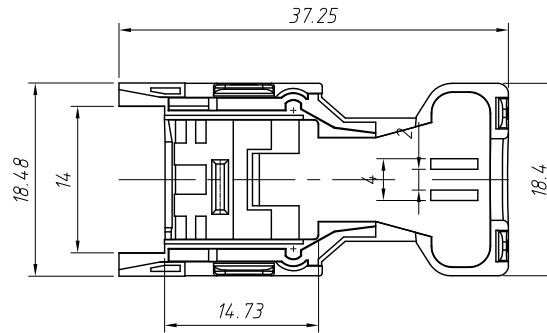
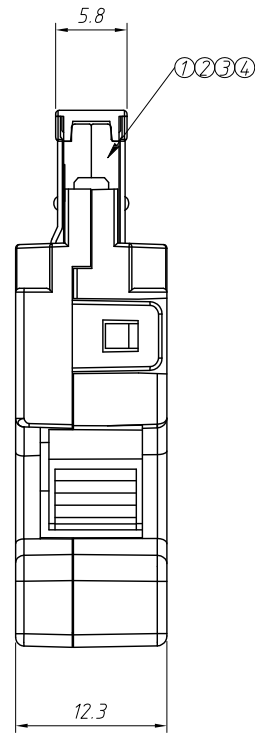
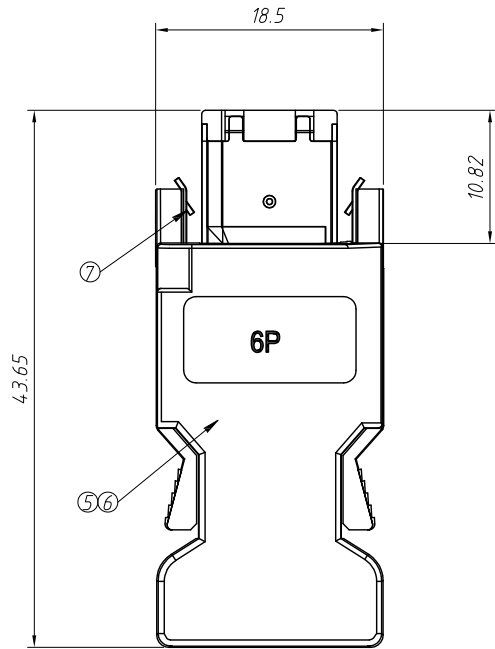
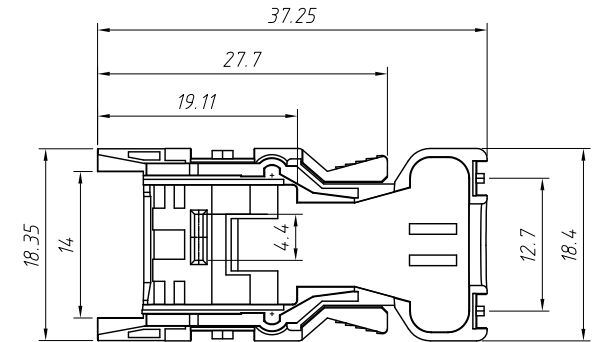


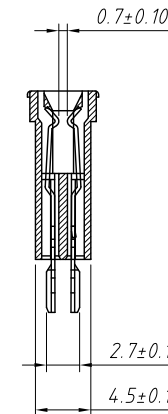
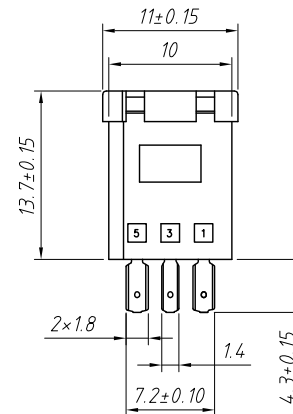
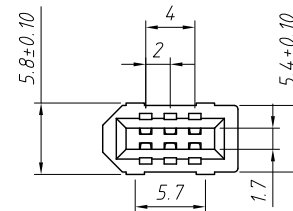
1 RoHS Compliance



Bottom shell plastic

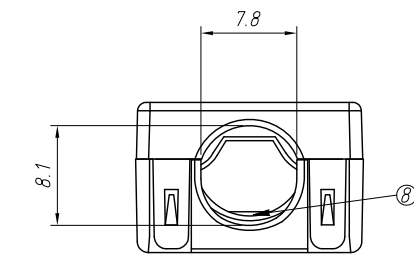


Up shell plastic



**Material**  
 Contact: Phosphor Bronze  
 Contact Plating: Au Over Ni  
 Insulator: Polyester (UL94v-0)  
 Standard: PBT

**Electrical:**  
 Current Rating: 1.0 A  
 Contact resistance: 20mΩ MAX  
 With standing Voltage: 500V AC/DC  
 Insulation resistance: 1000MΩ Min  
 Temperature Rating: -40°C to +105°C



**Materials:**

1. Plastic body: PBT, UL94-V0
2. Terminal: C5191-EH
3. Up iron shell: C2680-H
4. Bottom iron shell: C2680-H
5. Up outside shell: ABS+PC
6. Bottom outside shell: ABS+PC
7. Clips: SPCC
8. Lock: S301

**Order Information:**

L-KLS1-1394-6PM

L: RoHS  
 SCSI Connector  
 No. of 6 Pins  
 Type: F-Female M-Male

ANGLE TOLERANCE	PROJECTION	Description:
±3°		IEEE 1394 Servo Connector, 6P Female
GENERAL TOLERANCE	UNITS	mm
x.x ±0.30	SHEET SIZE	A4
x.xx ±0.20	Draw:	Daniel 2021-10-11
x.xxx ±0.10	Check:	Daniel 2021-10-11



NingBo KLS ELECTRONIC CO., L TD.