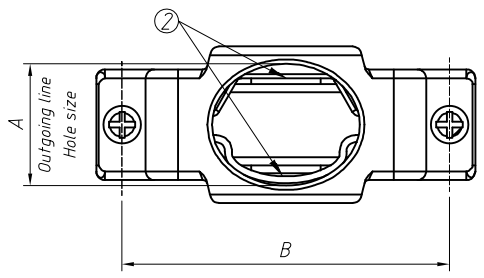
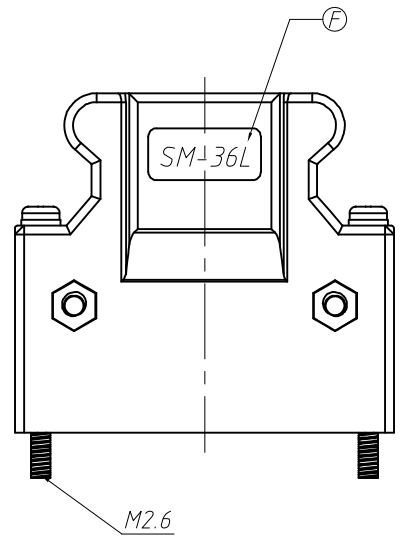
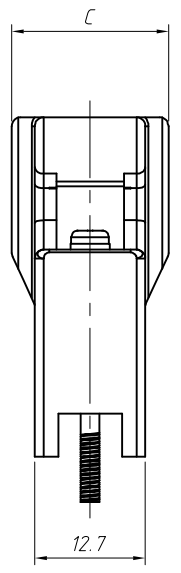
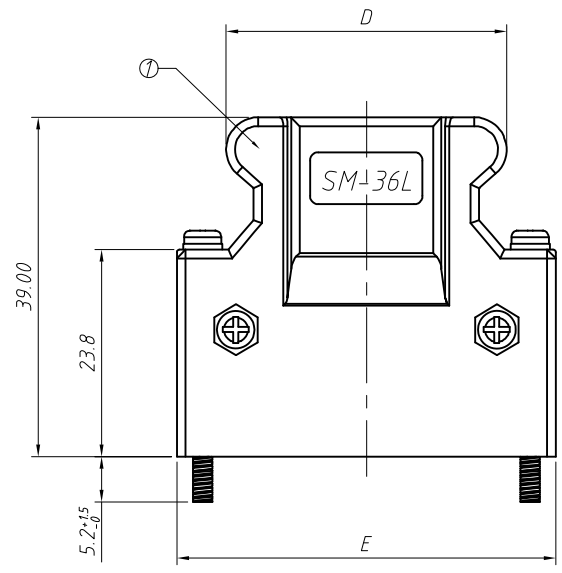


1  
RoHS Compliance



- Plastic Shell Material:
1. Plastic Shell: PBT, UL 94V-0
  2. Clamp: Spcc
  3. Cover: PBT, UL 94V-0
  4. Housing: PBT, UL 94V-0
  5. Cover Pins: Copper Alloy, Gold Plating or Nickel
  6. Shell: SPCC, Gold Plating or Nickel

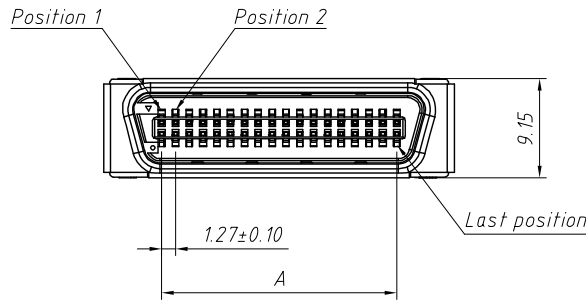
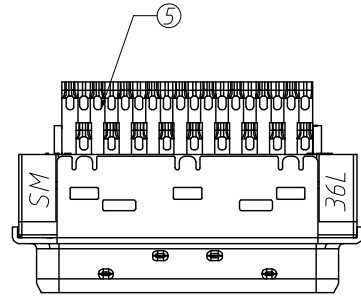
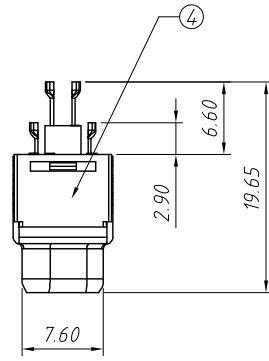
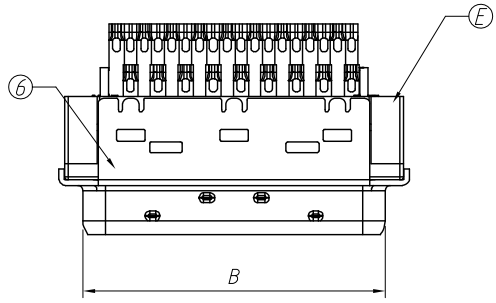
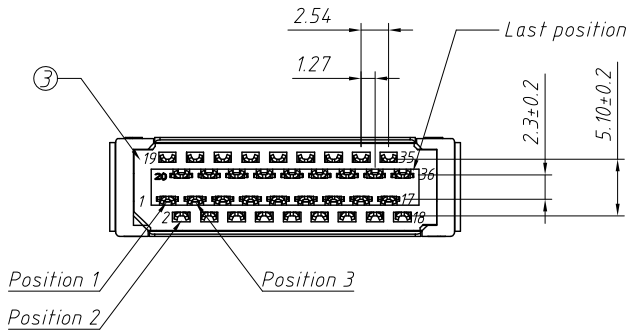


Order Information:  
 L-KLS1-MDRM36  
 L: RoHS  
 SCSI Connector  
 Serial Number  
 No. of 14 ~ 50 Pins

No. of Pin	DIMENSIONS					
	A	B	C	D	E	F(Printing)
14	7.00	23.60	12.70	18.20	29.50	SM-14L
20	10.00	27.40	14.00	22.05	33.35	SM-20L
26	10.00	31.30	14.00	25.86	37.16	SM-26L
36	10/14	37.61	18.00	32.21	43.51	SM-36L
50	14.00	46.50	18.00	41.10	52.40	SM-50L

ANGLE TOLERANCE	PROJECTION	Description:			
±3°		Mini D Ribbon (MDR) Connectors Male			
GENERAL TOLERANCE	UNITS	mm	KLS P/N:	L-KLS1-MDRM	
x.x ±0.30	SHEET SIZE	A4			
x.xx ±0.20	Draw:	Daniel	2021-10-11	NingBo KLS ELECTRONIC CO.,LTD.	
x.xxx ±0.10	Check:	Daniel	2021-10-11		

1 RoHS Compliance



**Electrical:**  
 1.Contact Resistance:35mΩ Max.  
 2.Insulation Resistance:200MΩ Min.at 500V DC  
 3.Voltage Rating:40V AC  
 4.Withstanding Voltage:500V AC For 1 Minute  
 5.Wire Accommodation:24 26 28 &30 AWG

**Materials:**  
 1.Insulator:PBT,UL 94 V-0,Black.  
 2.Contact:Phosphor bronze,T=0.30  
 3.Shroud:SPCC  
 4.Contact Area Plated:Sn over Nickel 50u"  
 5.Solder Area Plated:Tin Plated

**Environmental:**  
 1. Operation: -25°C~85°C

No. of Pin	DIMENSIONS		
	A	B	E(Printing)
14	7.62	13.80	14L
20	11.43	17.61	20L
26	15.24	21.42	26L
36	21.59	27.77	36L
50	30.48	36.66	50L

**Order Information:**  
 L-KLS1-MDRM36  
 L: RoHS  
 SCSI Connector  
 Serial Number  
 No. of 14 ~ 50 Pins

ANGLE TOLERANCE	PROJECTION	Description:
±3°		Mini D Ribbon (MDR) Connectors Male
GENERAL TOLERANCE	UNITS	mm
x.x ±0.30	SHEET SIZE	A4
x.xx ±0.20	Draw:	Daniel 2021-10-11
x.xxx ±0.10	Check:	Daniel 2021-10-11

**KLS** NingBo KLS ELECTRONIC CO.,L TD.