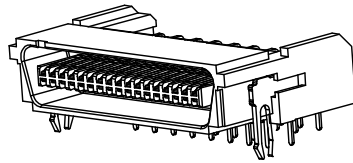
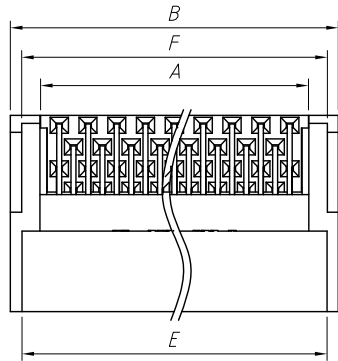


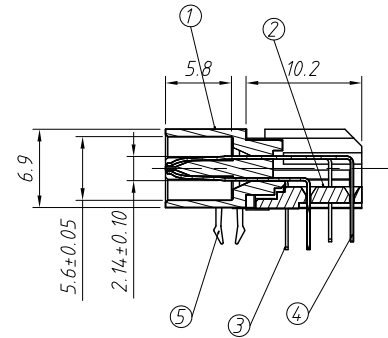
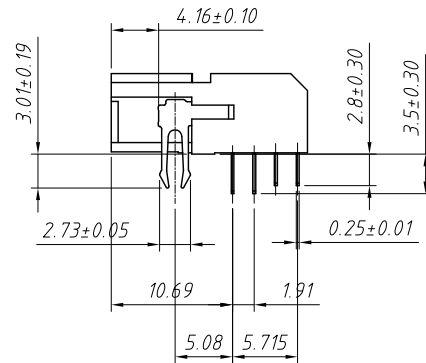
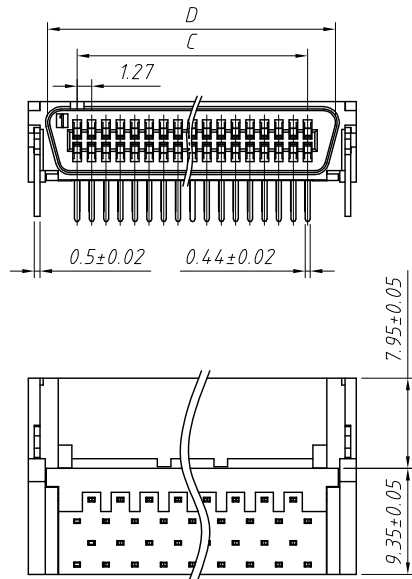
RoHS Compliance



Electrical:
 1.Contact Resistance:50mΩ Max.
 2.Insulation Resistance:1000MΩ Min.
 3.Withstanding Resistance:500VAC RMS.

Materials:
 1.Housing:PBT+GF25%,UL 94 V-0,Black.
 2.Cover:PBT+GF25%,UL 94 V-0
 3.Contact:Phosphor bronze
 4.Short Terminal:C5210-H,T=0.30
 5.Long Terminal:C5210-H,T=0.30
 6.Harpoon:C5191-H,T=0.50

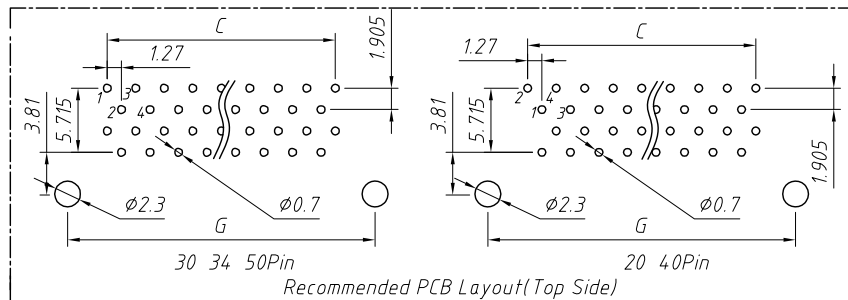
Environmental:
 1. OPERATION: -40°C~105°C



Order Information:

L-KLS1-SCSI-09-40 M L S
 L: RoHS
 SCSI Connector
 Serial Number
 No. of 20~50 Pins
 Type: M-Male
 Lock Option:
 L: With Fork Lock
 N: Without Fork Lock
 Plating:
 S: Half Gold Tin 3u" G: All Gold 3u"

No. of Pin	DIMENSIONS						
	A	B	C	D	E	F	G
20	14.81	20.01	11.43	16.41	18.11	18.06	18.54
30	21.16	26.36	17.78	22.76	24.46	24.41	24.89
34	23.70	28.90	20.32	25.30	27.00	26.95	27.43
40	27.51	32.71	24.13	29.11	30.81	30.76	31.24
50	33.86	39.06	30.48	35.46	37.16	37.11	37.59

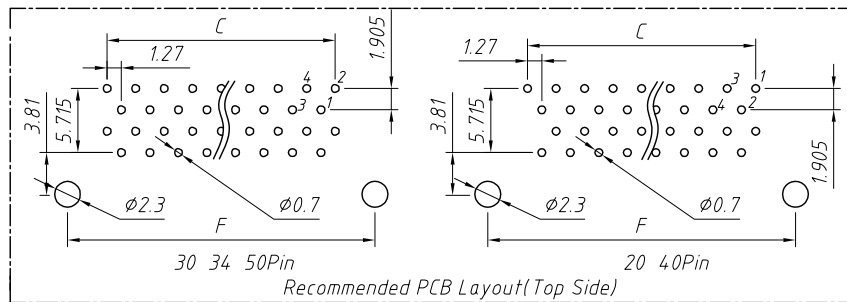
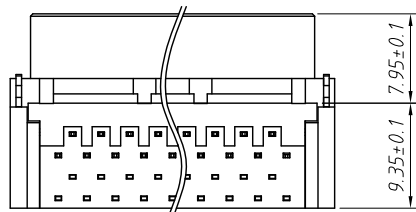
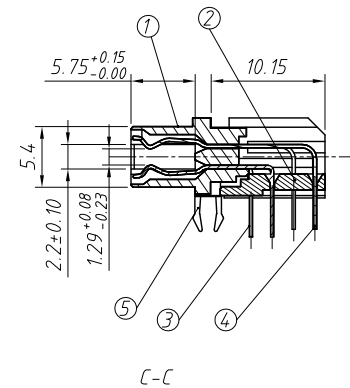
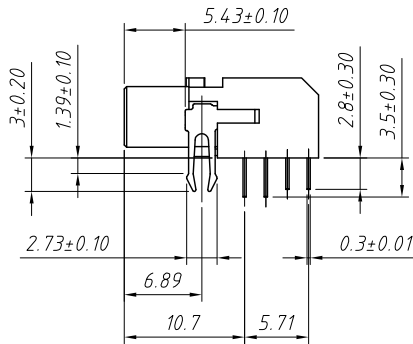
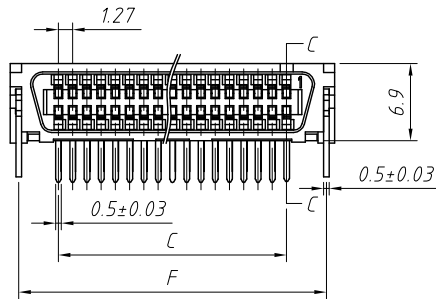
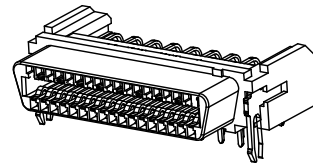
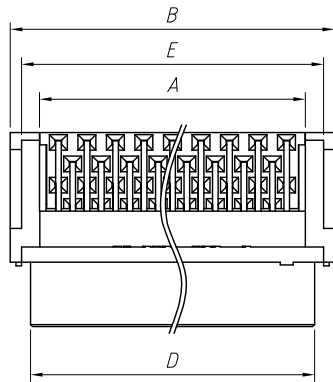


ANGLE TOLERANCE	PROJECTION	Description:
±3°		SCSI Connector CN Type Plastic R/A Right Male PCB Mount
GENERAL TOLERANCE	UNITS	mm
x.x ±0.30	SHEET SIZE	A4
x.xx ±0.20	Draw:	Daniel 2021-10-11
x.xxx ±0.10	Check:	Daniel 2021-10-11



NingBo KLS ELECTRONIC CO.,LTD.

1 RoHS Compliance

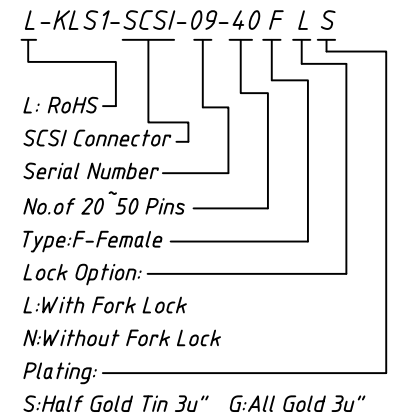


Electrical:
 1.Contact Resistance:50mΩ Max.
 2.Insulation Resistance:1000MΩ Min.
 3.Withstanding Resistance:500VAC RMS.

Materials:
 1.Housing:PBT+GF25%,UL 94 V-0,Black.
 2.Cover:PBT+GF25%,UL 94 V-0
 3.Contact:Phosphor bronze
 4.Short Terminal:C5210-H,T=0.30
 5.Long Terminal:C5210-H,T=0.30
 6.Harpoon:C5191-H,T=0.50

Environmental:
 1. OPERATION: -40°C ~ 105°C

Order Information:



No. of Pin	DIMENSIONS					
	A	B	C	D	E	F
20	14.81	20.01	11.43	16.41	18.01	18.54
30	21.16	26.36	17.78	22.76	24.36	24.89
34	23.70	28.90	20.32	25.30	26.90	27.43
40	27.51	32.71	24.13	29.11	30.71	31.24
50	33.86	39.06	30.48	35.46	37.06	37.59

ANGLE TOLERANCE	PROJECTION	Description:		
±3°		SCSI Connector CN Type Plastic R/A Right Female PCB Mount		
GENERAL TOLERANCE	UNITS	mm	KLS P/N:	L-KLS1-SCSI-09
x.x ±0.30	SHEET SIZE	A4		
x.xx ±0.20	Draw:	Daniel	2021-10-11	
x.xxx ±0.10	Check:	Daniel	2021-10-11	

NingBo KLS ELECTRONIC CO.,LTD.