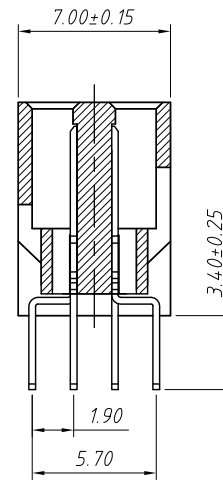
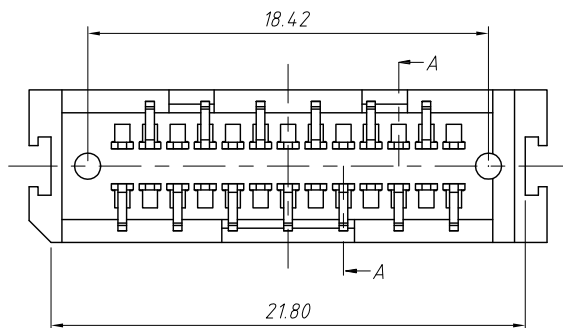
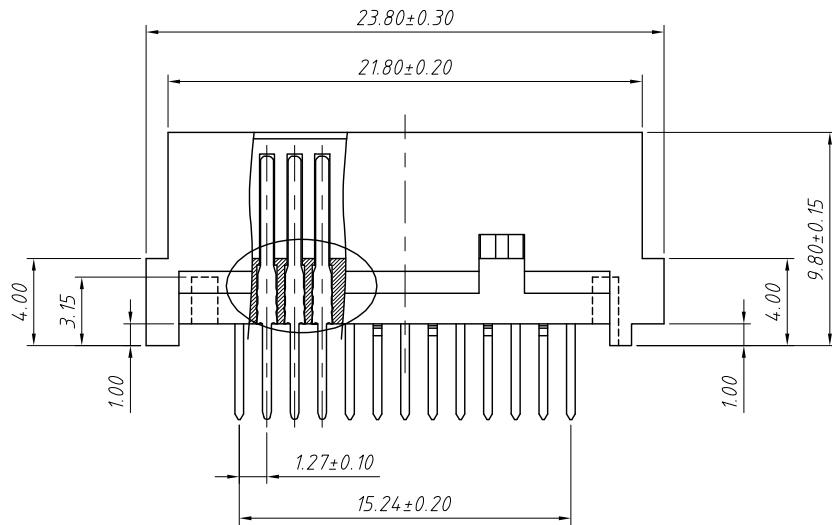
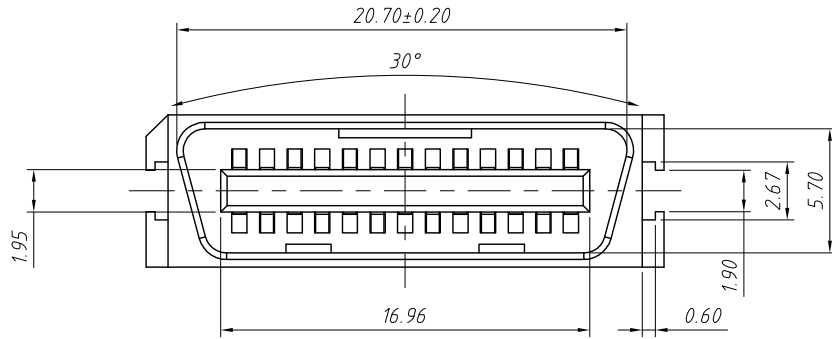


1 RoHS Compliance



Section A-A

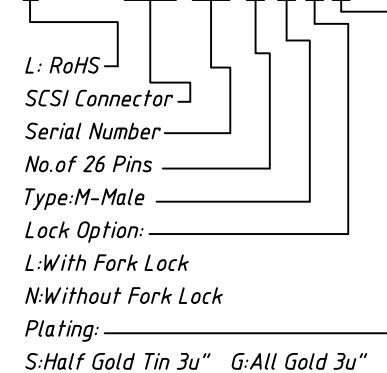
Electrical:
 1.Voltage Current Rating:0.5AMP.250V AC
 2.Contact Resistance:30mΩ Max.
 3.Insulation Resistance:500MΩ Min.@500VDC
 4.Withstanding Resistance:500VAC RMS.

Materials:
 1.Housing:Thermioplastic,UL 94 V-0,Black
 2.Contact:Copper Alloy
 3.Shell:Zinc Alloy

Environmental:
 1. OPERATION: -40°C~105°C

Order Information:

L-KLS1-SCSI-06B-26 M N S



ANGLE TOLERANCE	PROJECTION	Description:	SCSI Connector CN Type Plastic Straight Male PCB Mount
±3°			
GENERAL TOLERANCE	UNITS	mm	KLS P/N:
x.x ±0.30	SHEET SIZE	A4	L-KLS1-SCSI-06B-26MNS
x.xx ±0.20	Draw:	Daniel	2021-10-11
x.xxx ±0.10	Check:	Daniel	2021-10-11



NingBo KLS ELECTRONIC CO.,L TD.