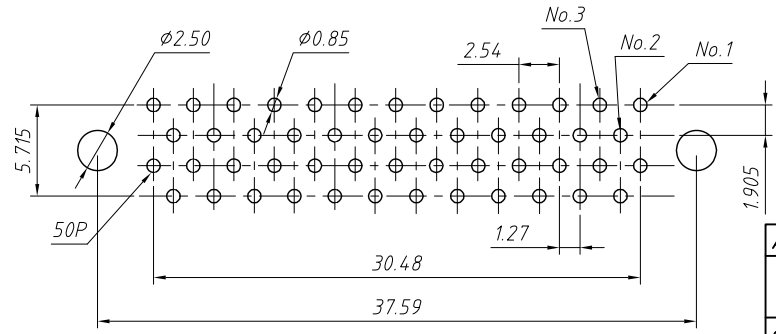
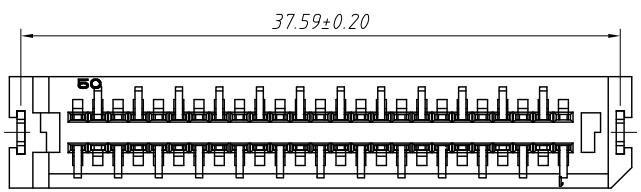
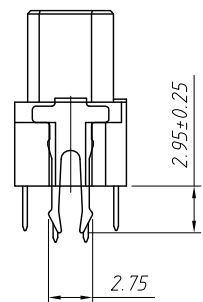
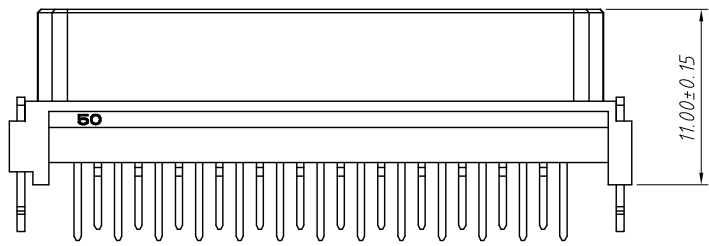
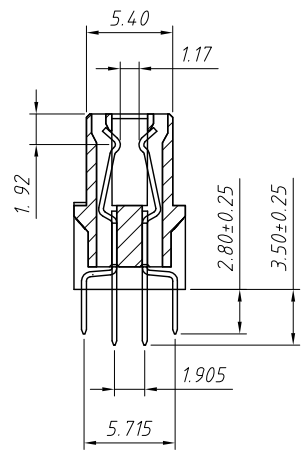
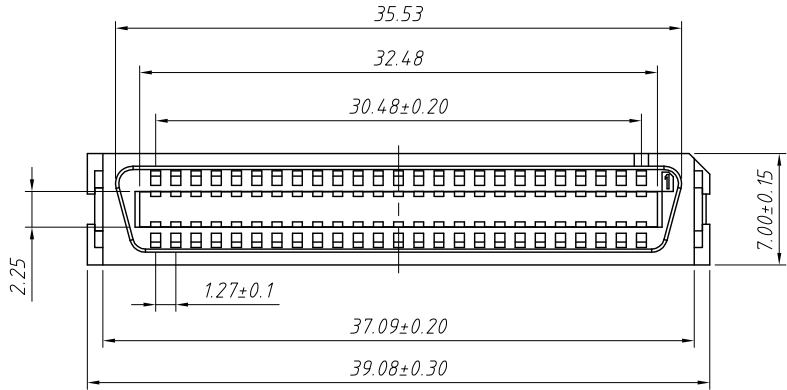


1 RoHS Compliance



Recommended PCB Layout

Electrical:
 1. Voltage Current Rating: 0.5AMP. 250V AC
 2. Contact Resistance: 50mΩ Max.
 3. Insulation Resistance: 500MΩ Min. @500VDC
 4. Withstanding Resistance: 500VAC RMS.

Materials:
 1. Housing: Thermoplastic, UL 94 V-0, Black
 2. Contact: Copper Alloy
 3. Shell: Zinc Alloy

Environmental:
 1. OPERATION: -40°C ~ 105°C

Order Information:
 L-KLS1-SCSI-06A-50 F L S
 L: RoHS
 SCSI Connector
 Serial Number
 No. of 50 Pins
 Type: F-Female
 Lock Option:
 L: With Fork Lock
 N: Without Fork Lock
 Plating:
 S: Half Gold Tin 3u" G: All Gold 3u"

ANGLE TOLERANCE	PROJECTION	Description:	SCSI Connector CN Type Plastic Straight Female PCB Mount
±3°			
GENERAL TOLERANCE	UNITS	mm	KLS P/N:
x.x ±0.30	SHEET SIZE	A4	L-KLS1-SCSI-06A-50FLS
x.xx ±0.20	Draw:	Daniel	2021-10-11
x.xxx ±0.10	Check:	Daniel	2021-10-11

