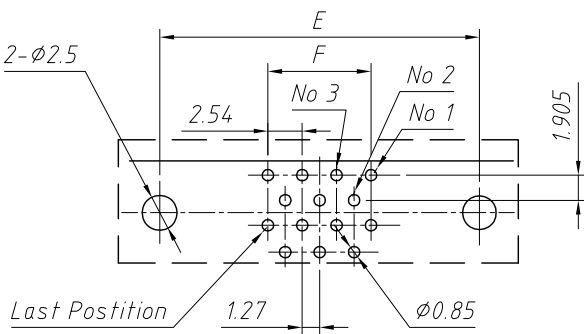
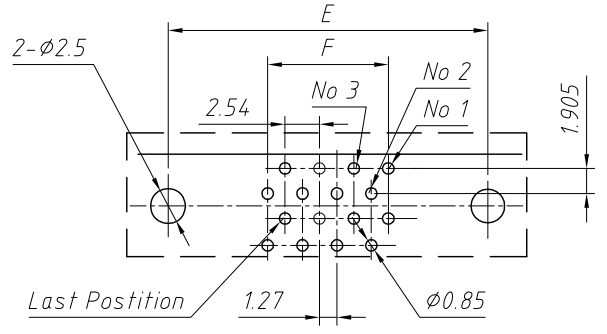


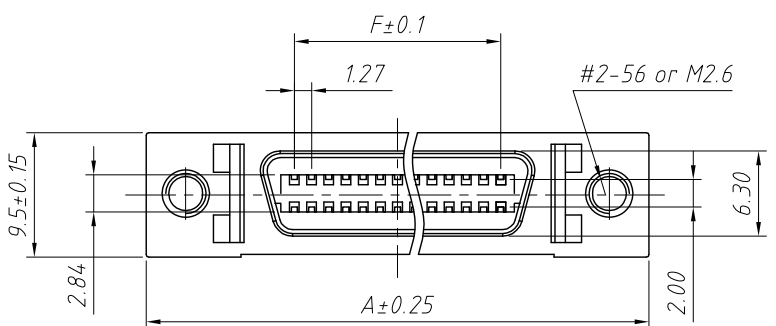
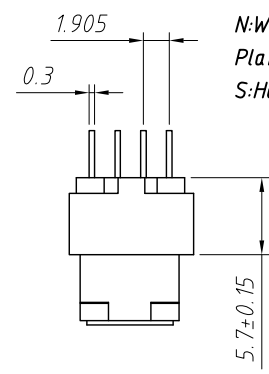
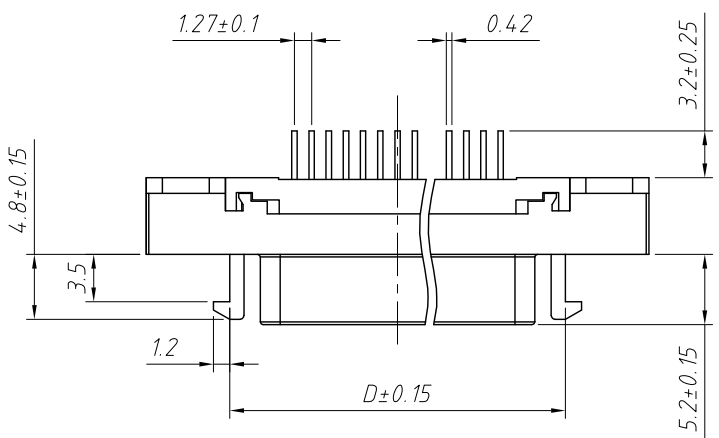
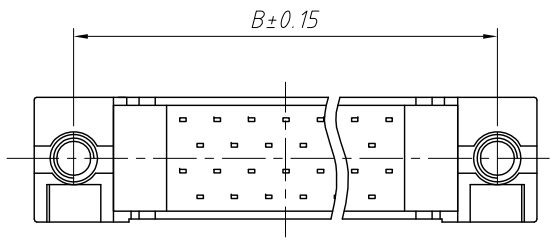
1
RoHS Compliance



PCB Layout (14 26 50 Pos)

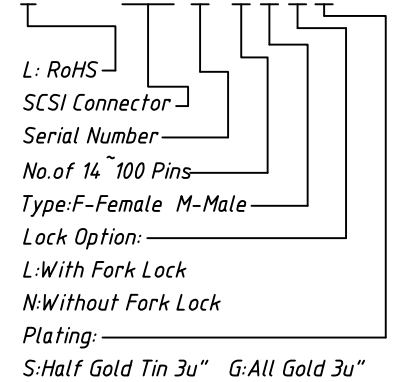


PCB Layout (20 36 40 68 100 Pos)



Order Information:

L-KLS1-SCSI-02-20 F L S



Electrical:

- 1. Voltage Rating: 250VAC
- 2. Current Rating: 1.0A
- 3. Contact Resistance: 30mΩ Max.
- 4. Insulation Resistance: 500MΩ Min. @500VDC
- 5. Withstanding Resistance: 500VAC RMS. 50Hz 1minute

Materials:

- 1. Housing: Thermoplastic, PBT, UL 94V-0
- 2. Contact: Copper Alloy
- 3. Plating: Gold Plating over nickel in contact, Tin Plating over nickel in solder area
- 4. Shell: Zinc Alloy, Nickel Plated

Environmental:

- 1. OPERATION: -40°C ~ 105°C

No. of Pin	DIMENSIONS					
	A	B	C	D	E	F
14	29.51	23.64	12.63	17.25	23.64	7.62
20	33.32	27.45	16.44	21.06	27.45	11.43
26	37.13	31.26	20.25	24.76	31.26	15.24
36	43.48	37.61	26.60	31.11	37.61	21.59
40	46.08	40.15	29.14	33.65	40.15	24.13
50	52.37	46.50	35.49	40.00	46.50	30.48
68	64.00	57.92	46.92	51.43	57.92	41.91
100	84.18	78.23	67.10	71.75	78.23	62.23

ANGLE TOLERANCE	PROJECTION	Description:	SCSI Connector CN Type Female Straight PCB Mount
±3°			
GENERAL TOLERANCE	UNITS	mm	KLS P/N: L-KLS1-SCSI-02
x.x ±0.30	SHEET SIZE	A4	
x.xx ±0.20	Draw:	Daniel	2021-10-11
x.xxx ±0.10	Check:	Daniel	2021-10-11



NingBo KLS ELECTRONIC CO.,LTD.