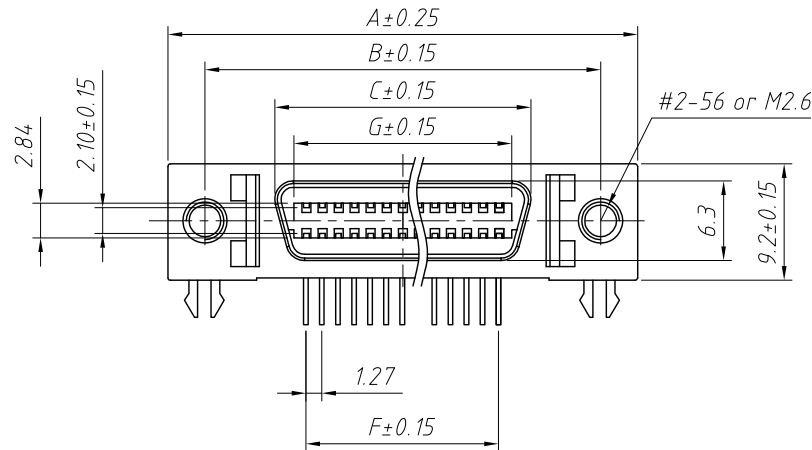
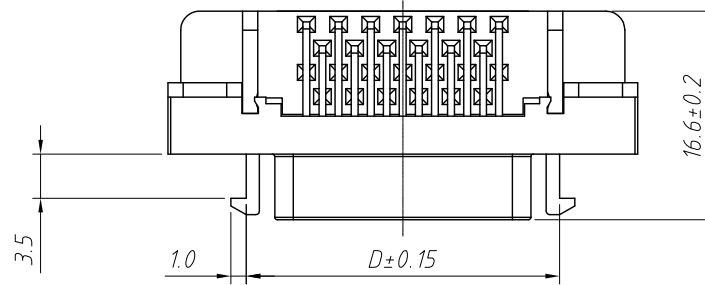
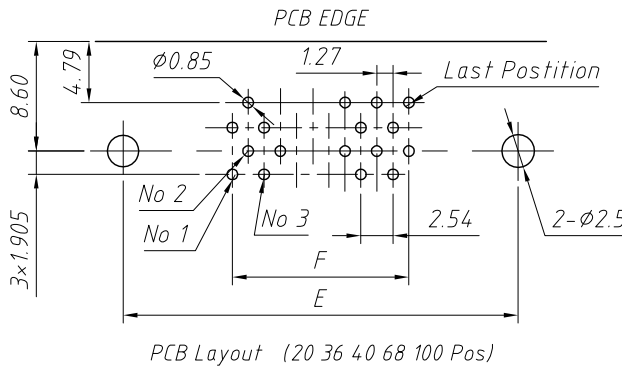
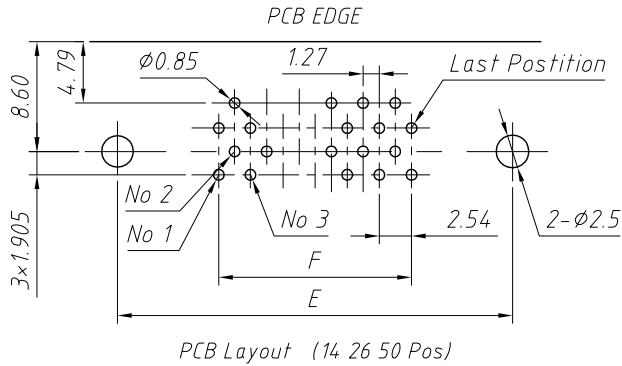
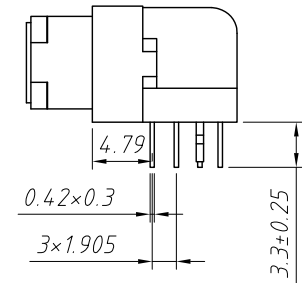
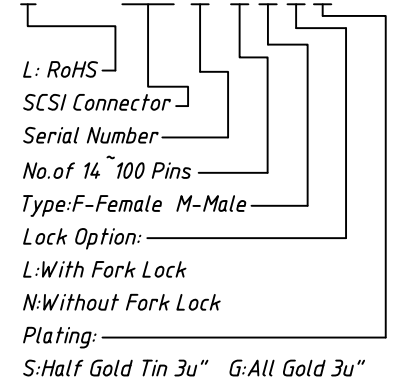


RoHS Compliance



Order Information:

L-KLS1-SCSI-01-20 F L S



Electrical:

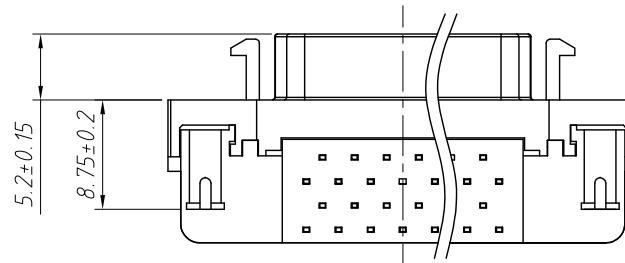
- 1.Voltage Rating: 250VAC
- 2.Current Rating: 1.0A
- 3.Contact Resistance: 30mΩ Max.
- 4.Insulation Resistance: 500MΩ Min.@500VDC
- 5.Withstanding Resistance:500VAC RMS.50Hz 1minute

Materials:

- 1.Housing: Thermoplastic,PBT,UL 94V-0
- 2.Contact: Copper Alloy
- 3.Plating:Gold Plating over nickel in contact,Tin Planting over nickel in solder area
- 4.Shell: Zinc Alloy, Nickel Plated

Environmental:

1. OPERATION: -40°C~105°C



No. of Pin	DIMENSIONS						
	A	B	C	D	E	F	G
14	29.57	23.64	12.63	17.25	23.64	7.62	9.52
20	33.40	27.45	16.44	21.06	27.45	11.43	13.10
26	37.19	31.26	20.25	24.76	31.26	15.24	17.10
36	43.54	37.61	26.60	31.11	37.61	21.59	23.40
40	46.15	40.15	29.14	33.65	40.15	24.13	25.99
50	52.50	46.50	35.49	40.00	46.50	30.48	32.29
68	63.92	57.92	46.92	51.43	57.92	41.91	43.77
100	84.18	78.23	67.10	71.75	78.23	62.23	64.09

ANGLE TOLERANCE	PROJECTION	Description:	
±3°		SCSI Connector CN Type Female R/A PCB Mount	
GENERAL TOLERANCE	UNITS	mm	KLS P/N:
x.x ±0.30	SHEET SIZE	A4	L-KLS1-SCSI-01
x.xx ±0.20	Draw:	Daniel	2021-10-11
x.xxx ±0.10	Check:	Daniel	2021-10-11



NingBo KLS ELECTRONIC CO.,L TD.