

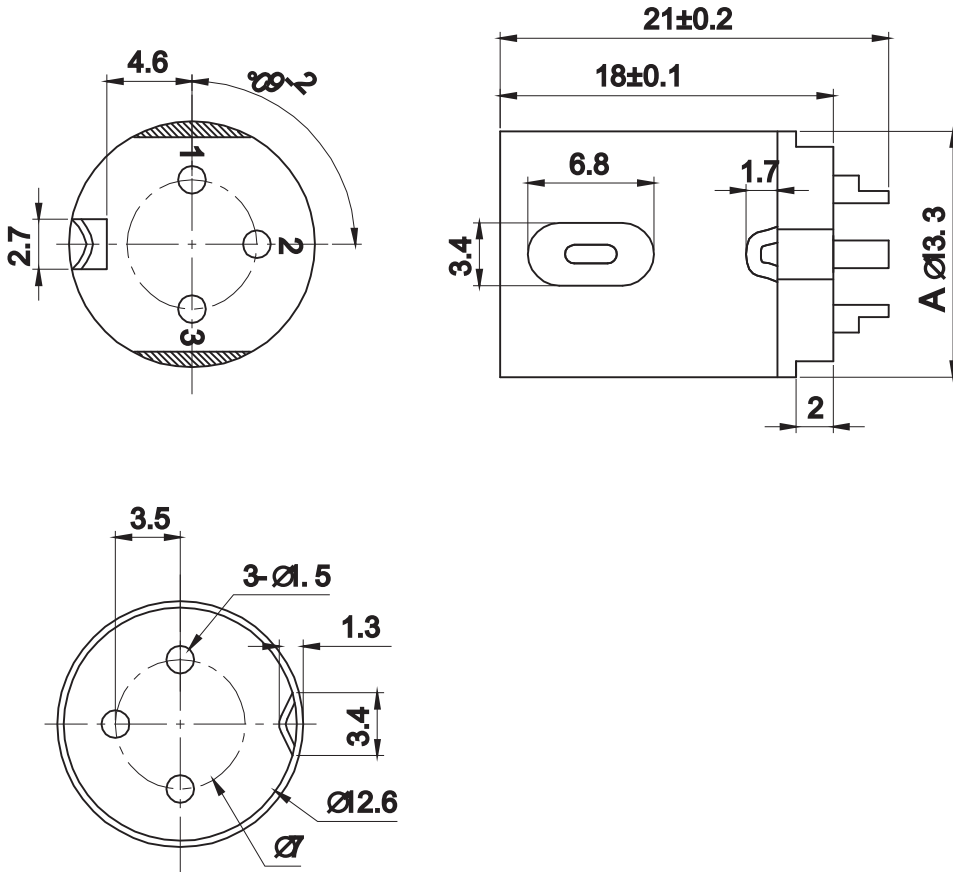
Mini Din Connectors*Din Connectors

L-KLS1-DSCT-3-07M DSCT Terminal Series



Technical Characteristics:

- 1 use conditions:
 - Ambient temperature: ~70 C -25 C
 - Relative humidity: 95% (40 degrees C)
- 2 rated load: AC2A 100V
- 3.Contact resistance: 3 30m ohm
- 4.Insulation resistance: 4 100M ohm
- 5 pressure: AC 500V (50Hz) 1min
- 6 insertion force: 10-50N
- 7 life: 5000 times



ORDER INFORMATION

Product NO.: KLS1-DSCT-3-07M



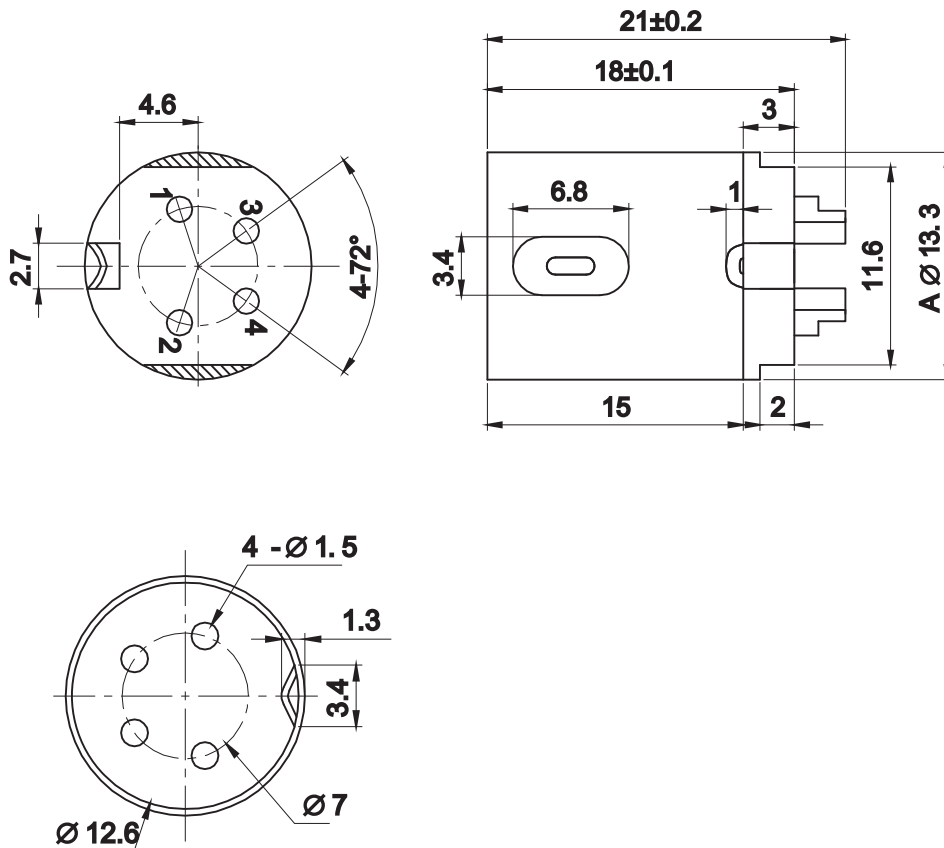
Mini Din Connectors* Din Connectors

KLS1-DSCT-4-07M DSCT Terminal Series

I

Technical Characteristics:

- 1 use conditions:
Ambient temperature: ~70 C -25 C
Relative humidity: 95% (40 degrees C)
- 2 rated load: AC2A 100V
- 3.Contact resistance: 3 30m ohm
- 4.Insulation resistance: 4 100M ohm
- 5 pressure: AC 500V (50Hz) 1min
- 6 insertion force: 10-50N
- 7 life: 5000 times



ORDER INFORMATION

Product NO.: KLS1-DSCT-4-07M

Pos. NO. _____
DSCT Terminal Series _____ Pin Number:4-4P

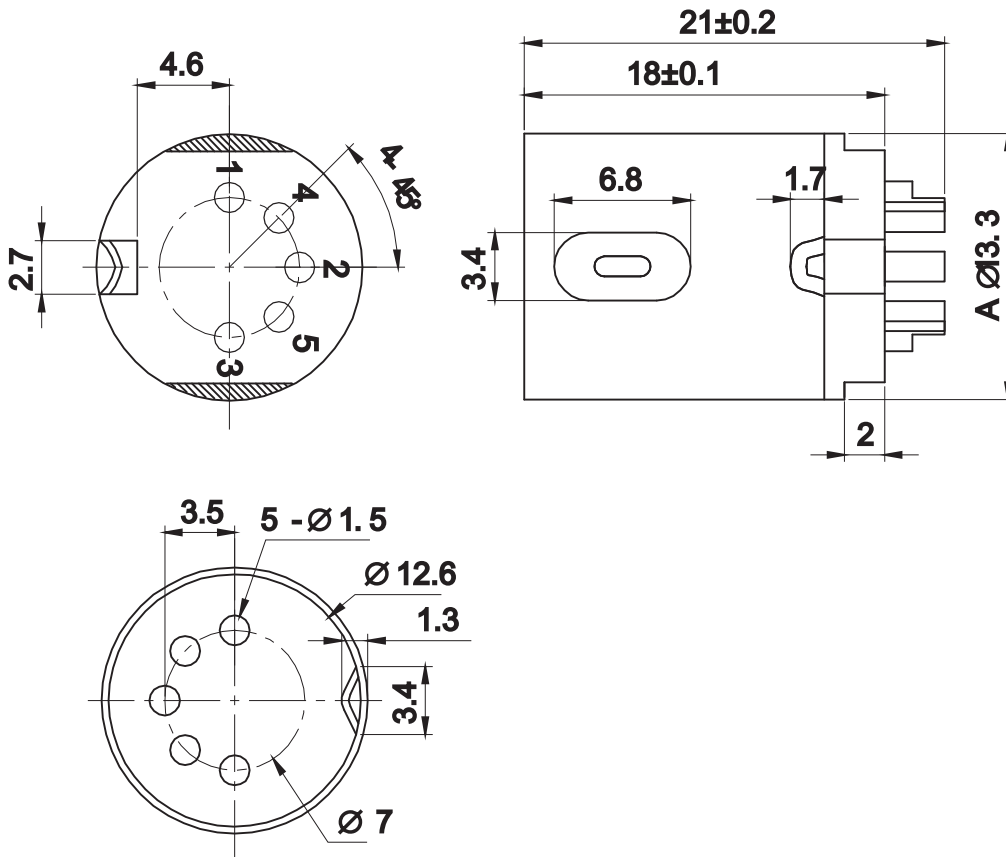
Mini Din Connectors* Din Connectors

KLS1-DSCT-5-07M DSCT Terminal Series



Technical Characteristics:

- 1 use conditions:
 - Ambient temperature: ~70 C -25 C
 - Relative humidity: 95% (40 degrees C)
- 2 rated load: AC2A 100V
- 3. Contact resistance: 3 30m ohm
- 4. Insulation resistance: 4 100M ohm
- 5 pressure: AC 500V (50Hz) 1min
- 6 insertion force: 10-50N
- 7 life: 5000 times



ORDER INFORMATION

Product NO.: KLS1-DSCT-5-07M



Connector

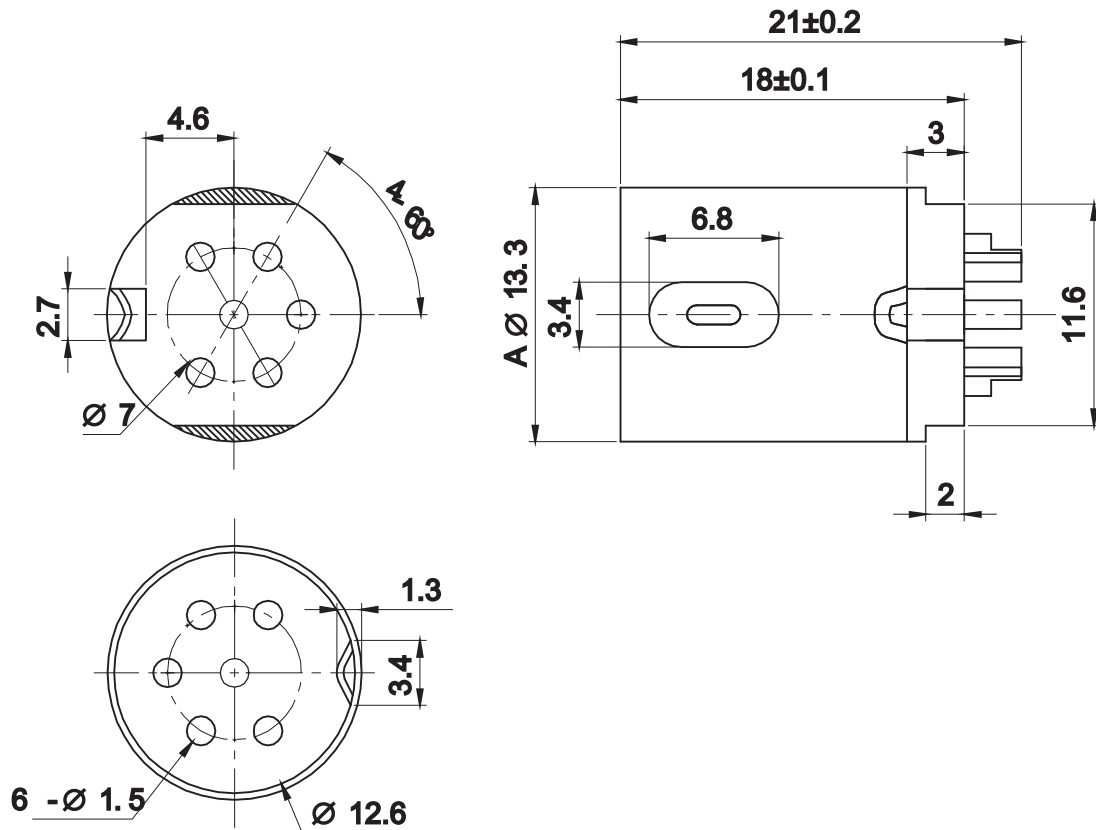
Mini Din Connectors*Din Connectors

KLS1-DSCT-6-07M DSCT Terminal Series



Technical Characteristics:

- 1 use conditions:
 - Ambient temperature: ~70 C -25 C
 - Relative humidity: 95% (40 degrees C)
- 2 rated load: AC2A 100V
- 3.Contact resistance: 3 30m ohm
- 4.Insulation resistance: 4 100M ohm
- 5 pressure: AC 500V (50Hz) 1min
- 6 insertion force: 10-50N
- 7 life: 5000 times



ORDER INFORMATION

Product NO.: KLS1-DSCT-6-07M

Pos. NO. _____
DSCT Terminal Series _____ Pin Number:6-6P

Connector

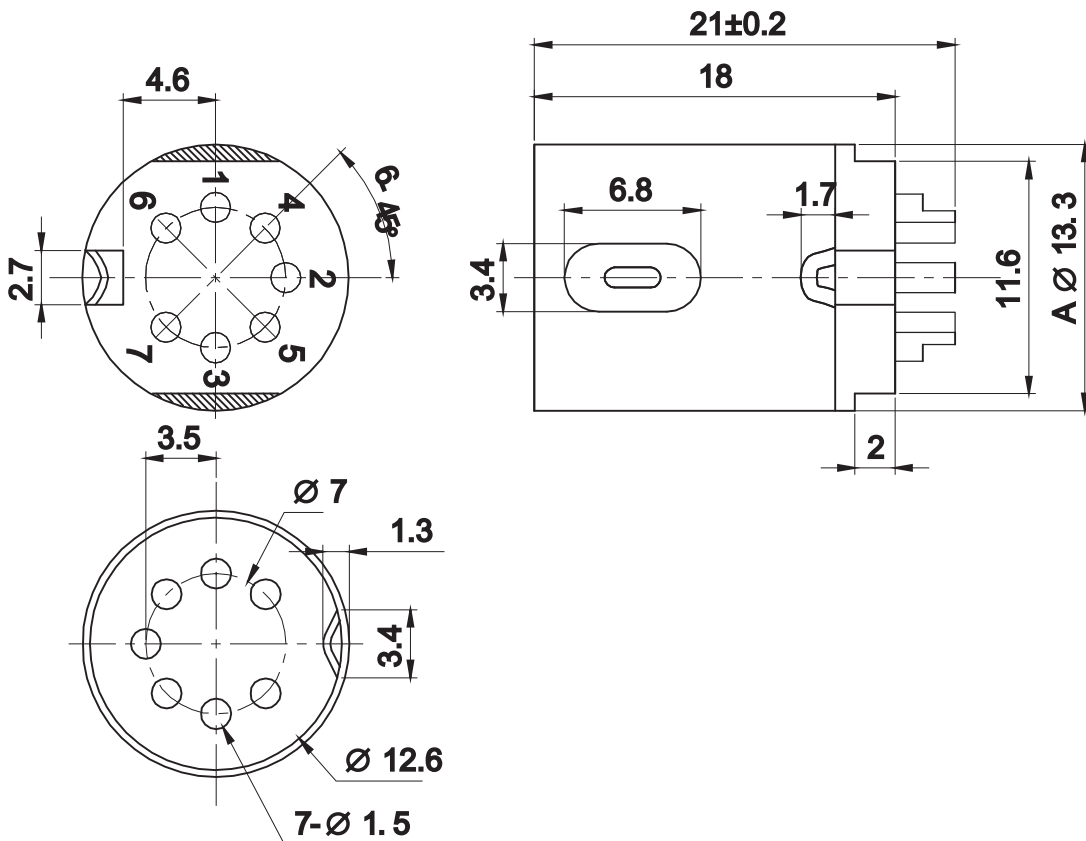
Mini Din Connectors* Din Connectors

KLS1-DSCT-7-07M DSCT Terminal Series



Technical Characteristics:

- 1 use conditions:
 - Ambient temperature: ~70 C -25 C
 - Relative humidity: 95% (40 degrees C)
- 2 rated load: AC2A 100V
- 3.Contact resistance: 3 30m ohm
- 4.Insulation resistance: 4 100M ohm
- 5 pressure: AC 500V (50Hz) 1min
- 6 insertion force: 10-50N
- 7 life: 5000 times



ORDER INFORMATION

Product NO.: KLS1-DSCT-7-07M



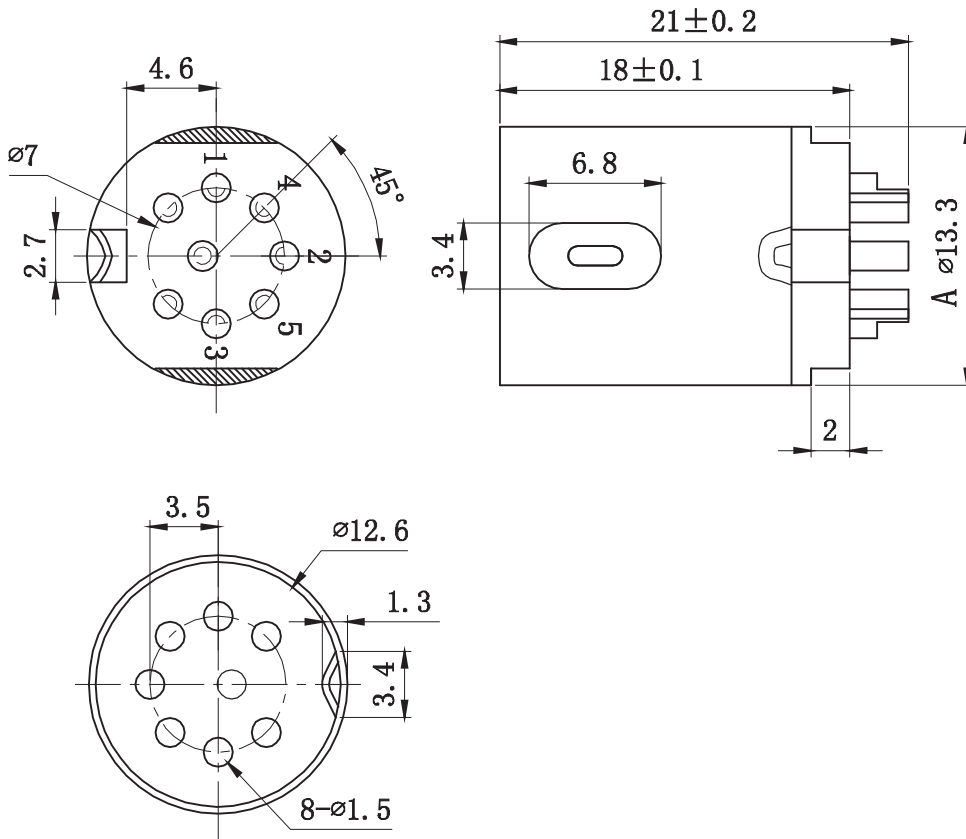
Mini Din Connectors* Din Connectors

KLS1-DSCT-8-07M DSCT Terminal Series



Technical Characteristics:

- 1 use conditions:
Ambient temperature: ~70 C -25 C
Relative humidity: 95% (40 degrees C)
- 2 rated load: AC2A 100V
- 3.Contact resistance: 3 30m ohm
- 4.Insulation resistance: 4 100M ohm
- 5 pressure: AC 500V (50Hz) 1min
- 6 insertion force: 10-50N
- 7 life: 5000 times



ORDER INFORMATION

Product NO.: KLS1-DSCT-8-07M



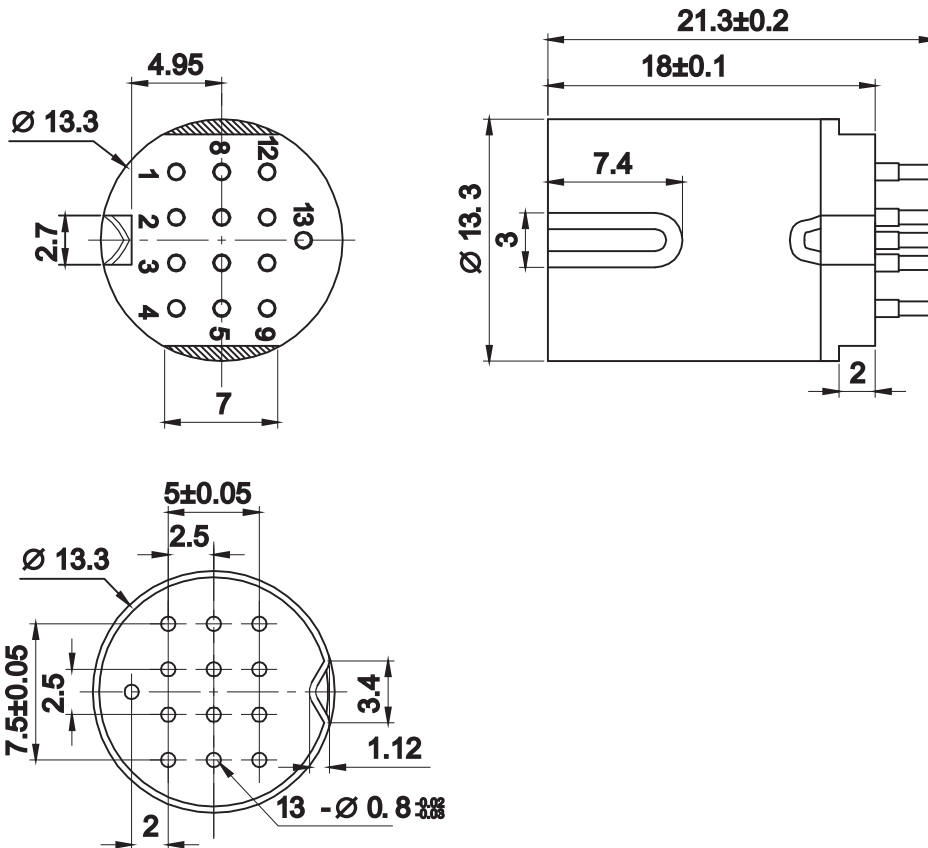
Mini Din Connectors* Din Connectors

KLS1-DSCT-13-07M DSCT Terminal Series

I

Technical Characteristics:

- 1 use conditions:
 - Ambient temperature: ~70 C -25 C
 - Relative humidity: 95% (40 degrees C)
- 2 rated load: AC2A 100V
3. Contact resistance: 3 30m ohm
4. Insulation resistance: 4 100M ohm
- 5 pressure: AC 500V (50Hz) 1min
- 6 insertion force: 10-50N
- 7 life: 5000 times



ORDER INFORMATION

Product NO.: KLS1-DSCT-13-07M

Pos. NO. _____
DSCT Terminal Series _____ Pin Number: 13-13P