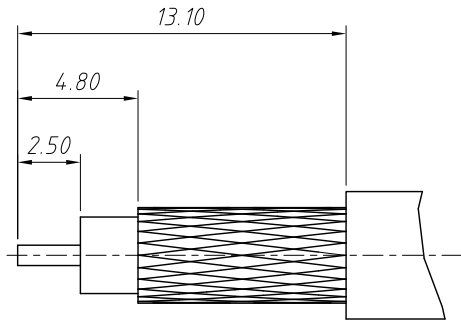
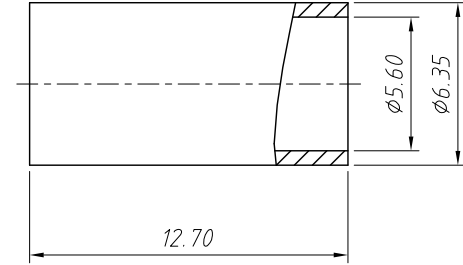
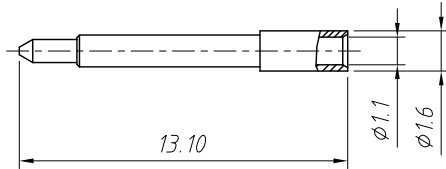
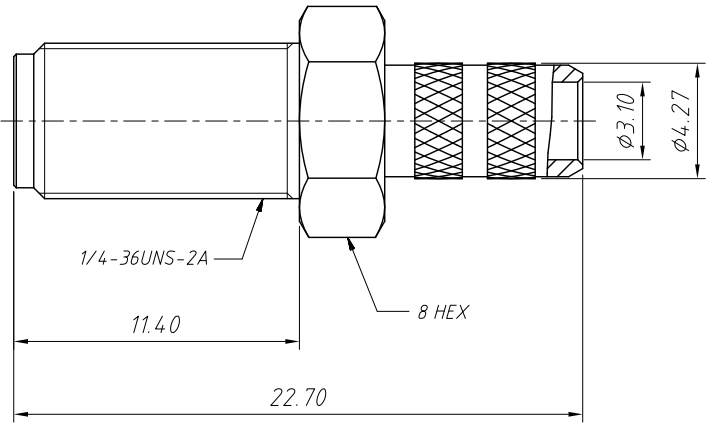


1
RoHS Compliance



Recommended Cable Stripping Dims

Material:
 Body: Brass, Gold Plating
 Contact Pin: Brass, Gold Plating
 Insulator: PTFE, Natural
 Ferrule: Brass, Gold Plating

Electrical Specifications:
 Impedance: 50 Ω

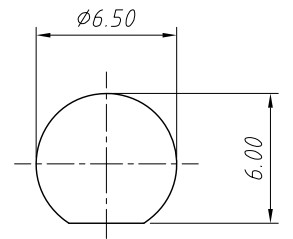
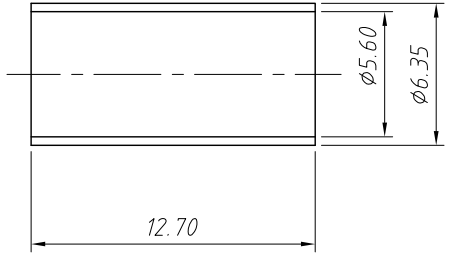
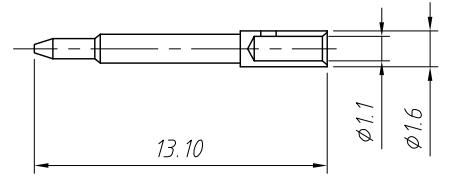
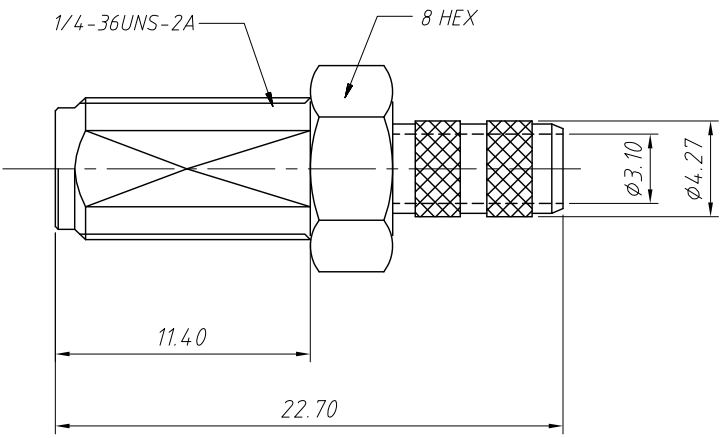
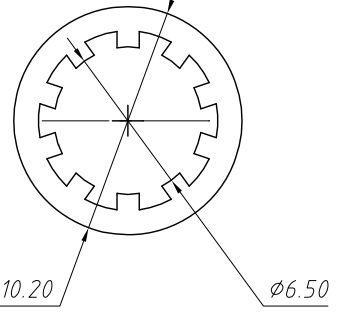
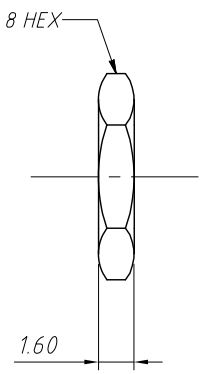
Mechanical Specifications:
 Durability: 500 Cycles Min.
 Temperature Range: -65°C to +165°C

ANGLE TOLERANCE	PROJECTION	Description:	Panel Mount SMA Cable Connector Straight (Jack, Male, 50 Ω)
$\pm 3^\circ$			
GENERAL TOLERANCE	UNITS	mm	KLS P/N: L-KLS1-SMA139A
x.x ± 0.30	SHEET SIZE	A4	
x.xx ± 0.20	Draw:	Daniel	2020-11-11
x.xxx ± 0.10	Check:	Daniel	2020-11-11

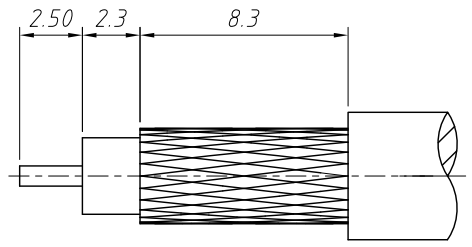


NingBo KLS ELECTRONIC CO.,L TD.

1
RoHS Compliance



Recommended Mounting Hole



Recommended Cable Stripping Dims

Material:
 Body: Brass, Gold Plating
 Contact Pin: Brass, Gold Plating
 Insulator: Teflon, Natural
 Ferrule: Copper, Gold Plating
 Lock Washer: Brass, Gold Plating
 HEX Nut: Brass, Gold Plating

Electrical Specifications:
 Impedance: 50Ω

Mechanical Specifications:
 Durability: 500 Cycles Min.
 Temperature Range: -65°C to +165°C

ANGLE TOLERANCE	PROJECTION	Description:	Panel Mount SMA Cable Connector Straight (Jack, Male, 50Ω)
±3°			
GENERAL TOLERANCE	UNITS	mm	KLS P/N: L-KLS1-SMA139B
x.x ±0.30	SHEET SIZE	A4	NingBo KLS ELECTRONIC CO.,L TD.
x.xx ±0.20	Draw:	Daniel 2020-11-11	
x.xxx ±0.10	Check:	Daniel 2020-11-11	