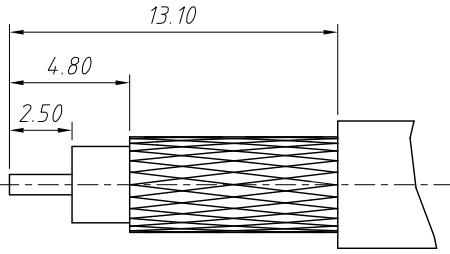
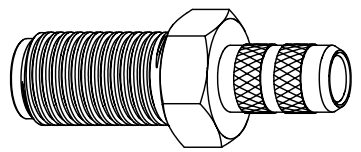
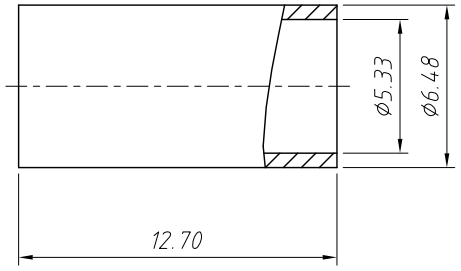
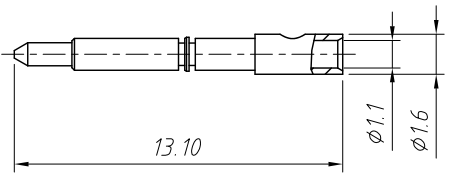
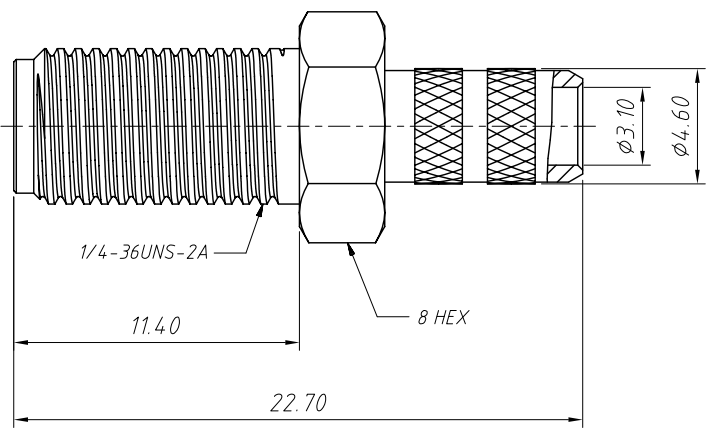


1
RoHS Compliance



Recommended Cable Stripping Dims

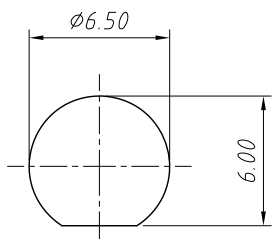
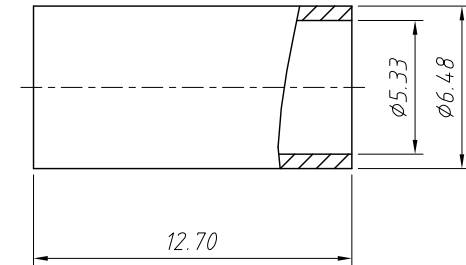
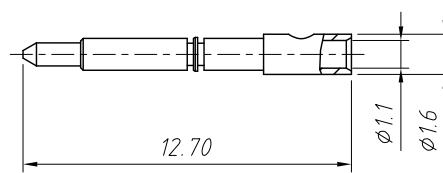
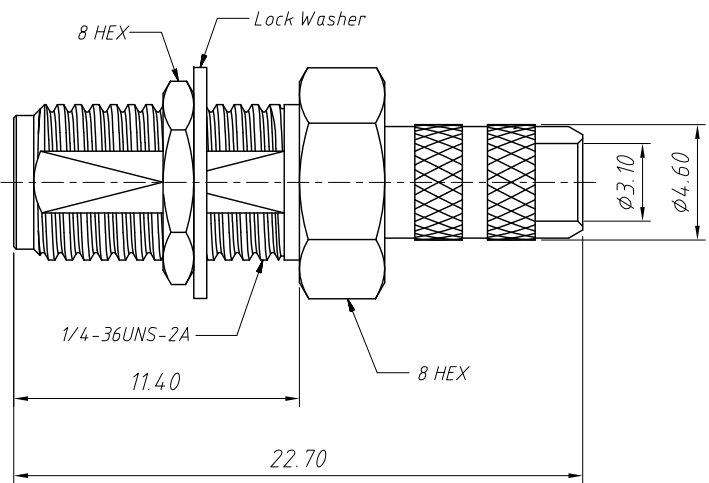
Material:
 Body: Brass, Gold Plating
 Contact Pin: Brass, Gold Plating
 Insulator: PTFE, Natural

Electrical Specifications:
 Impedance: 50Ω
 Frequency Range: DC 0-12.4 GHz
 VSWR : 1.3 Max.
 Dielectric Withstanding Voltage: 1000 VRMS.Min.

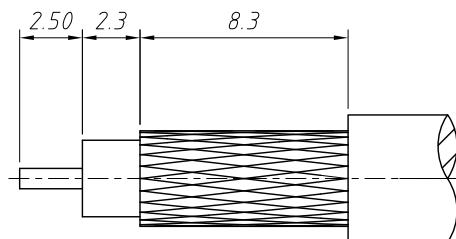
Mechanical Specifications:
 Durability: 500 Cycles Min.
 Temperature Range: -65°C to +165°C

ANGLE TOLERANCE	PROJECTION	Description:	Panel Mount SMA Cable Connector Straight (Jack, Male, 50Ω)	
±3°				
GENERAL TOLERANCE	UNITS	mm	KLS P/N: L-KLS1-SMA138A	
x.x ±0.30	SHEET SIZE	A4	NingBo KLS ELECTRONIC CO.,L TD.	
x.xx ±0.20	Draw:	Daniel		2020-11-11
x.xxx ±0.10	Check:	Daniel		2020-11-11

1
RoHS Compliance



Recommended Mounting Hole



Recommended Cable Stripping Dims

Material:

- Body: Brass, Gold Plating
- Contact Pin: Ber. Copper, Gold Plating
- Insulator: Teflon, Natural
- Ferrule: Copper, Gold Plating
- Lock Washer: Brass, Gold Plating
- HEX Nut: Brass, Gold Plating

Electrical Specifications:

- Impedance: 50 Ω
- Frequency Range: DC 0-12.4 GHz
- VSWR :1.3 Max.
- Dielectric Withstanding Voltage: 1000 VRMS.Min.

Mechanical Specifications:

- Durability: 500 Cycles Min.
- Temperature Range: -65 $^{\circ}$ C to +165 $^{\circ}$ C

ANGLE TOLERANCE	PROJECTION	Description:	Panel Mount SMA Cable Connector Straight (Jack, Male, 50 Ω)
$\pm 3^{\circ}$			
GENERAL TOLERANCE	UNITS	mm	KLS P/N: L-KLS1-SMA138B
x.x ± 0.30	SHEET SIZE	A4	
x.xx ± 0.20	Draw:	Daniel	2020-11-11
x.xxx ± 0.10	Check:	Daniel	2020-11-11



NingBo KLS ELECTRONIC CO.,L TD.