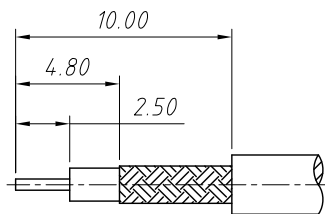
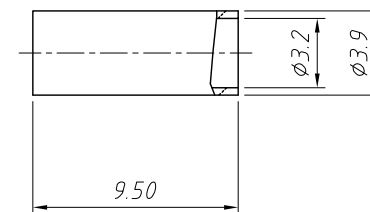
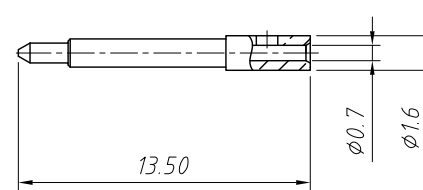
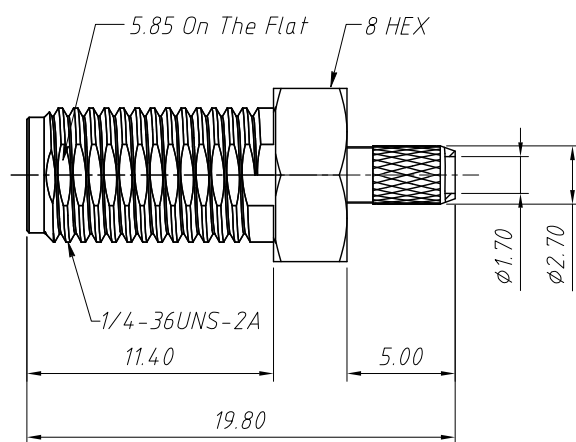
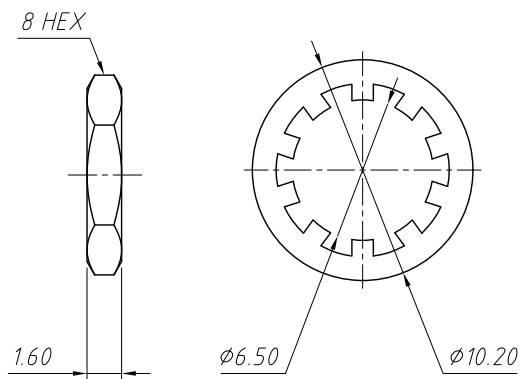
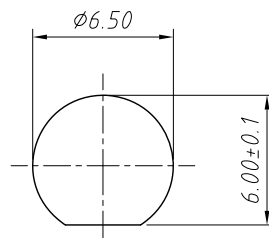


1
RoHS Compliance



Recommended Cable Stripping Dims



Recommended Mounting Hole

Material:

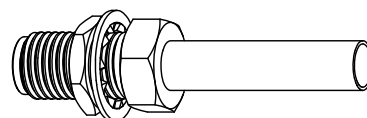
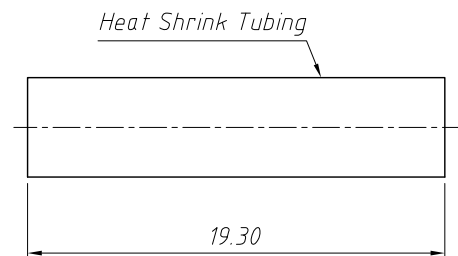
- Body: Brass, Gold Plating
- Contact Pin: Brass, Gold Plating
- Insulator: PTFE, Natural
- Lock Washer: Brass, Gold Plating
- Hex Nut: Brass, Gold Plating
- Ferrule: Brass, Gold Plating
- Heat Shrink Tubing: Black

Electrical Specifications:

- Impedance: 50Ω
- Frequency Range: DC 0-12.4 GHz
- VSWR : 1.3 Max.
- Dielectric Withstanding Voltage: 1000 VRMS.Min.

Mechanical Specifications:

- Durability: 500 Cycles Min.
- Temperature Range: -65°C to +165°C
- Max . Panel Thickness=3.2mm

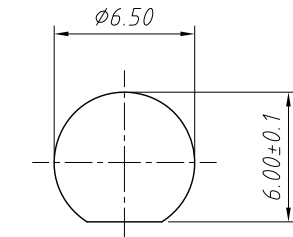
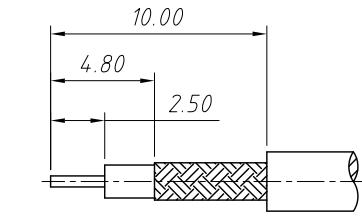
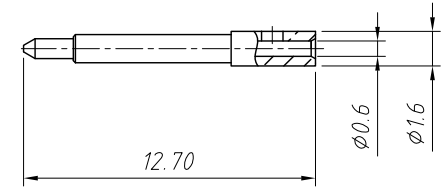
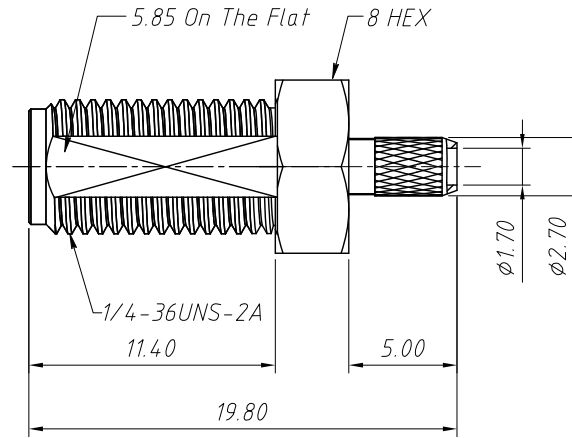
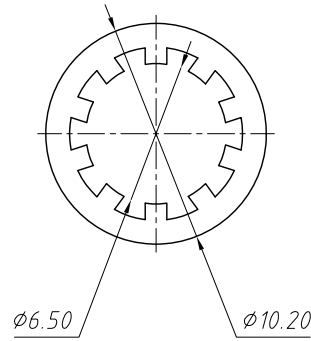
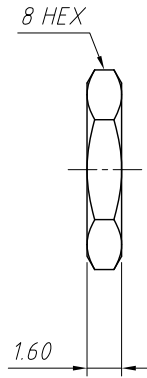


ANGLE TOLERANCE	PROJECTION	Description:	Panel Mount SMA Cable Connector Straight (Jack, Male, 50Ω)
±3°			
GENERAL TOLERANCE	UNITS	mm	KLS P/N: L-KLS1-SMA137B
x.x ±0.30	SHEET SIZE	A4	
x.xx ±0.20	Draw:	Daniel	2020-11-11
x.xxx ±0.10	Check:	Daniel	2020-11-11



NingBo KLS ELECTRONIC CO.,L TD.

1
RoHS Compliance



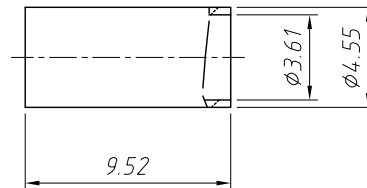
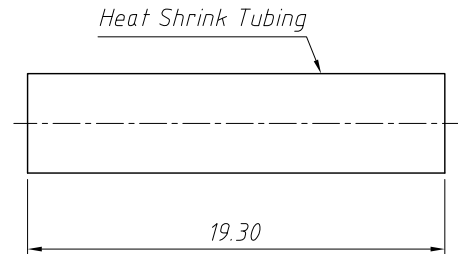
Recommended Cable Stripping Dims

Recommended Mounting Hole

Material:
 Body:Brass,Gold Plating
 Contact Pin:Brass,Gold Plating
 Insulator:PTFE,Natural
 Lock Washer:Brass,Gold Plating
 Hex Nut:Brass,Gold Plating
 Ferrule:Copper,Gold Plating
 Heat Shrink Tubing:Black

Electrical Specifications:
 Impedance:50Ω
 Frequency Range:DC 0-12.4 GHz
 VSWR :1.3 Max.
 Dielectric Withstanding Voltage:1000 VRMS.Min.

Mechanical Specifications:
 Durability:500 Cycles Min.
 Temperature Range: -65°C to +165°C
 Max . Panel Thickness=3.2mm



ANGLE TOLERANCE	PROJECTION	Description:	Panel Mount SMA Cable Connector Straight (Jack, Male, 50Ω)
±3°			
GENERAL TOLERANCE	UNITS	mm	KLS P/N: L-KLS1-SMA137C
x.x ±0.30	SHEET SIZE	A4	
x.xx ±0.20	Draw:	Daniel	2020-11-11
x.xxx ±0.10	Check:	Daniel	2020-11-11



NingBo KLS ELECTRONIC CO.,L TD.