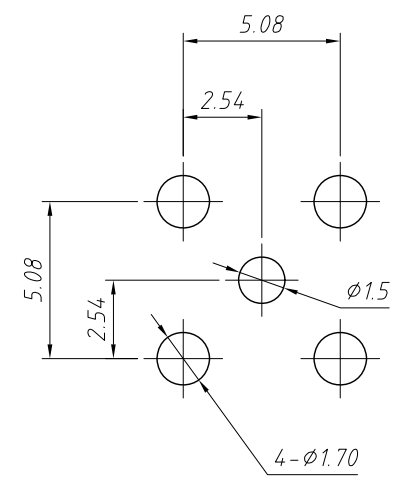
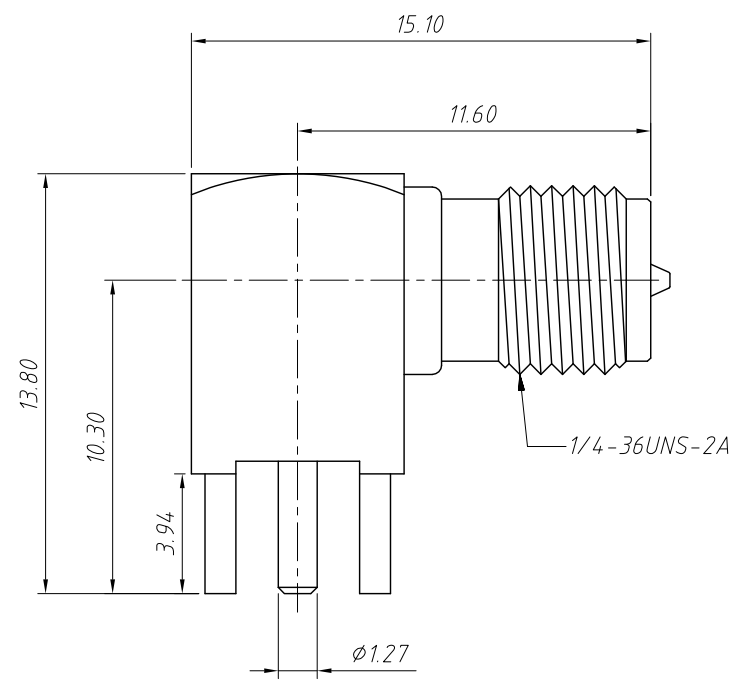
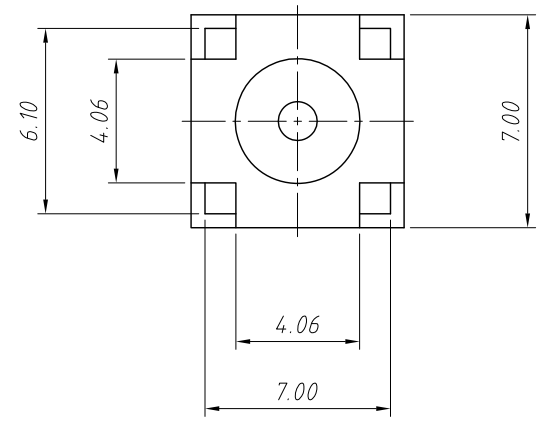


1
RoHS Compliance



PCB Mounting Hole



Material:
 Body: Brass, Gold Plating
 Contact: Brass, Gold Plating
 Insulator: Teflon, Natural

Electrical Specifications:
 Impedance: 50Ω

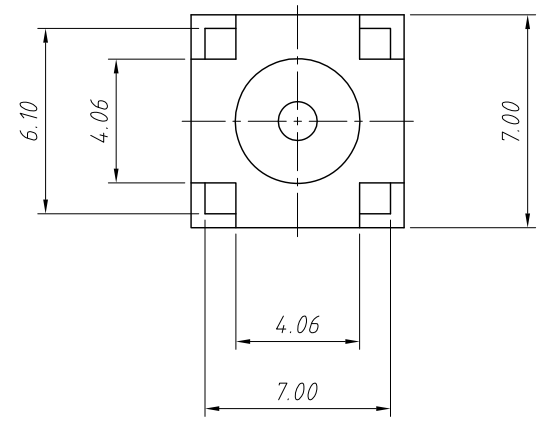
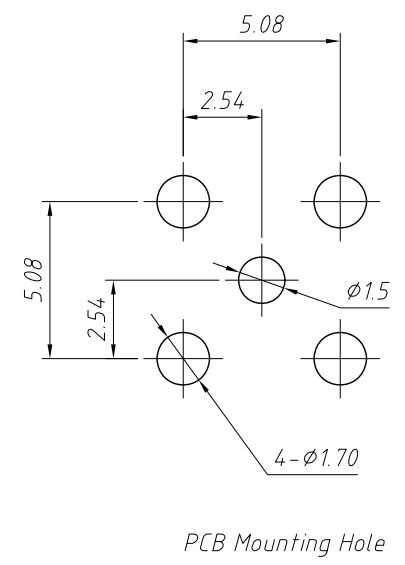
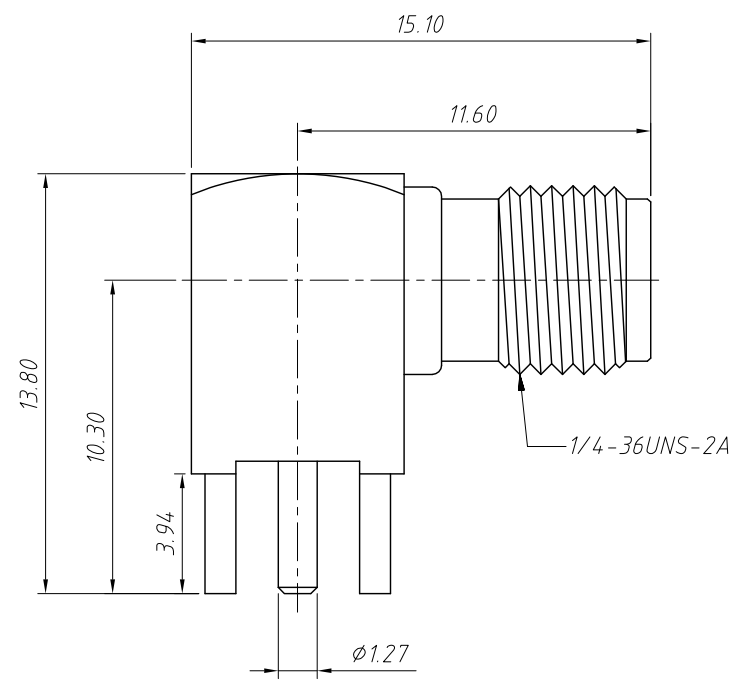
Mechanical Specifications:
 Durability: 500 Cycles Min.
 Temperature Range: -65°C to +165°C

ANGLE TOLERANCE	PROJECTION	Description:	PCB Mount SMA Connector Right Angle (Jack, Male, 50Ω)
±3°			
GENERAL TOLERANCE	UNITS	mm	KLS P/N: L-KLS1-SMA132B
x.x ±0.30	SHEET SIZE	A4	
x.xx ±0.20	Draw:	Daniel	2020-11-11
x.xxx ±0.10	Check:	Daniel	2020-11-11



NingBo KLS ELECTRONIC CO.,L TD.

1
RoHS Compliance



Material:
 Body: Brass, Gold Plating
 Contact: Brass, Gold Plating
 Insulator: Teflon, Natural

Electrical Specifications:
 Impedance: 50Ω

Mechanical Specifications:
 Durability: 500 Cycles Min.
 Temperature Range: -65°C to +165°C

ANGLE TOLERANCE	PROJECTION	Description:	PCB Mount SMA Connector Right Angle (Jack, Female, 50Ω)
±3°			
GENERAL TOLERANCE	UNITS	mm	KLS P/N: L-KLS1-SMA132
x.x ±0.30	SHEET SIZE	A4	
x.xx ±0.20	Draw:	Daniel	2020-11-11
x.xxx ±0.10	Check:	Daniel	2020-11-11

