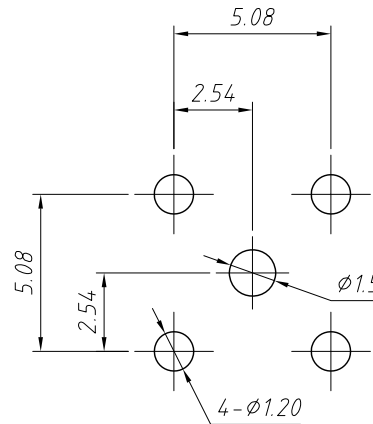
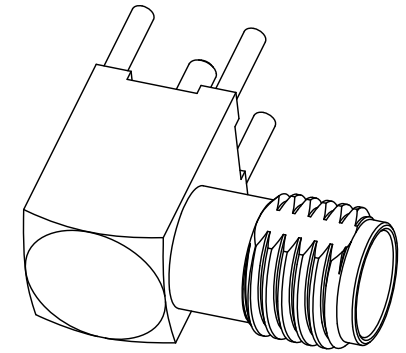
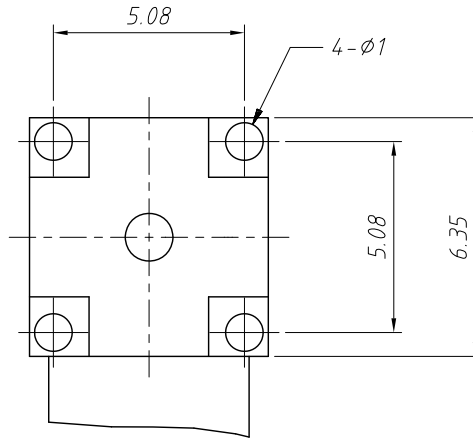
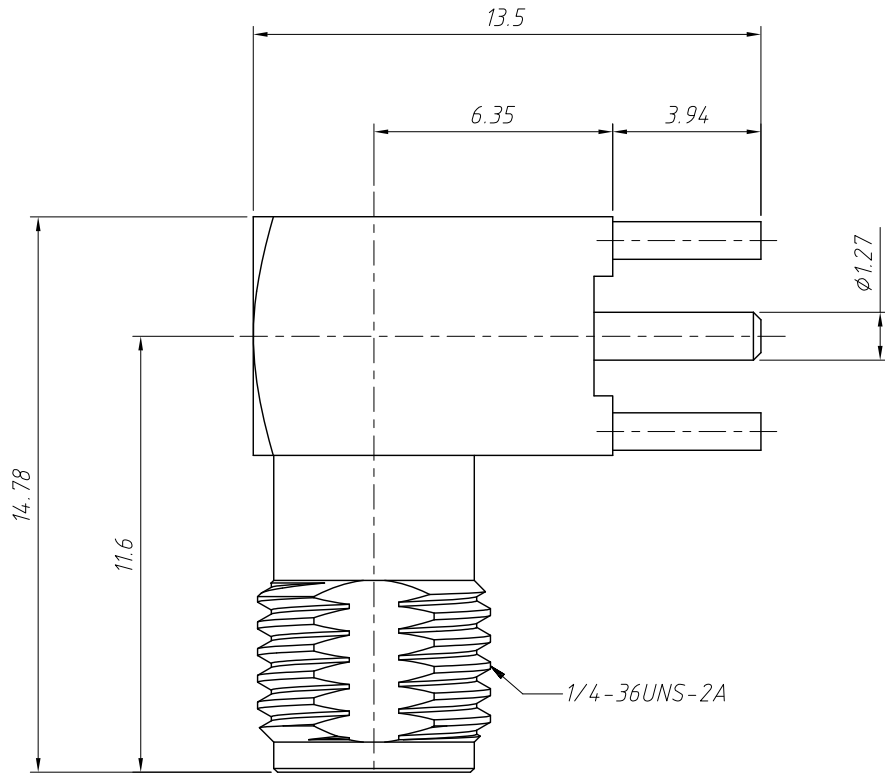


1 RoHS Compliance



PCB Mounting Hole

Material:

Body: Zinc Alloy, Gold Plating

Contact: Ber. Copper, Gold Plating

Insulator: PTFE, Natural

Electrical Specifications:

Impedance: 50Ω

Frequency Range: DC 0-11 GHz

VSWR: 1.3 Max.

Dielectric Withstanding Voltage: 1000 VRMS, Min..

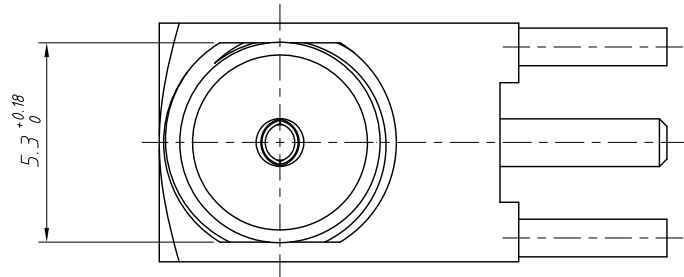
Mechanical Specifications:

Durability: 500 Cycles Min.

Temperature Range: -65°C to +165°C

Recommended Torque Method: Hand Torque Only

Quantity: Single Pack



ANGLE TOLERANCE	PROJECTION	Description:	PCB Mount SMA Connector Right Angle (Jack, Female, 50Ω)	
±3°				
GENERAL TOLERANCE	UNITS	mm	KLS P/N: L-KLS1-SMA035	
x.x ±0.30	SHEET SIZE	A4	NingBo KLS ELECTRONIC CO.,L TD.	
x.xx ±0.20	Draw:	Daniel		2020-11-11
x.xxx ±0.10	Check:	Daniel		2020-11-11