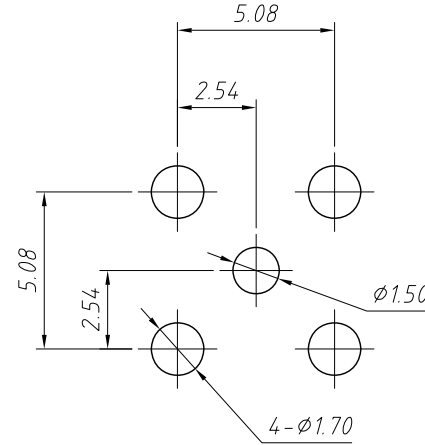
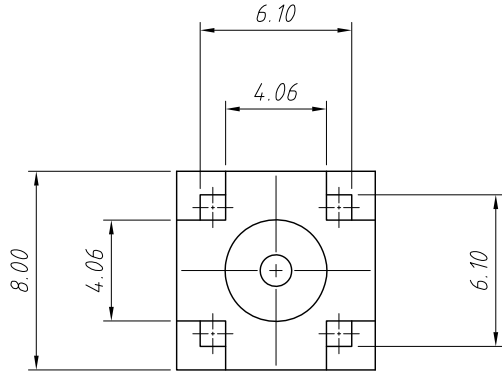
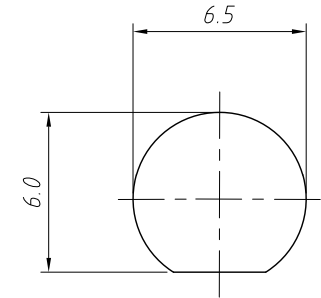


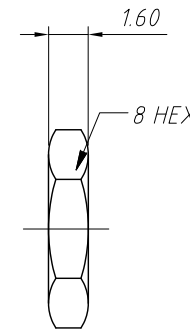
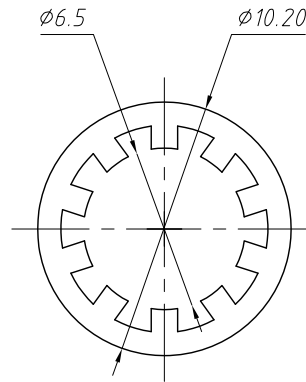
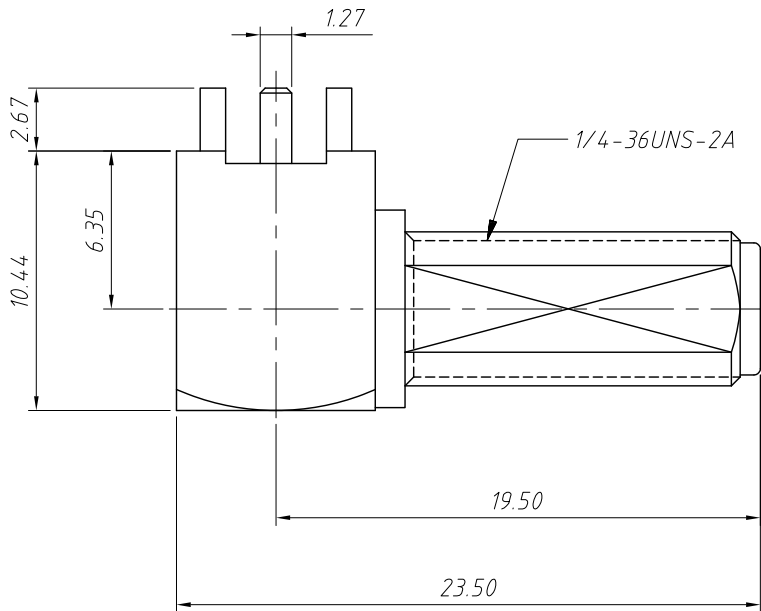
RoHS Compliance



Recommended PCB Mounting Holes



Recommended Mounting Hole Dim's



Material:
 Housing/Body: Brass, Gold Plating
 Contact: Ber. Copper, Gold Plating
 Insulator: PTFE, Natural
 Lock Washer: Brass, Gold Plating
 HEX Nut: Brass, Gold Plating

Electrical Specifications:
 Impedance: 50Ω

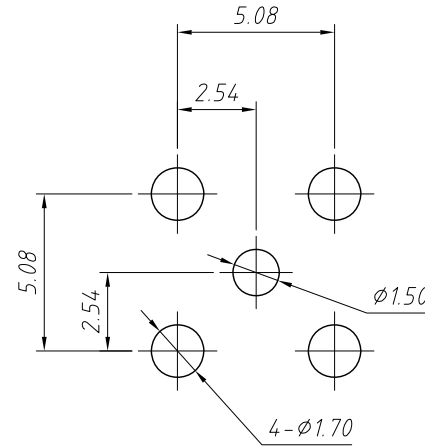
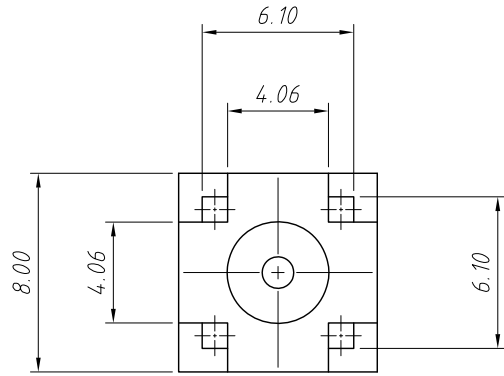
Mechanical Specifications:
 Durability: 500 Cycles Min.
 Temperature Range: -65°C to +165°C

ANGLE TOLERANCE	PROJECTION	Description:	PCB Mount SMA Connector Right Angle (Jack, Female, 50Ω)
±3°			
GENERAL TOLERANCE	UNITS	mm	KLS P/N: L-KLS1-SMA006C-L2.67
x.x ±0.30	SHEET SIZE	A4	
x.xx ±0.20	Draw:	Daniel	2020-11-11
x.xxx ±0.10	Check:	Daniel	2020-11-11

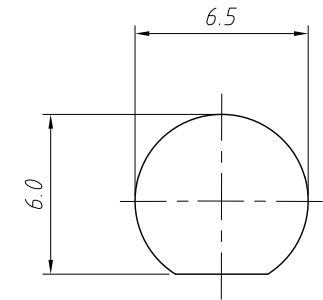


NingBo KLS ELECTRONIC CO., L TD.

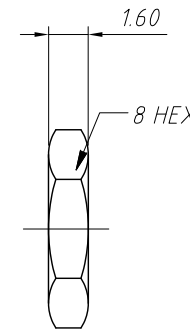
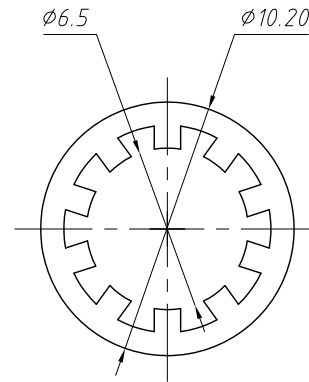
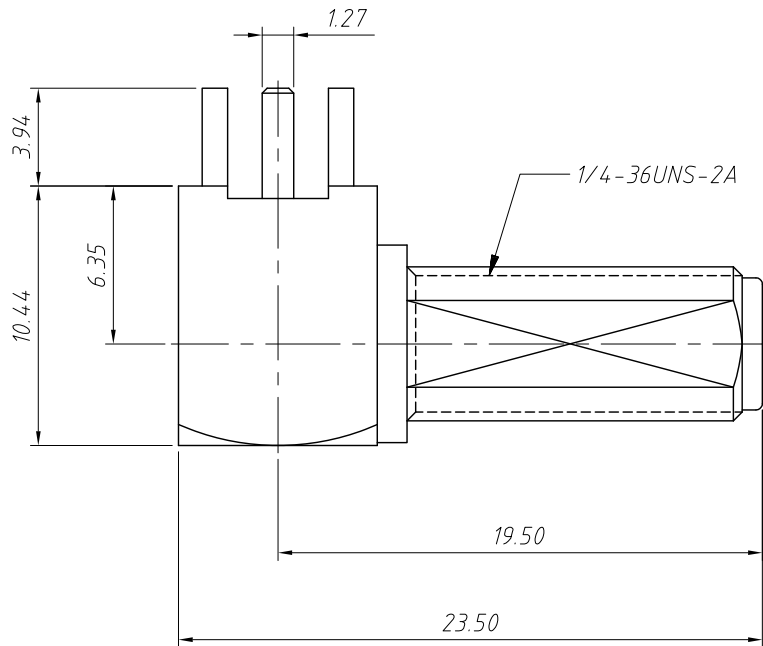
1 RoHS Compliance



Recommended PCB Mounting Holes



Recommended Mounting Hole Dim's



Material:
 Housing/Body: Brass, Gold Plating
 Contact: Ber. Copper, Gold Plating
 Insulator: PTFE, Natural
 Lock Washer: Brass, Gold Plating
 HEX Nut: Brass, Gold Plating

Electrical Specifications:
 Impedance: 50Ω

Mechanical Specifications:
 Durability: 500 Cycles Min.
 Temperature Range: -65°C to +165°C

ANGLE TOLERANCE	PROJECTION	Description:	PCB Mount SMA Connector Right Angle (Jack, Female, 50Ω)
±3°			
GENERAL TOLERANCE	UNITS	mm	KLS P/N: L-KLS1-SMA006C-L3.94
x.x ±0.30	SHEET SIZE	A4	
x.xx ±0.20	Draw:	Daniel	2020-11-11
x.xxx ±0.10	Check:	Daniel	2020-11-11



NingBo KLS ELECTRONIC CO., L TD.