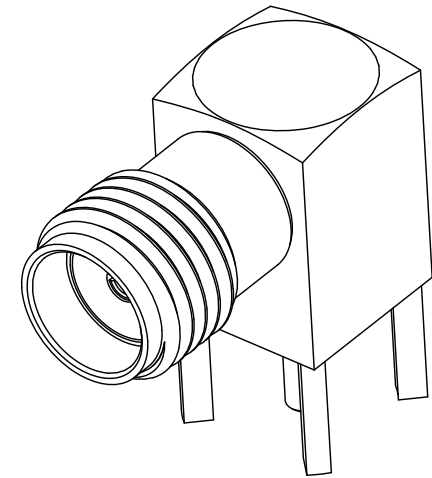
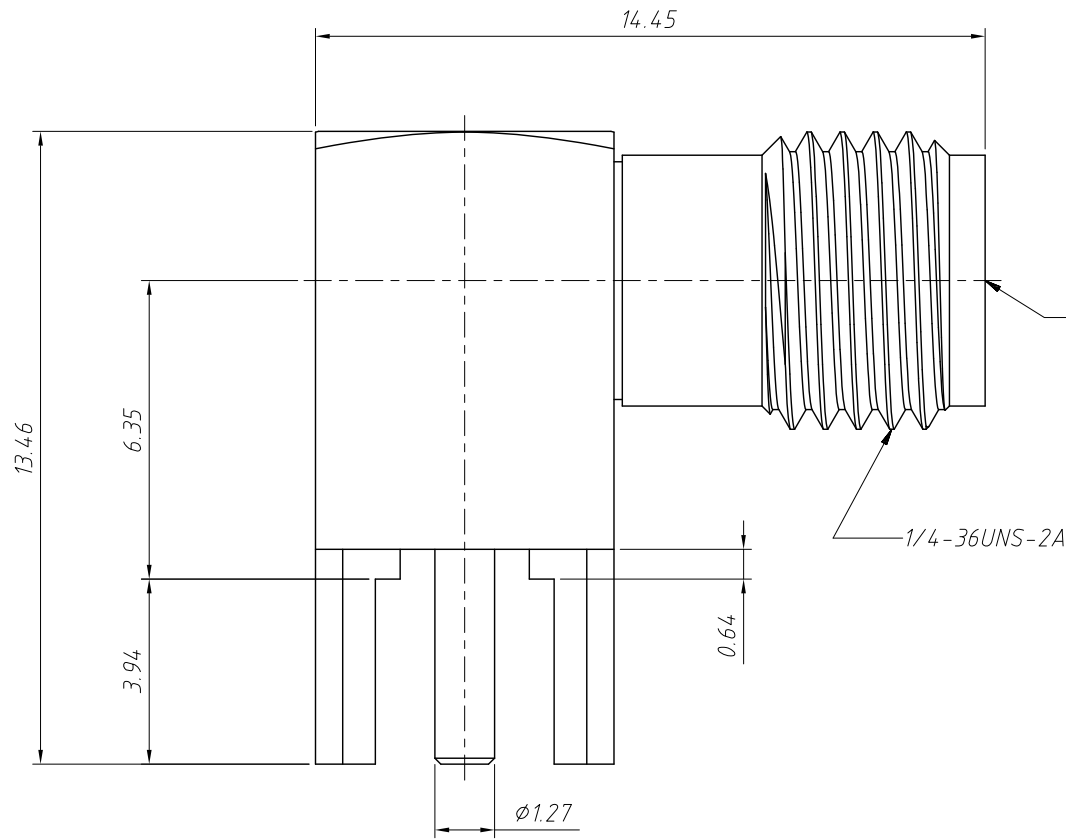
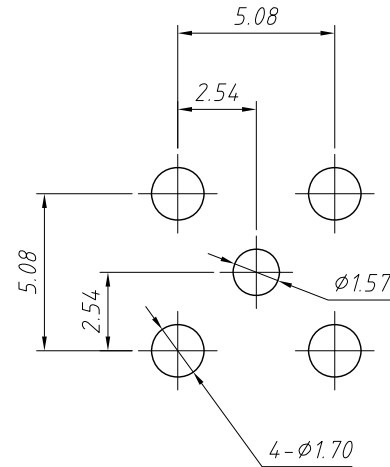


1 RoHS Compliance



Interface PER  
SMA Series

1/4-36UNS-2A

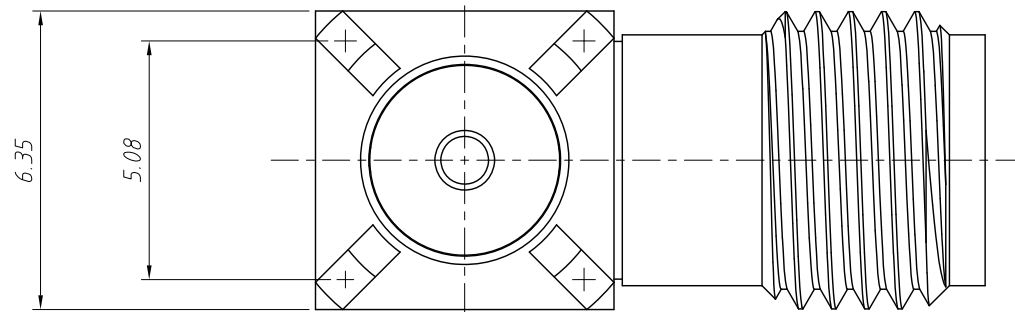


PCB Mounting Hole

**Material:**  
Body:Stainless Steel,Gold Plating  
Contact:Ber.Copper,Gold Plating  
Insulator:PTFE,Natural

**Electrical Specifications:**  
Impedance:50Ω

**Mechanical Specifications:**  
Durability:500Cycles Min.  
Temperature Range: -65°C to +165°C  
Quantity:Single Pack  
Marking:Bag To BE Marked



ANGLE TOLERANCE	PROJECTION	Description:	PCB Mount SMA Connector Right Angle (Jack,Female,50Ω)
±3°			
GENERAL TOLERANCE	UNITS	mm	KLS P/N: L-KLS1-SMA033
x.x ±0.30	SHEET SIZE	A4	
x.xx ±0.20	Draw:	Daniel	2020-11-11
x.xxx ±0.10	Check:	Daniel	2020-11-11



NingBo KLS ELECTRONIC CO.,L TD.