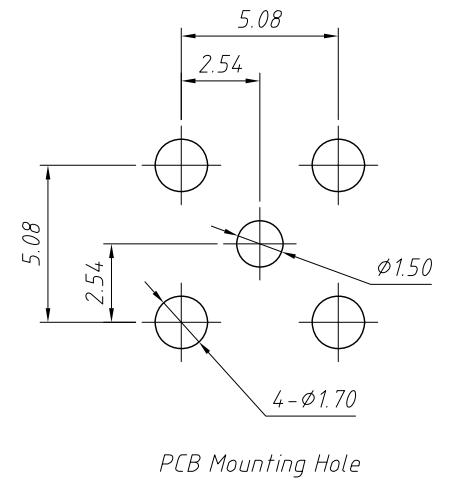
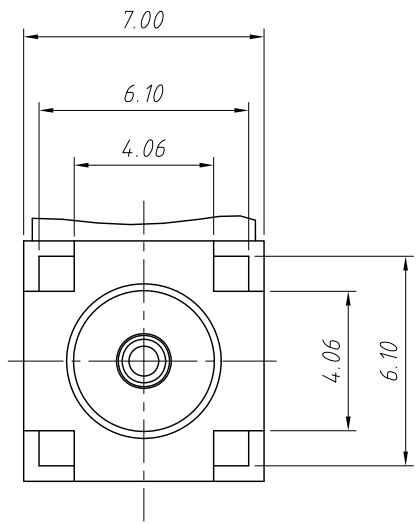
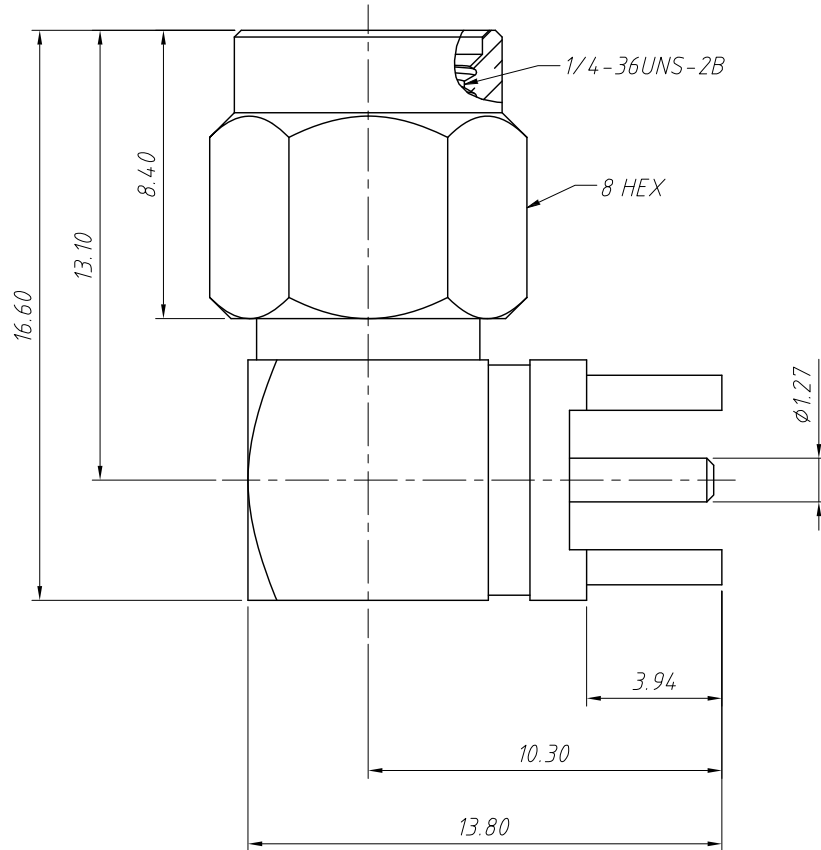


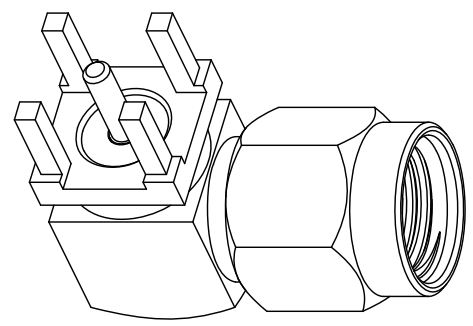
1
RoHS Compliance



Material:
 Housing With Body: Brass, Gold Plating
 Contact Pin: Ber. Copper, Gold Plating
 Insulator: PTFE, Natural
 Retainer Ring: PTFE, Natural
 Gasket: Silicon Rubber, Rde
 Shell: Brass, Gold Plating
 Cover: Brass, Gold Plating

Electrical Specifications:
 Impedance: 50Ω
 Frequency Range: DC 0-18 GHz
 Dielectric Withstanding Voltage: 1000 VRMS, Min

Mechanical Specifications:
 Durability: 500 Cycles Min.
 Temperature Range: -65°C to +165°C



ANGLE TOLERANCE	PROJECTION	Description:	PCB Mount SMA Connector Right Angle (Plug, Female, 50Ω)
±3°			
GENERAL TOLERANCE	UNITS	mm	KLS P/N: L-KLS1-SMA015B
x.x ±0.30	SHEET SIZE	A4	
x.xx ±0.20	Draw:	Daniel	2020-11-11
x.xxx ±0.10	Check:	Daniel	2020-11-11

