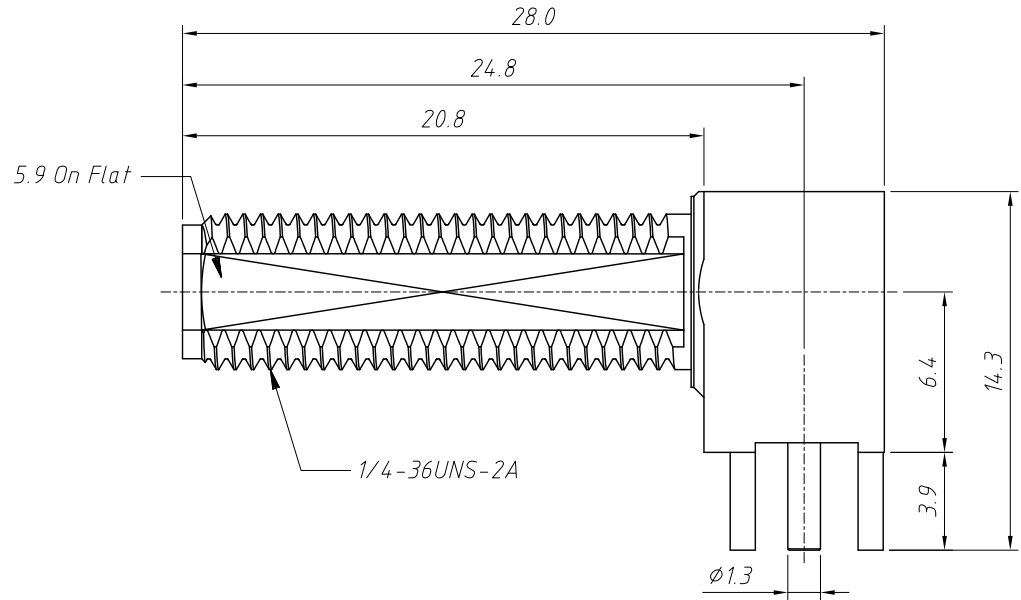
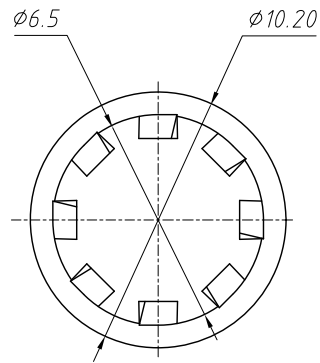
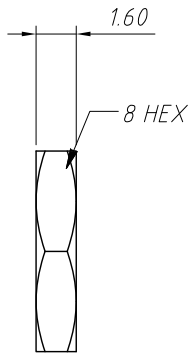


1 RoHS Compliance



Material:

Body: Brass, Gold Plating
 Contact: Ber. Copper, Gold Plating
 Insulator: PTFE, Natural
 Lock Washer: Brass, Gold Plating
 HEX Nut: Brass, Gold Plating

Electrical Specifications:

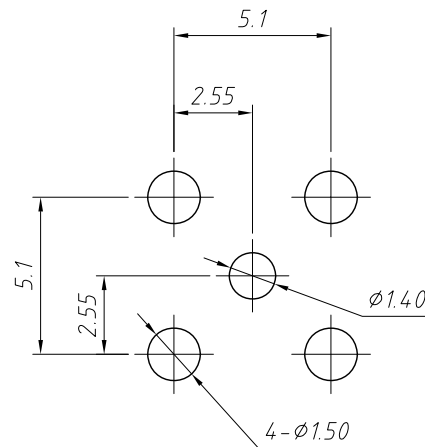
Impedance: 50Ω
 Frequency Range: DC - 12.4 GHz
 Dielectric Withstanding Voltage: 500 vrms Min.

Mechanical Specifications:

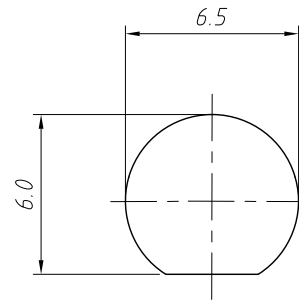
Durability: 500 Cycles Min.
 Temperature Range: -65°C to +165°C

Notes:

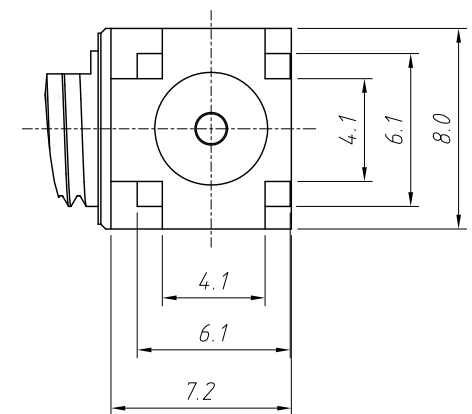
Max. Panel Thickness: 4.2 mm



Recommended PCB Mounting Holes



Recommended Mounting Hole Dim's



ANGLE TOLERANCE	PROJECTION	Description:	PCB Mount SMA Connector Right Angle (Jack, Female, 50Ω)	
±3°				
GENERAL TOLERANCE	UNITS	mm	KLS P/N:	L-KLS1-SMA006D
x.x ±0.30	SHEET SIZE	A4		
x.xx ±0.20	Draw:	Daniel	2020-11-11	NingBo KLS ELECTRONIC CO.,L TD.
x.xxx ±0.10	Check:	Daniel	2020-11-11	