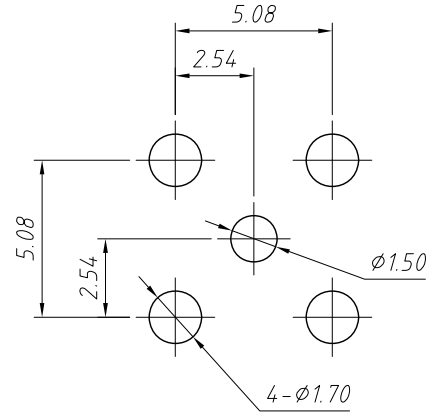
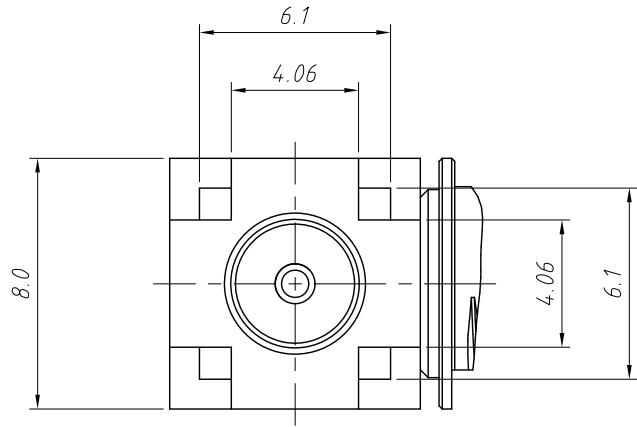
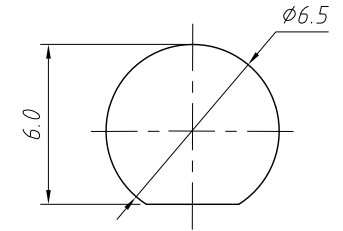
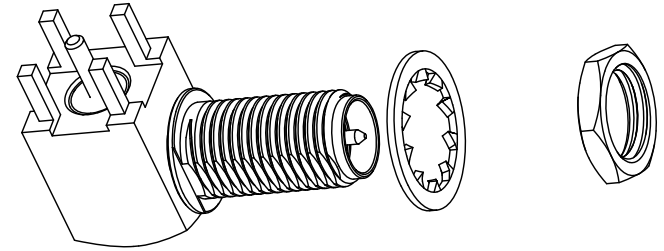


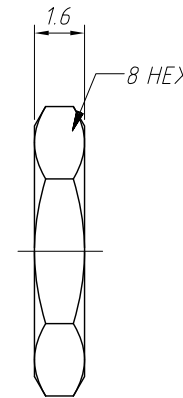
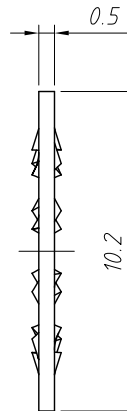
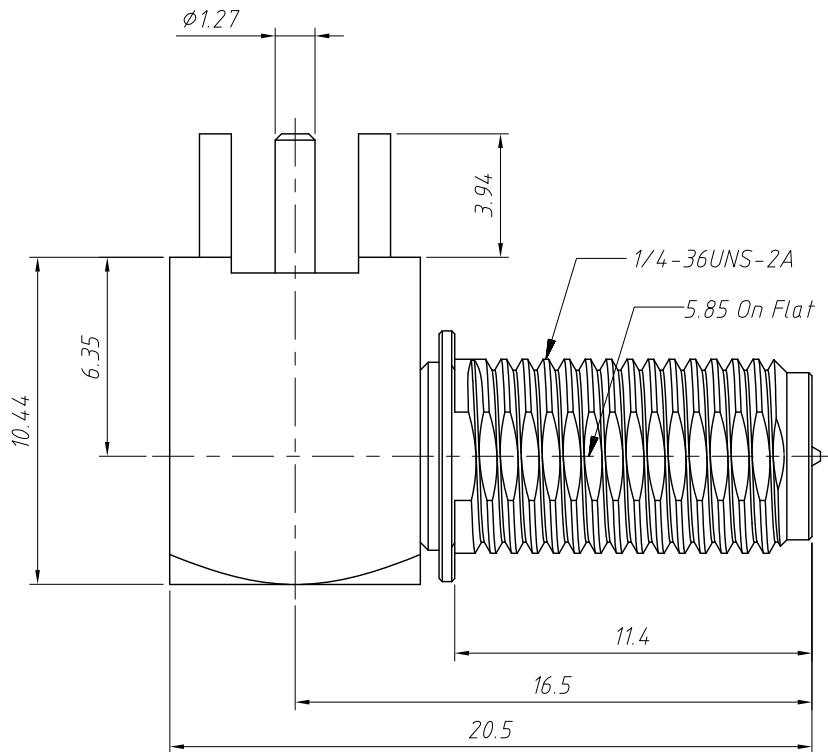
RoHS Compliance



Recommended
PCB Mounting Holes



Recommended
Mounting Hole Dim's



Material:
Body:Brass,Gold Plating
Contact:Brass,Gold Plating
Insulator:PTFE,Natural

Electrical Specifications:
Impedance:50Ω
Frequency Range:DC 0-12.4 GHz
D.W. V:1000 VRMS,Min

Mechanical Specifications:
Durability:500Cycles Min.
Temperature Range: -65°C to +165°C
Max. Panel Thickness 2.4mm

ANGLE TOLERANCE	PROJECTION	Description:	PCB Mount SMA Connector Right Angle (Jack,Female,50Ω)
±3°			
GENERAL TOLERANCE	UNITS	mm	KLS P/N: L-KLS1-SMA006BB
x.x ±0.30	SHEET SIZE	A4	
x.xx ±0.20	Draw:	Daniel	2020-11-11
x.xxx ±0.10	Check:	Daniel	2020-11-11



NingBo KLS ELECTRONIC CO.,LTD.