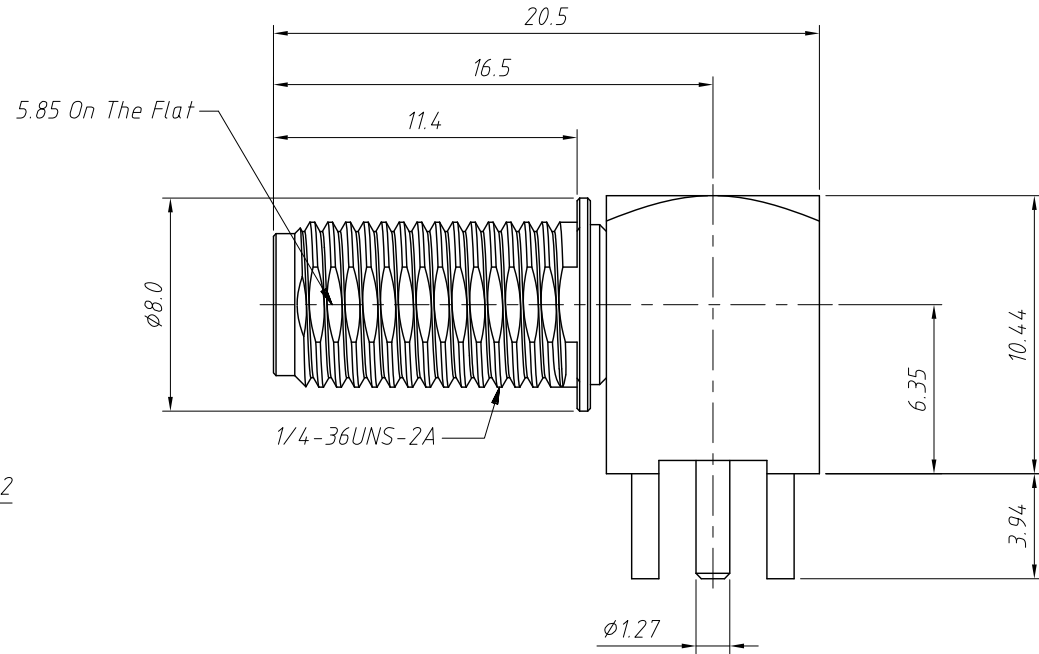
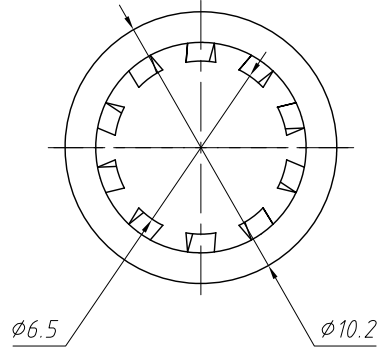
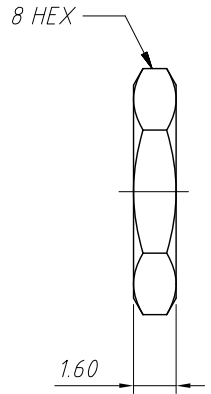


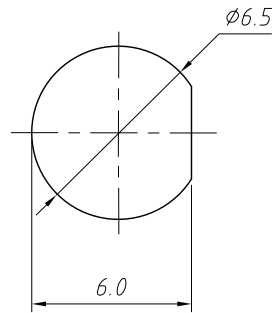
1 RoHS Compliance



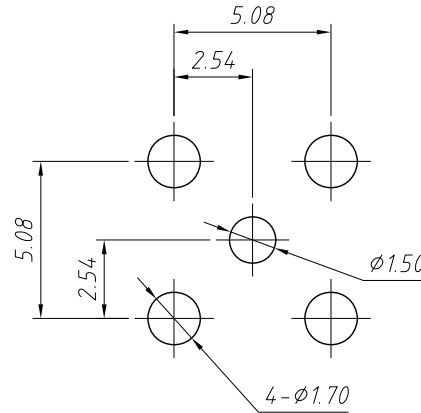
Material:
 Body: Brass, Gold Plating
 Housing: Brass, Gold Plating
 Contact Pin: Ber. Copper, Gold Plating
 Insulator: PTFE, Natural
 NUT: Brass, Gold Plating
 Lock Washer: Brass, Gold Plating

Electrical Specifications:
 Impedance: 50Ω
 D.W.V: 500 VRMS, Min

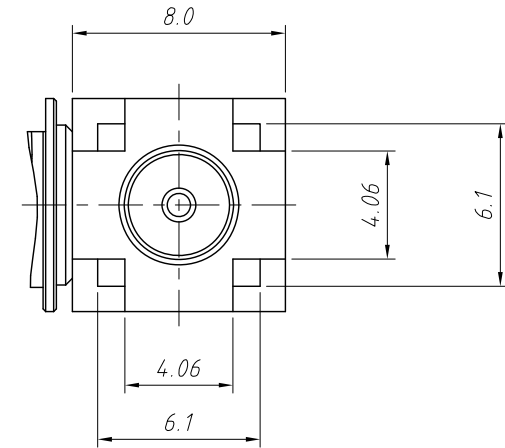
Mechanical Specifications:
 Durability: 500 Cycles Min.
 Temperature Range: -65°C to +165°C
 Max. Panel Thickness 2.4mm



Recommended Mounting Hole Dim's



Recommended PCB Mounting Holes



ANGLE TOLERANCE	PROJECTION	Description:	PCB Mount SMA Connector Right Angle (Jack, Female, 50Ω)
±3°			
GENERAL TOLERANCE	UNITS	mm	KLS P/N: L-KLS1-SMA006A
x.x ±0.30	SHEET SIZE	A4	NingBo KLS ELECTRONIC CO.,L.TD.
x.xx ±0.20	Draw:	Daniel	
x.xxx ±0.10	Check:	Daniel	