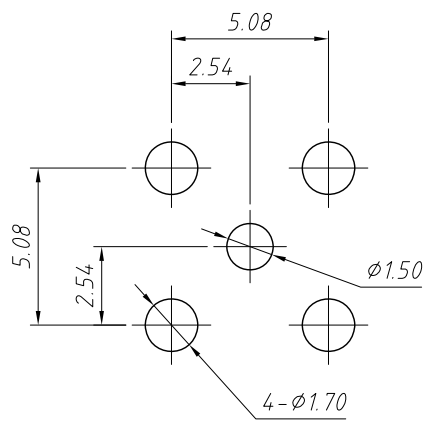
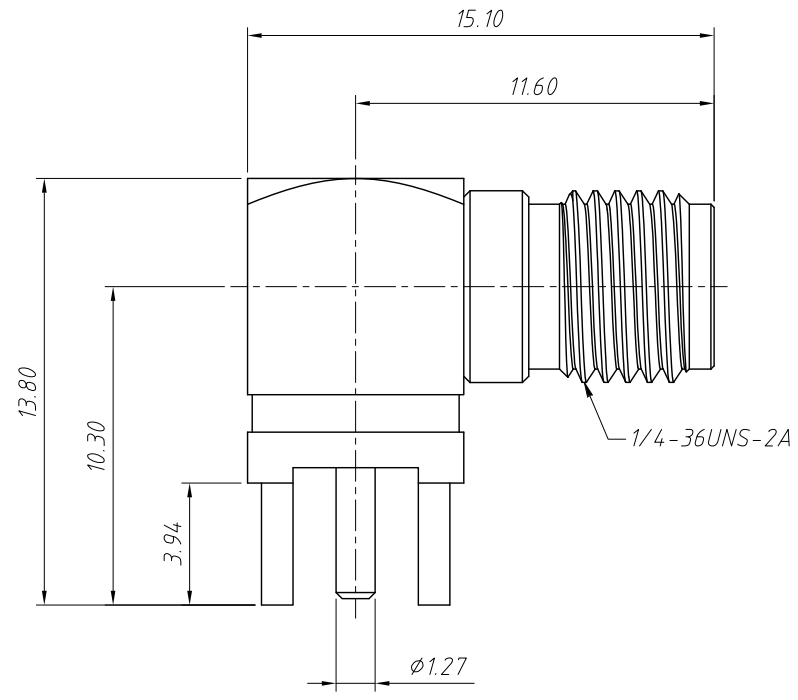
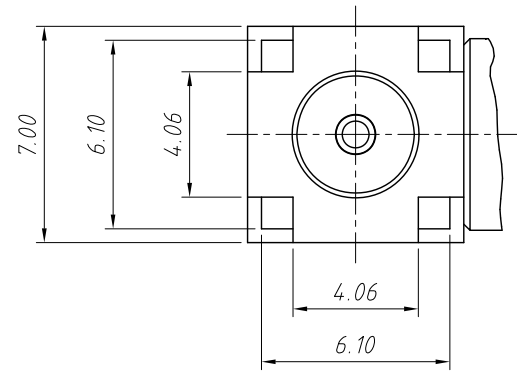
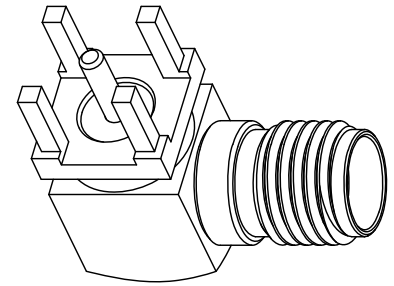


1
RoHS Compliance



PCB Mounting Hole



Material:

Housing With Body: Brass, Gold Plating
 Contact Pin: Ber. Copper, Gold Plating
 Insulator: PTFE, Natural

Electrical Specifications:

Impedance: 50Ω
 VSWR: 1.3 Max.
 Frequency Range: DC 0-6 GHz
 Dielectric Withstanding Voltage: 1000 VRMS, Min

Mechanical Specifications:

Durability: 500 Cycles Min.
 Temperature Range: -65°C to +165°C

ANGLE TOLERANCE	PROJECTION	Description:	PCB Mount SMA Connector Right Angle (Jack, Female, 50Ω)
±3°			
GENERAL TOLERANCE	UNITS	mm	KLS P/N: L-KLS1-SMA002E
x.x ±0.30	SHEET SIZE	A4	NingBo KLS ELECTRONIC CO., L TD.
x.xx ±0.20	Draw:	Daniel 2020-11-11	
x.xxx ±0.10	Check:	Daniel 2020-11-11	