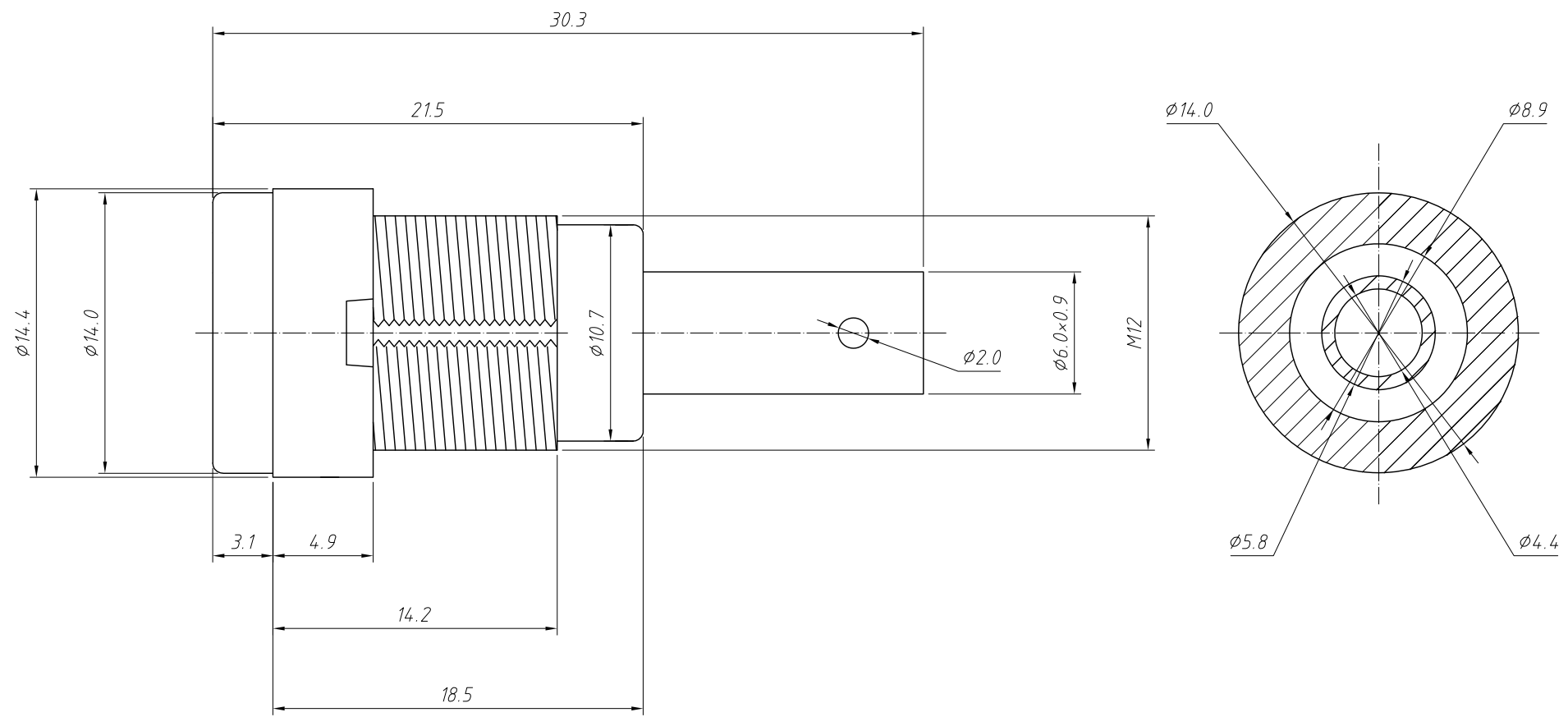


1
RoHS Compliance



ANGLE TOLERANCE	PROJECTION	Description:		
$\pm 3^\circ$		Banana Jack		
GENERAL TOLERANCE	UNITS	mm	KLS P/N:	L-KLS1-BAJ-013-B
x.x ± 0.30	SHEET SIZE	A4	2:1	NingBo KLS ELECTRONIC CO.,LTD.
x.xx ± 0.20	Draw:	Daniel	2018-07-10	
x.xxx ± 0.10	Check:	Daniel	2018-07-10	