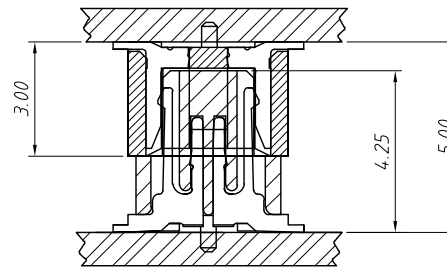
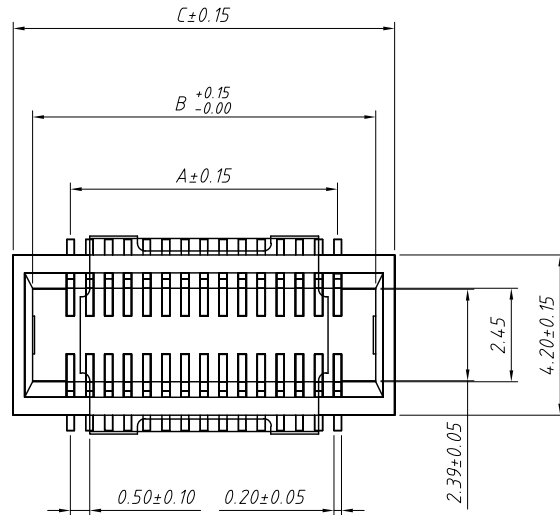


1 RoHS Compliance



Mating Drawing (Ref)

Material and Plated

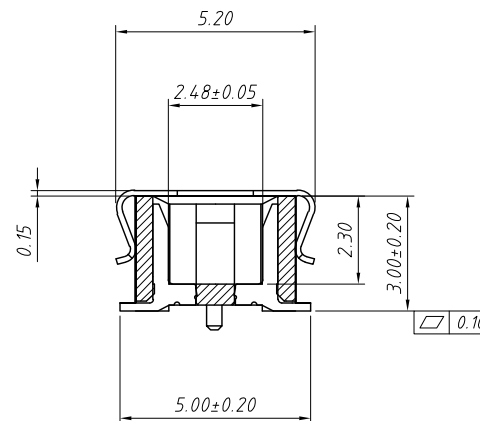
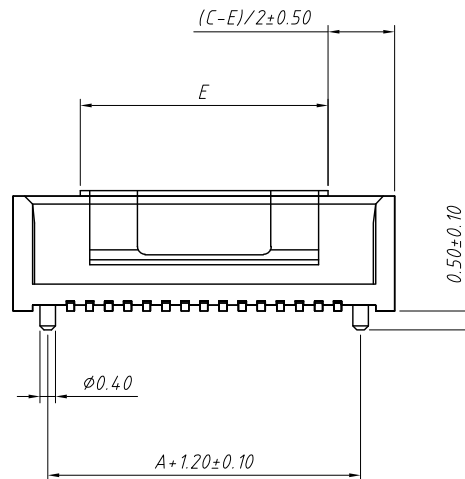
- 1.Housing:High Temp Plastic,(Nylon 9T UL 94V-0) Beige
- 2.Contact:Copper Alloy
- 3.Plated:Gold Plated
- 4.Package :1300pcs/Reel

Specifications:

- 1.Current Rating:0.5A AC/DC
- 2.Voltage Rating:30V AC/DC
- 3.Contact Resistance:30mΩ. max.
- 4.Insulation Resistance:100MΩ. min.
- 5.Withstanding Voltage:100V AC for one minute
- 6.Operating Temperature Range:-40°C to + 105°C

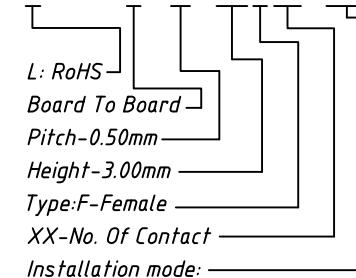
Mating Height Dimension

P/N Plug	P/N Socket	Matting Height
B0305-300F	B0305-425M	5.00
	B0305-320M	4.00



Order Information:

L-KLS1-B0305-300FXX-T3R



T=SMD Without Post, T3=SMD With Post
Packing:R=Reel T=Tube

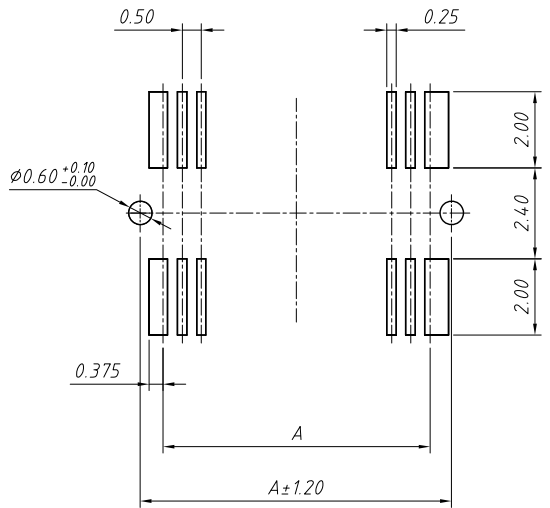
ANGLE TOLERANCE	PROJECTION	Description:	0.5mm Board To Board Plug 3.00mm Height With Metal Tab
±3°			
GENERAL TOLERANCE	UNITS	mm	KLS P/N:
x.x ±0.30	SHEET SIZE	A4	L-KLS1-B0305-300FXX-T3R
x.xx ±0.20	Draw:	Daniel	2020-11-11
x.xxx ±0.10	Check:	Daniel	2020-11-11



NingBo KLS ELECTRONIC CO.,L TD.

1
RoHS Compliance

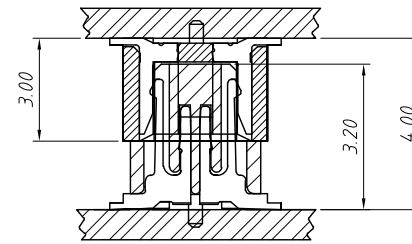
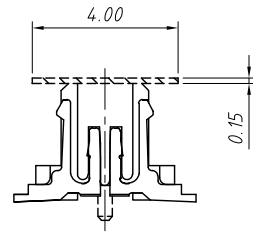
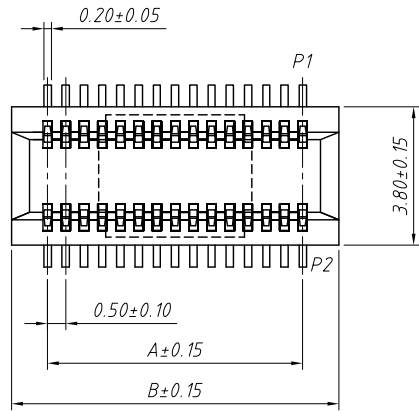
Circuit	A	B	C	Circuit	A	B	C	Circuit	A	B	C
10	2.00	4.00	5.00	36	8.50	10.50	11.50	68	16.50	18.50	19.50
12	2.50	4.50	5.50	40	9.50	11.50	12.50	70	17.00	19.00	20.00
14	3.00	5.00	6.00	42	10.00	12.00	13.00	80	19.50	21.50	22.50
16	3.50	5.50	6.50	44	10.50	12.50	13.50	84	20.50	22.50	23.50
20	4.50	6.50	7.50	48	11.50	13.50	14.50	88	21.50	23.50	24.50
22	5.00	7.00	8.00	50	12.00	14.00	15.00	90	22.00	24.00	25.00
24	5.50	7.50	8.50	54	13.00	15.00	15.50	94	23.00	25.00	26.00
26	6.00	8.00	9.00	56	13.50	15.50	16.50	98	24.00	26.00	27.00
28	6.50	8.50	9.50	58	14.00	16.00	17.00	100	24.50	26.50	27.50
30	7.00	9.00	10.00	60	14.50	16.50	17.50	110	27.00	29.00	30.00
34	8.00	10.00	11.00	64	15.50	17.50	18.50	120	29.00	31.00	32.50



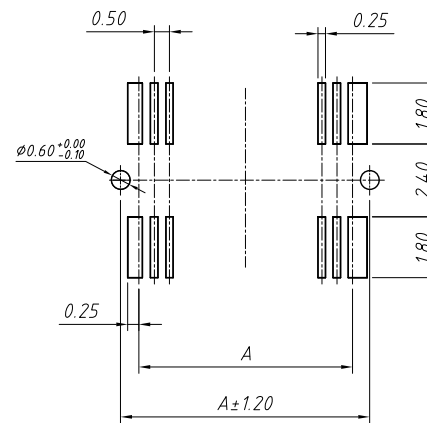
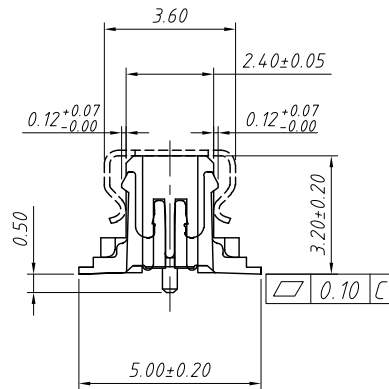
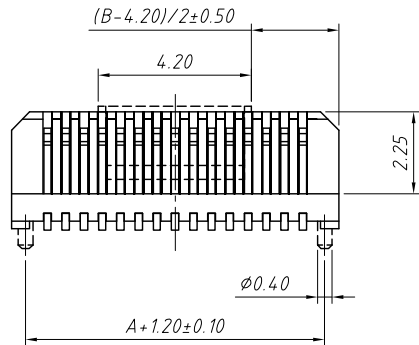
Recommended P.C.B Layout

ANGLE TOLERANCE	PROJECTION	Description:	0.5mm Board To Board Plug 3.00mm Height With Metal Tab
$\pm 3^\circ$			
GENERAL TOLERANCE	UNITS	mm	KLS P/N: L-KLS1-B0305-300FXX-T3R
x.x ± 0.30	SHEET SIZE	A4	NingBo KLS ELECTRONIC CO.,L TD.
x.xx ± 0.20	Draw:	Daniel 2020-11-11	
x.xxx ± 0.10	Check:	Daniel 2020-11-11	

1 RoHS Compliance



Mating Drawing (Ref)



Recommended P.C.B Layout

Circuit	A	B	Circuit	A	B	Circuit	A	B
10	2.00	3.98	36	8.50	10.48	68	16.50	18.48
12	2.50	4.48	40	9.50	11.48	70	17.00	18.98
14	3.00	4.98	42	10.00	11.98	80	19.50	21.48
16	3.50	5.48	44	10.50	12.48	84	20.50	22.48
20	4.50	6.48	48	11.50	13.48	88	21.50	23.48
22	5.00	6.98	50	12.00	13.98	90	22.00	23.98
24	5.50	7.48	54	13.00	14.98	94	23.00	24.98
26	6.00	7.98	56	13.50	15.48	98	24.00	25.98
28	6.50	8.48	58	14.00	15.98	100	24.50	26.48
30	7.00	8.98	60	14.50	16.48	110	27.00	28.98
34	8.00	9.98	64	15.50	17.48	120	29.00	30.98

Material and Plated

- 1.Housing:High Temp Plastic,(Nylon 9T UL 94V-0) Beige
- 2.Contact:Copper Alloy
- 3.Plated:Gold Plated
- 4.Package :1600pcs/Reel

Specifications:

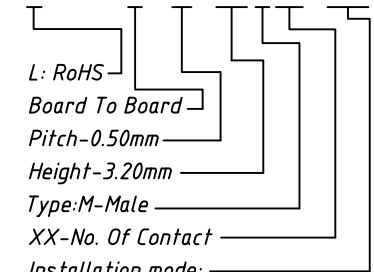
- 1.Current Rating:0.5A AC/DC
- 2.Voltage Rating:30V AC/DC
- 3.Contact Resistance:30mΩ. max.
- 4.Insulation Resistance:100MΩ. min.
- 5.Withstanding Voltage:100V AC for one minute
- 6.Operating Temperature Range:-40°C to + 105°C

Mating Height Dimension

P/N Plug	P/N Socket	Matting Height
B0305-300F	B0305-320M	4.00

Order Information:

L-KLS1-B0305-320MXX-T3R



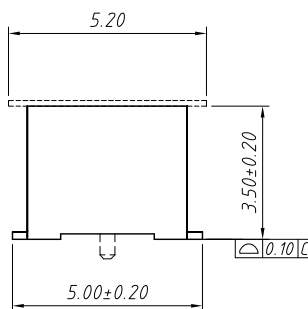
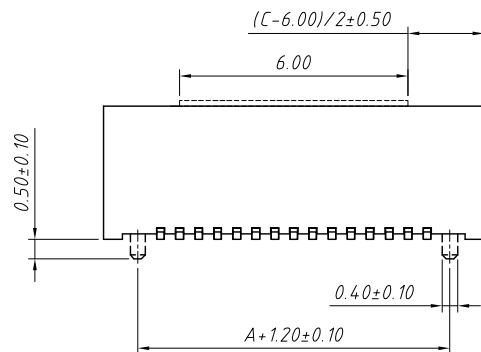
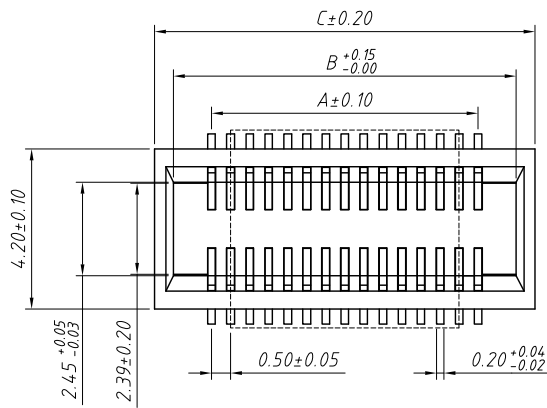
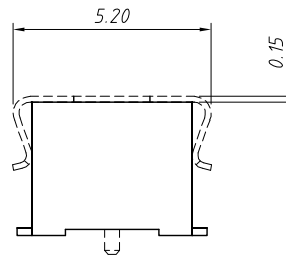
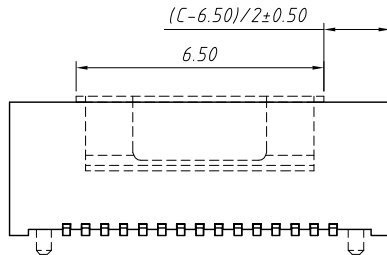
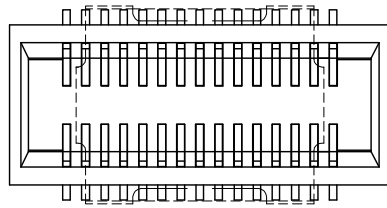
T=SMD Without Post, T3=SMD With Post
Packing:R=Reel T=Tube

ANGLE TOLERANCE	PROJECTION	Description:
±3°		Pitch 0.5mm Board to Board Connector H4.00~7.00mm
GENERAL TOLERANCE	UNITS	mm
x.x ±0.30	SHEET SIZE	A4
x.xx ±0.20	Draw:	Daniel 2020-11-11
x.xxx ±0.10	Check:	Daniel 2020-11-11



NingBo KLS ELECTRONIC CO.,L TD.

RoHS Compliance



Material and Plated

- 1.Housing:High Temp Plastic,(Nylon 9T UL 94V-0) Beige
- 2.Contact:Copper Alloy
- 3.Plated:Gold Plated
- 4.Package :1300pcs/Reel

Specifications:

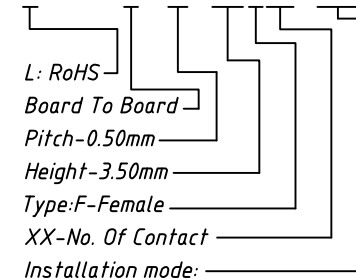
- 1.Current Rating:0.5A AC/DC
- 2.Voltage Rating:30V AC/DC
- 3.Contact Resistance:30mΩ. max.
- 4.Insulation Resistance:100MΩ. min.
- 5.Withstanding Voltage:100V AC for one minute
- 6.Operating Temperature Range:-40°C to + 105°C

Mating Height Dimension

P/N Plug	P/N Socket	Mating Height
B0305-570M	B0305-350F	7.00

Order Information:

L-KLS1-B0305-350FXX-T3R



T=SMD Without Post, T3=SMD With Post
Packing:R=Reel T-Tube

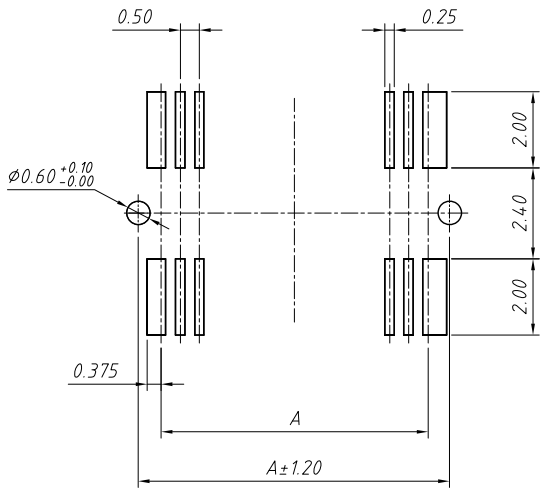
ANGLE TOLERANCE	PROJECTION	Description:	0.5mm Board To Board Plug 3.5mm Height With Metal Tab
±3°			
GENERAL TOLERANCE	UNITS	mm	KLS P/N:
x.x ±0.30	SHEET SIZE	A4	L-KLS1-B0305-350FXX-T3R
x.xx ±0.20	Draw:	Daniel	2020-11-11
x.xxx ±0.10	Check:	Daniel	2020-11-11



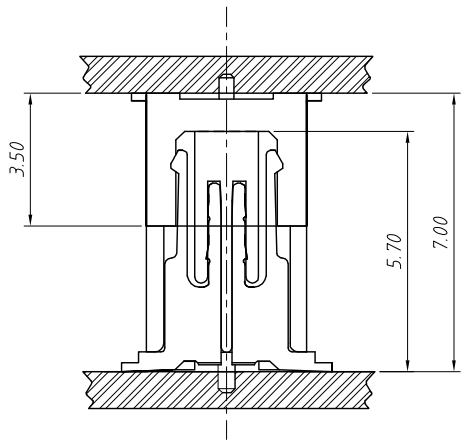
NingBo KLS ELECTRONIC CO.,L TD.

1
RoHS Compliance

Circuit	A	B	C	Circuit	A	B	C	Circuit	A	B	C
10	2.00	4.00	5.00	36	8.50	10.50	11.50	68	16.50	18.50	19.50
12	2.50	4.50	5.50	40	9.50	11.50	12.50	70	17.00	19.00	20.00
14	3.00	5.00	6.00	42	10.00	12.00	13.00	80	19.50	21.50	22.50
16	3.50	5.50	6.50	44	10.50	12.50	13.50	84	20.50	22.50	23.50
20	4.50	6.50	7.50	48	11.50	13.50	14.50	88	21.50	23.50	24.50
22	5.00	7.00	8.00	50	12.00	14.00	15.00	90	22.00	24.00	25.00
24	5.50	7.50	8.50	54	13.00	15.00	15.50	94	23.00	25.00	26.00
26	6.00	8.00	9.00	56	13.50	15.50	16.50	98	24.00	26.00	27.00
28	6.50	8.50	9.50	58	14.00	16.00	17.00	100	24.50	26.50	27.50
30	7.00	9.00	10.00	60	14.50	16.50	17.50	110	27.00	29.00	30.00
34	8.00	10.00	11.00	64	15.50	17.50	18.50	120	29.00	31.00	32.50



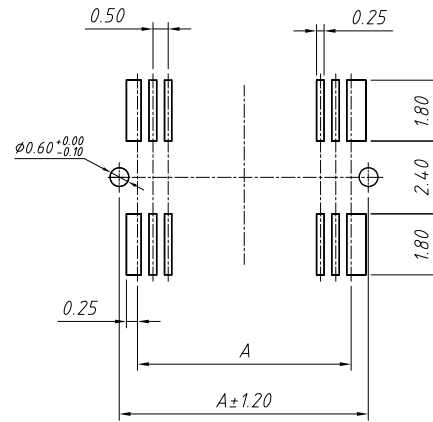
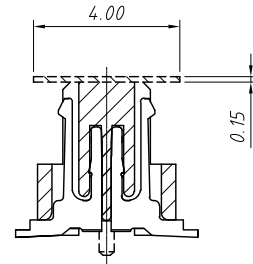
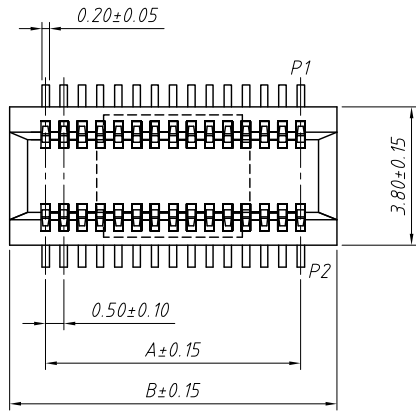
Recommended P.C.B Layout



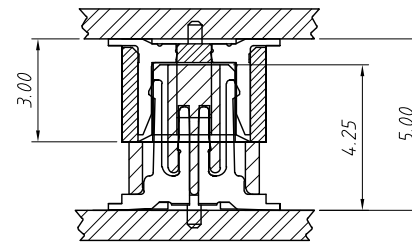
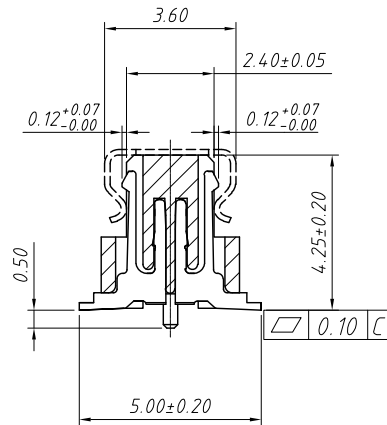
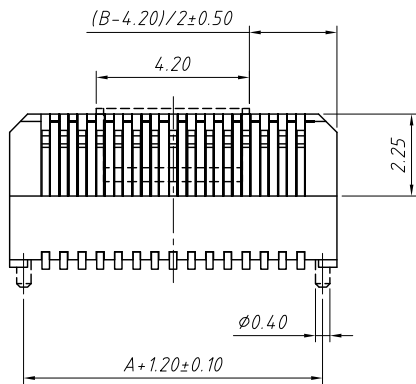
Mating Drawing (Ref)

ANGLE TOLERANCE	PROJECTION	Description:	0.5mm Board To Board Plug 3.5mm Height With Metal Tab
$\pm 3^\circ$			
GENERAL TOLERANCE	UNITS	mm	KLS P/N: L-KLS1-B0305-350FXX-T3R
x.x ± 0.30	SHEET SIZE	A4	NingBo KLS ELECTRONIC CO.,L TD.
x.xx ± 0.20	Draw:	Daniel 2020-11-11	
x.xxx ± 0.10	Check:	Daniel 2020-11-11	

1 RoHS Compliance



Recommended P.C.B Layout



Mating Drawing (Ref)

Material and Plated
 1.Housing:High Temp Plastic,(Nylon 9T UL 94V-0) Beige
 2.Contact:Copper Alloy
 3.Plated:Gold Plated
 4.Package:800pcs/Reel

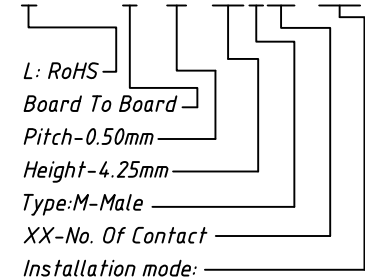
Specifications:
 1.Current Rating:0.5A AC/DC
 2.Voltage Rating:30V AC/DC
 3.Contact Resistance:30mΩ. max.
 4.Insulation Resistance:100MΩ. min.
 5.Withstanding Voltage:100V AC for one minute
 6.Operating Temperature Range:-40°C to + 105°C

Mating Height Dimension

P/N Plug	P/N Socket	Mating Height
B0305-300F	B0305-425M	5.00

Order Information:

L-KLS1-B0305-425MXX-T3R



T=SMD Without Post, T3=SMD With Post
 Packing:R=Reel T-Tube

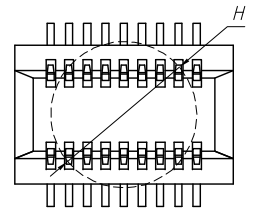
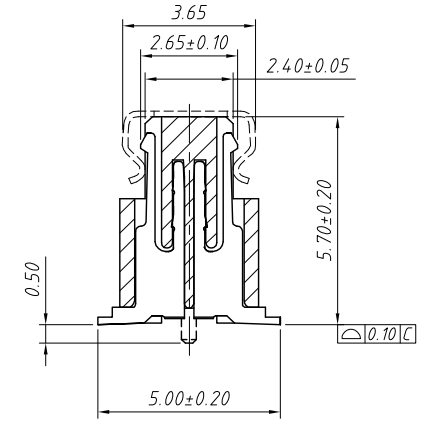
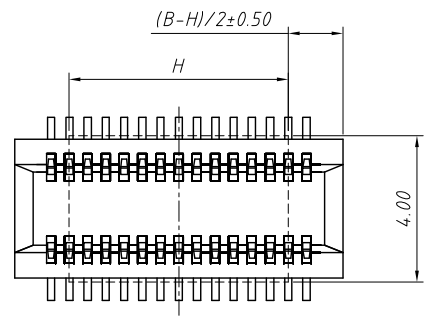
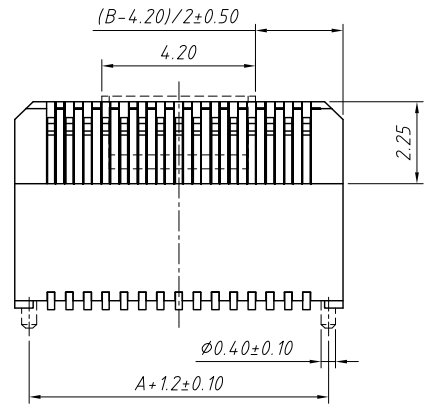
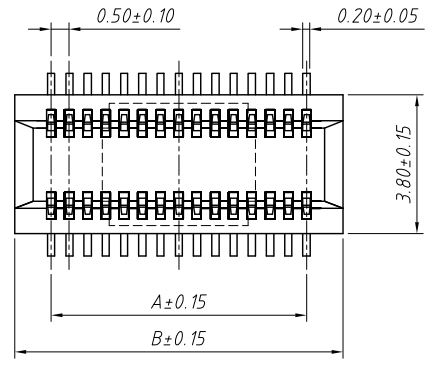
Circuit	A	B	Circuit	A	B	Circuit	A	B
10	2.00	3.98	36	8.50	10.48	68	16.50	18.48
12	2.50	4.48	40	9.50	11.48	70	17.00	18.98
14	3.00	4.98	42	10.00	11.98	80	19.50	21.48
16	3.50	5.48	44	10.50	12.48	84	20.50	22.48
20	4.50	6.48	48	11.50	13.48	88	21.50	23.48
22	5.00	6.98	50	12.00	13.98	90	22.00	23.98
24	5.50	7.48	54	13.00	14.98	94	23.00	24.98
26	6.00	7.98	56	13.50	15.48	98	24.00	25.98
28	6.50	8.48	58	14.00	15.98	100	24.50	26.48
30	7.00	8.98	60	14.50	16.48	110	27.00	28.98
34	8.00	9.98	64	15.50	17.48	120	29.00	30.98

ANGLE TOLERANCE	PROJECTION	Description:
±3°		0.5mm Board To Board Connectors 4.25mm Height With Metal Tab
GENERAL TOLERANCE	UNITS	mm
x.x ±0.30	SHEET SIZE	A4
x.xx ±0.20	Draw:	Daniel 2020-11-11
x.xxx ±0.10	Check:	Daniel 2020-11-11



NingBo KLS ELECTRONIC CO.,L TD.

1
RoHS Compliance



Material and Plated
 1.Housing:High Temp Plastic,(Nylon 9T UL 94V-0) Beige
 2.Contact:Copper Alloy
 3.Plated:Gold Plated
 4.Package:800pcs/Reel

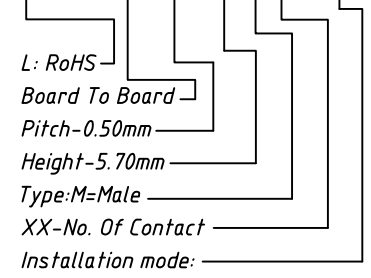
Specifications:
 1.Current Rating:0.5A AC/DC
 2.Voltage Rating:30V AC/DC
 3.Contact Resistance:30mΩ. max.
 4.Insulation Resistance:100MΩ. min.
 5.Withstanding Voltage:100V AC for one minute
 6.Operating Temperature Range:-40°C to + 105°C

Mating Height Dimension

P/N Plug	P/N Socket	Mating Height
B0305-570M	B0305-350F	7.00

Order Information:

L-KLS1-B0305-570MXX-T3R



T=SMD Without Post, T3=SMD With Post
 Packing:R=Reel T-Tube

ANGLE TOLERANCE	PROJECTION	Description:
±3°		0.5mm Board To Board Socket 5.7mm Height With Metal Tab
GENERAL TOLERANCE	UNITS	mm
x.x ±0.30	SHEET SIZE	A4
x.xx ±0.20	Draw:	Daniel 2020-11-11
x.xxx ±0.10	Check:	Daniel 2020-11-11



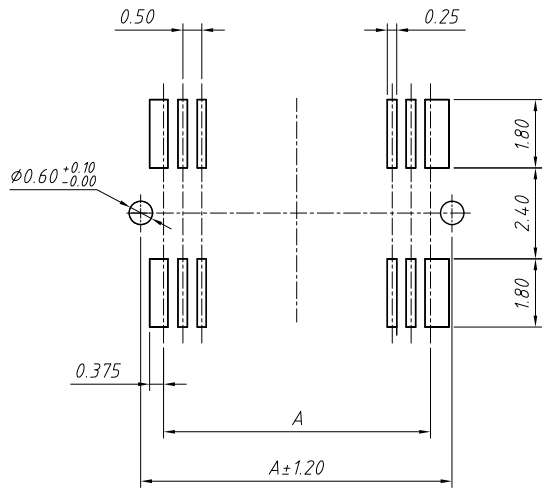
NingBo KLS ELECTRONIC CO.,L TD.

1
RoHS Compliance

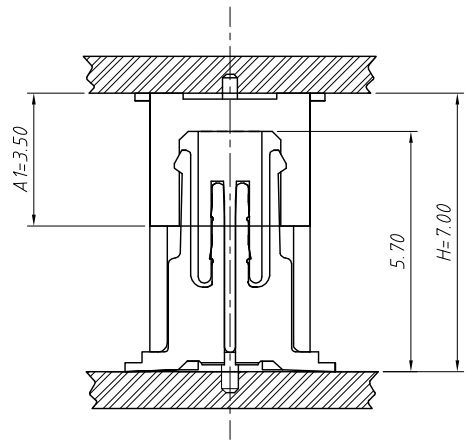
Circuit	A	B
10	2.00	3.98
12	2.50	4.48
14	3.00	4.98
16	3.50	5.48
20	4.50	6.48
22	5.00	6.98
24	5.50	7.48
26	6.00	7.98
28	6.50	8.48
30	7.00	8.98
34	8.00	9.98

Circuit	A	B
36	8.50	10.48
40	9.50	11.48
42	10.00	11.98
44	10.50	12.48
48	11.50	13.48
50	12.00	13.98
54	13.00	14.98
56	13.50	15.48
58	14.00	15.98
60	14.50	16.48
64	15.50	17.48

Circuit	A	B
68	16.50	18.48
70	17.00	18.98
80	19.50	21.48
84	20.50	22.48
88	21.50	23.48
90	22.00	23.98
94	23.00	24.98
98	24.00	25.98
100	24.50	26.48
110	27.00	28.98
120	29.00	30.98



Recommended P.C.B Layout



Mating Drawing (Ref)

ANGLE TOLERANCE	PROJECTION	Description:	0.5mm Board To Board Socket 5.7mm Height With Metal Tab
±3°			
GENERAL TOLERANCE	UNITS	mm	KLS P/N:
x.x ±0.30	SHEET SIZE	A4	L-KLS1-B0305-570MXX-T3R
x.xx ±0.20	Draw:	Daniel	2020-11-11
x.xxx ±0.10	Check:	Daniel	2020-11-11

