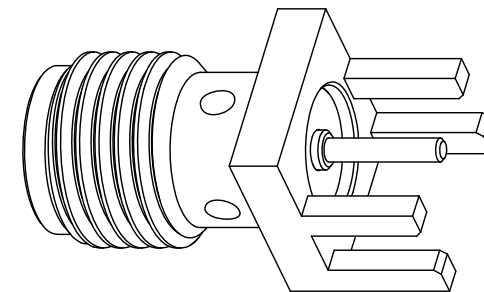
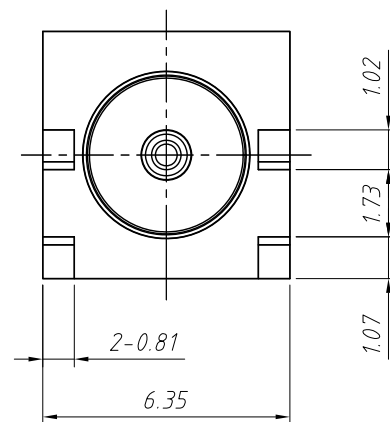
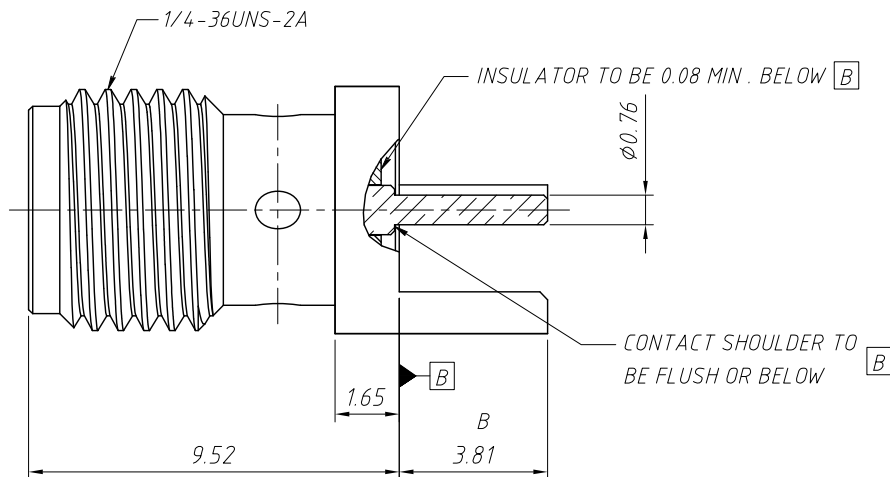


1 RoHS Compliance

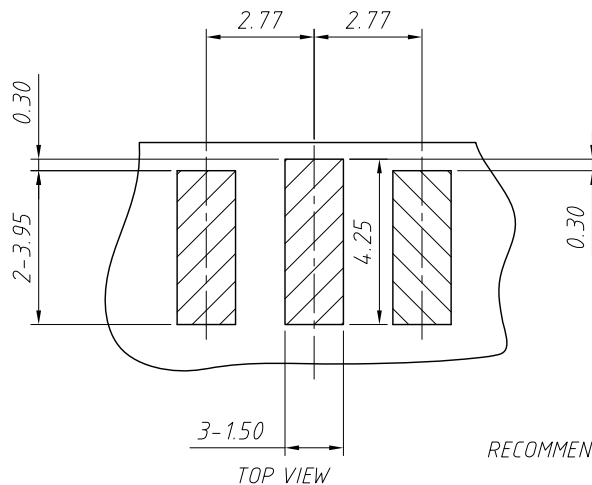


**Material:**  
 Body: Brass, Gold Plating  
 Contact Pin: Ber. Copper, Gold Plating  
 Insulator: PTFE, Natural

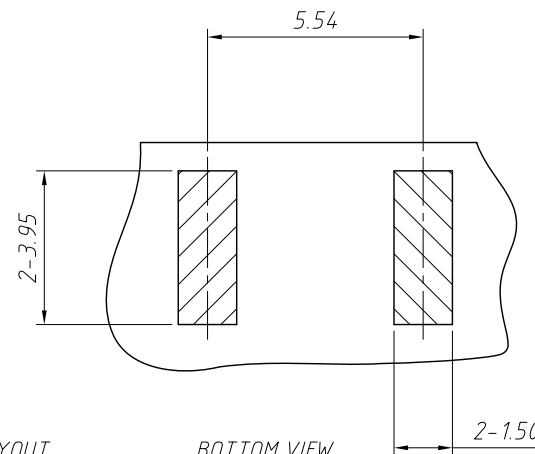
**Electrical:**  
 Impedance: 50Ω  
 Frequency Range Max: DC - 18 GHz  
 VSWR: 1.3 Max  
 Dielectric Withstanding Voltage: 1500 VRMS Min.

**Mechanical:**  
 Board Thickness: 1.57mm  
 Durability: 500 Cycles Min.

Contact Pin Must Withstand 6 Lbs Min.  
 Axial In Both Directions And 4 In-OZ Min. Radial Force



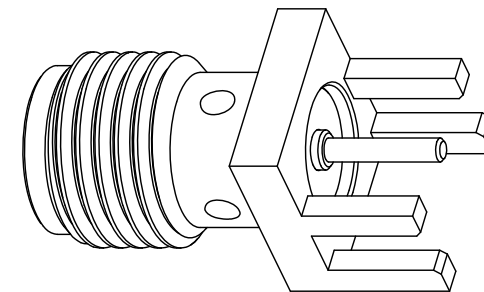
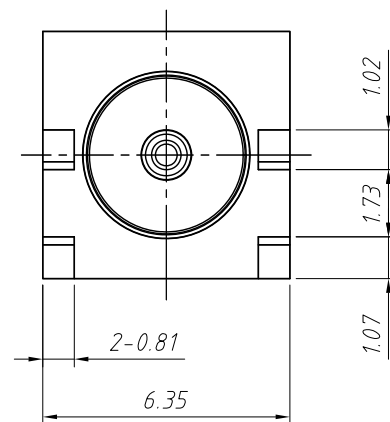
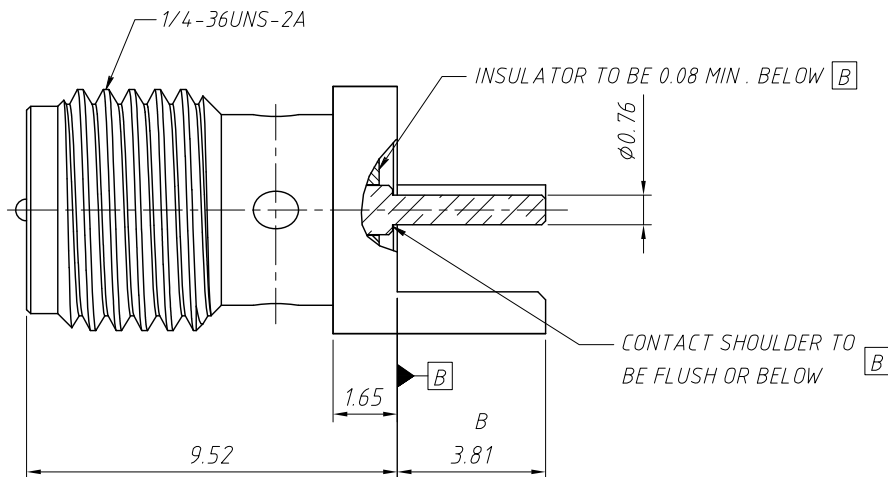
RECOMMENDED PCB LAYOUT



BOTTOM VIEW

ANGLE TOLERANCE	PROJECTION	Description:	RF Connector SMA PCB End Launch Jack 50Ω (Jack, Female & Male)	
±3°				
GENERAL TOLERANCE	UNITS	mm	KLS P/N:	L-KLS1-SMA150 (Female)
x.x ±0.30	SHEET SIZE	A4		
x.xx ±0.20	Draw:	Daniel	2020-11-11	NingBo KLS ELECTRONIC CO.,L TD.
x.xxx ±0.10	Check:	Daniel	2020-11-11	

1 RoHS Compliance

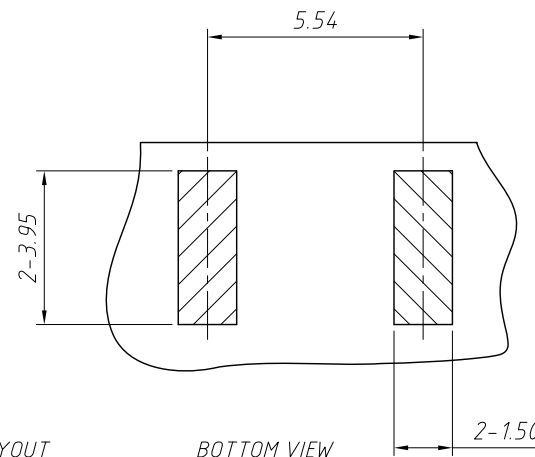
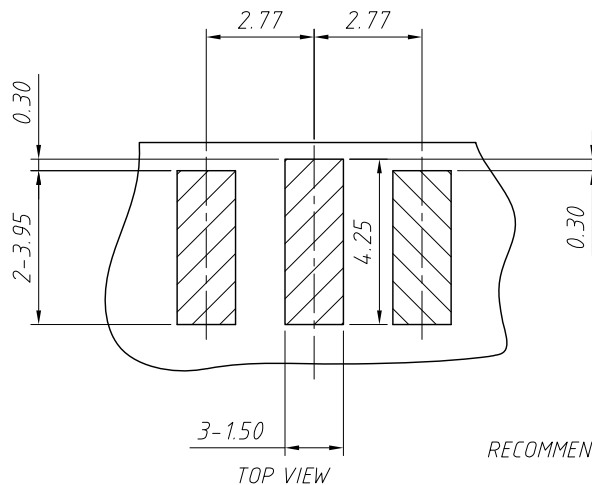


**Material:**  
 Body: Brass, Gold Plating  
 Contact Pin: Ber. Copper, Gold Plating  
 Insulator: PTFE, Natural

**Electrical:**  
 Impedance: 50Ω  
 Frequency Range Max: DC - 18 GHz  
 VSWR: 1.3 Max  
 Dielectric Withstanding Voltage: 1500 VRMS Min.

**Mechanical:**  
 Board Thickness: 1.57mm  
 Durability: 500 Cycles Min.

Contact Pin Must Withstand 6 Lbs Min.  
 Axial In Both Directions And 4 In-OZ Min. Radial Force



ANGLE TOLERANCE	PROJECTION	Description:	RF Connector SMA PCB End Launch Jack 50Ω (Jack, Female & Male)	
±3°				
GENERAL TOLERANCE	UNITS	mm	KLS P/N:	L-KLS1-SMA150B (Male)
x.x ±0.30	SHEET SIZE	A4		
x.xx ±0.20	Draw:	Daniel	2020-11-11	NingBo KLS ELECTRONIC CO.,L TD.
x.xxx ±0.10	Check:	Daniel	2020-11-11	