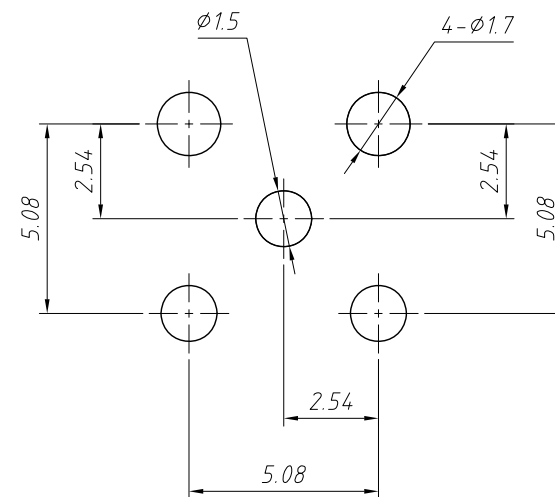
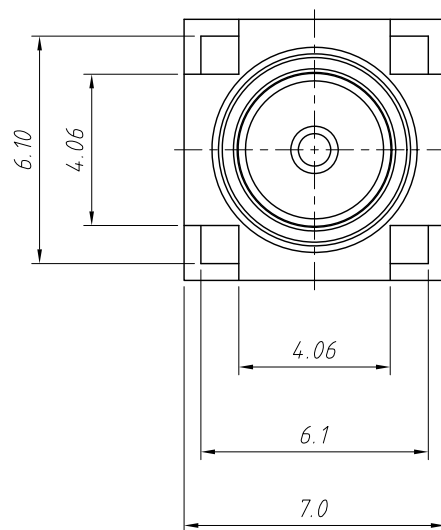
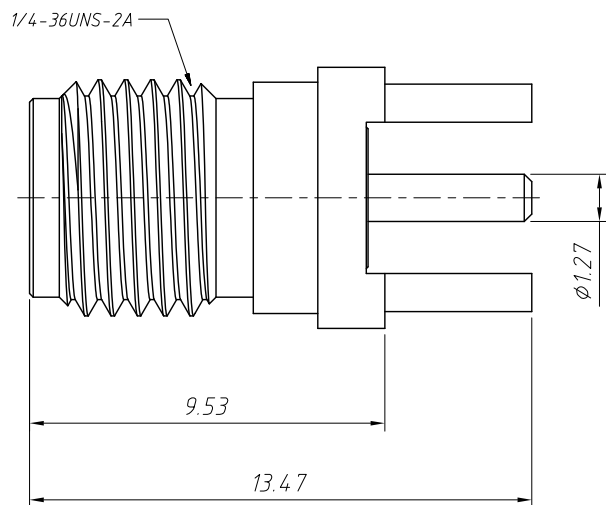


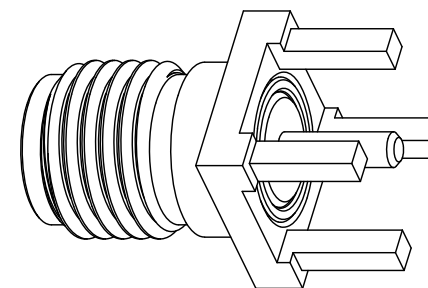
1
RoHS Compliance



Material:
 Body: Brass, Gold Plating
 Insulator: PTFE, Natural
 Contact: Ber. Copper, Gold Plating

Electrical:
 Impedance: 50Ω
 Frequency Range: DC-18 GHz
 D.W.V: 1000 VRMS. MIN.

Mechanical:
 Durability: 500 Cycles Min.
 Temperature Range: -65°C to +165°C



ANGLE TOLERANCE	PROJECTION	Description:	PCB Mount SMA Connector Straight (Jack, Female, 50Ω)
±3°			
GENERAL TOLERANCE	UNITS	mm	KLS P/N: L-KLS1-SMA253
x.x ±0.30	SHEET SIZE	A4	NingBo KLS ELECTRONIC CO.,L TD.
x.xx ±0.20	Draw:	Daniel 2020-11-11	
x.xxx ±0.10	Check:	Daniel 2020-11-11	