

1
RoHS Compliance

2 3 4 5 6 7 8

A

B

C

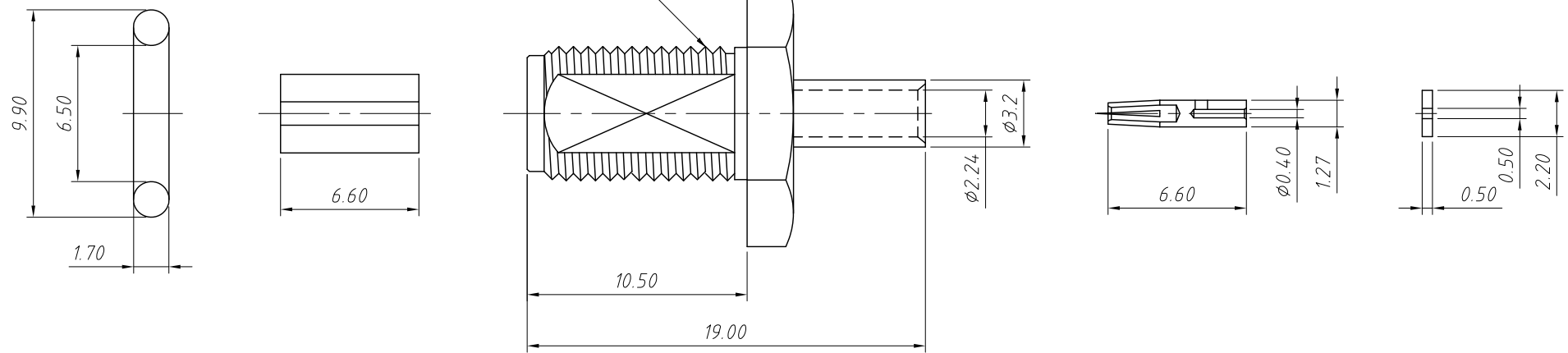
D

E

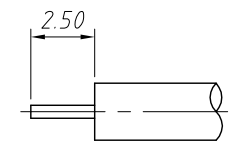
F

G

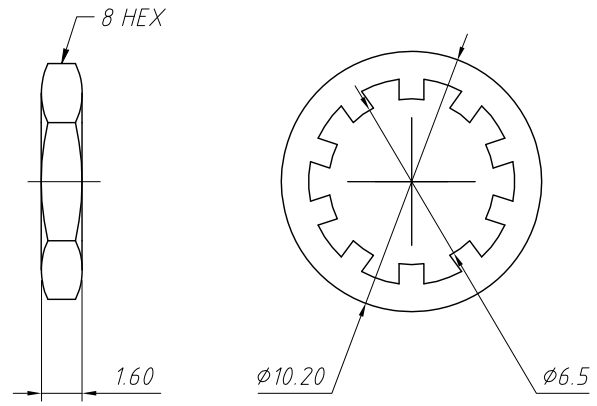
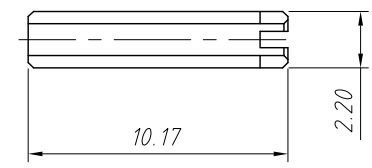
H



Material:
 Body: Brass, Gold Plating
 Insulator: Teflon, Natural
 Contact: Ber. Copper, Gold Plating
 Lock Washer: Brass, Gold Plating
 HEX Nut: Brass, Gold Plating
 Solder Nut: Brass, Gold Plating
 Gasket, Silicone, Red



RECOMMENDED CABLE STRIPPING DIMS



Electrical:
 Impedance: 50Ω

Mechanical:
 Durability: 500 Cycles Min.
 Temperature Range: -65°C to +165°C

Notes:
 Contact Pin To Solder
 Max. Panel Thickness=2.4mm

ANGLE TOLERANCE	PROJECTION	Description: Panel Mount SMA Cable Connector Straight (Jack, Female, 50Ω)		
±3°				
GENERAL TOLERANCE	UNITS	mm	KLS P/N:	L-KLS1-SMA130
x.x ±0.30	SHEET SIZE	A4		
x.xx ±0.20	Draw:	Daniel	2020-11-11	
x.xxx ±0.10	Check:	Daniel	2020-11-11	

NingBo KLS ELECTRONIC CO., L TD.

1 2 3 4 5 6 7 8