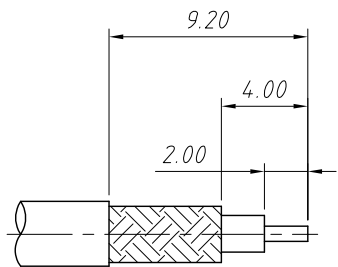
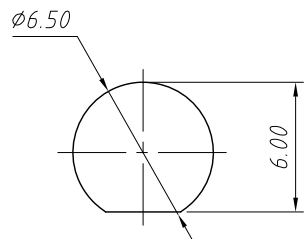


1
RoHS Compliance



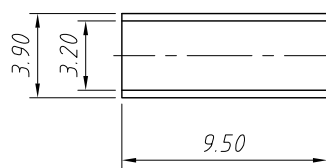
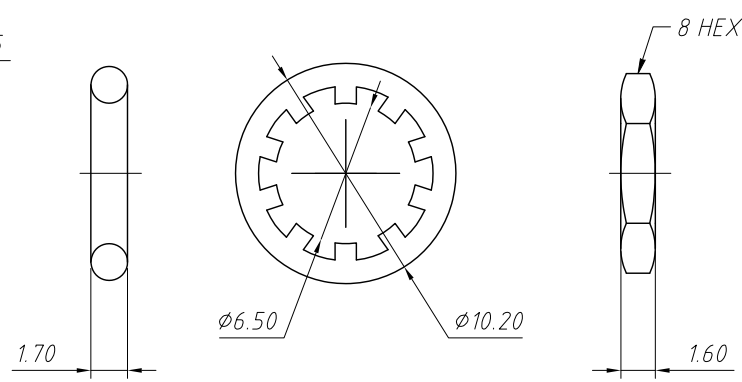
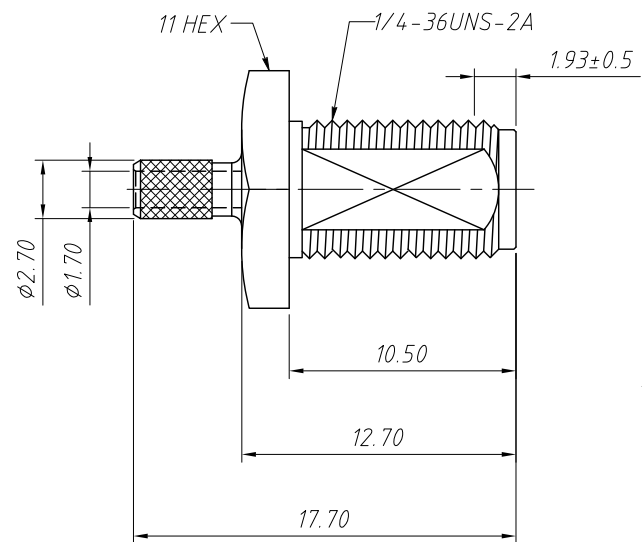
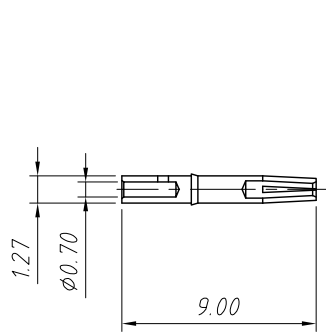
RECOMMENDED CABLE STRIPPING DIMS



RECOMMENDED MOUNTING HOLE

Material:
 Body: Brass, Gold Plating
 Insulator: PTFE, Natural
 Contact: Ber. Copper, Gold Plating
 Lock Washer: Brass, Gold Plating
 HEX Nut: Brass, Gold Plating
 Gasket: Silicone, Red
 Ferrule: Copper, Gold Plating

Electrical:
 Impedance: 50Ω
Mechanical:
 Durability: 500 Cycles Min.
 Temperature Range: -65°C to +165°C
Note:
 Crimped Ferrule HEX Crimp
 Contact Pin TO Solder



ANGLE TOLERANCE	PROJECTION	Description:	Panel Mount SMA Cable Connector Straight (Jack, Female, 50Ω)	
±3°				
GENERAL TOLERANCE	UNITS	mm	KLS P/N:	L-KLS1-SMA122
x.x ±0.30	SHEET SIZE	A4		
x.xx ±0.20	Draw:	Daniel	2020-11-11	NingBo KLS ELECTRONIC CO.,LTD.
x.xxx ±0.10	Check:	Daniel	2020-11-11	